

Range Service Manual

2010



 **Atwood**[®]
Atwood Mobile Products LLC



INTRODUCTION

The 2010 edition of the Atwood Range Service Manual is a resource created to help service technicians identify Atwood product by serial number, diagnose service problems and efficiently and effectively process warranty claims.

Each of the manuals within this series offers a general overview of the product as well as more specific product information. For the range product within this manual, you will find model identification, sequence of operation, part identification and troubleshooting guides, warranty procedures, flat rate schedules, and replacement part reference charts.

Due to the rapidly changing personal computer revolution, we have placed troubleshooting information in a variety of places to make sure that the most accurate information is available. The best place to find the current information about Atwood products is our website: www.atwoodmobile.com. At our website brochures may be downloaded, trouble shooting guides reviewed and the latest information bulletins can be read. In addition, all Atwood Authorized Service Centers are listed on our site, accessible via an easy-to-use search system.

Service for all Atwood products is handled out of our Elkhart Indiana location. Should you have any questions regarding our products or the information contained in this manual simply dial our **Toll Free # 1-800-546-8759** and select option 5 or call **Service** direct at, toll free, **1-866-869-3118**. **Be sure to have the Model and Serial Numbers when you call.**

Atwood Service Department

TABLE OF CONTENTS

INTRODUCTION.....	2
TABLE OF CONTENTS.....	3
COOKING APPLIANCE TERMINOLOGY.....	4
MODEL NUMBER IDENTIFICATION.....	5
GAS COMPONENT IDENTIFICATION PICTORALS.....	6-7
SEQUENCE OF OPERATION-PRIOR TO MODEL 33.....	8
SEQUENCE OF OPERATION-MODELS 33, 34, 35, 20 & 21.....	9
TROUBLE SHOOTING GUIDE.....	10-11
INSTALLATION (Ranges & Slide-ins)	
Cabinet and counter cut-out requirements.....	12
Recessed bi-fold cut-out requirement.....	12
Electronic ignition schematic.....	12
Range hood mounting information.....	12
PART DIAGRAMS AND PART NUMBERS (Ranges & Slide-ins)	
Model 33, RV/CV and RA/CA	13-14
Model 34, RV/CV and RA/CA.....	15-16
Model 20, RV/CV.....	17-18
Model 35, RV/CV and RA/CA.....	19-20
Model 21, RV/CV.....	21-22
Bi-Fold Covers and cut-out requirements.....	23
INSTALLATION (Drop-ins)	
Cabinet and counter cut-out requirements.....	24
PART DIAGRAMS AND PART NUMBERS (Drop-ins)	
Covers for DV Drop-in Models.....	24
Model DV20 and DV30.....	25
WARRANTY.....	26
EXTENDED WARRANTY.....	27
ATWOOD RETURN GOODS PROGRAM.....	28
WARRANTY SERVICE REPORT.....	29
FLAT RATE SCHEDULE.....	30

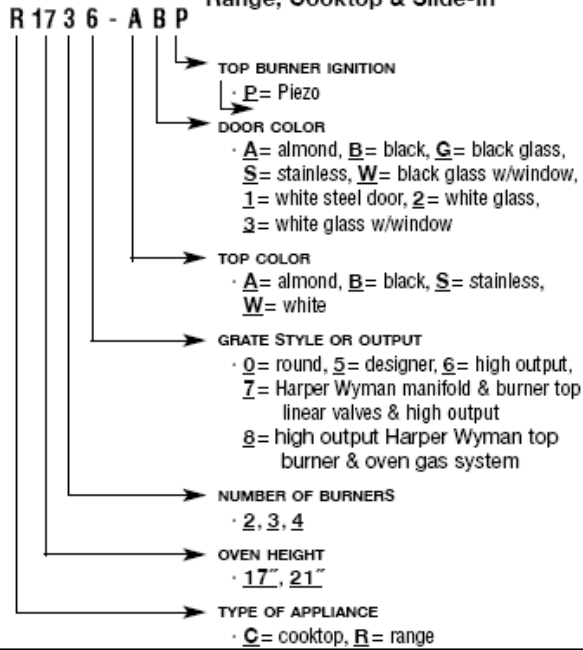
INFORMATION NOTICES

Cooking Appliance Terminology

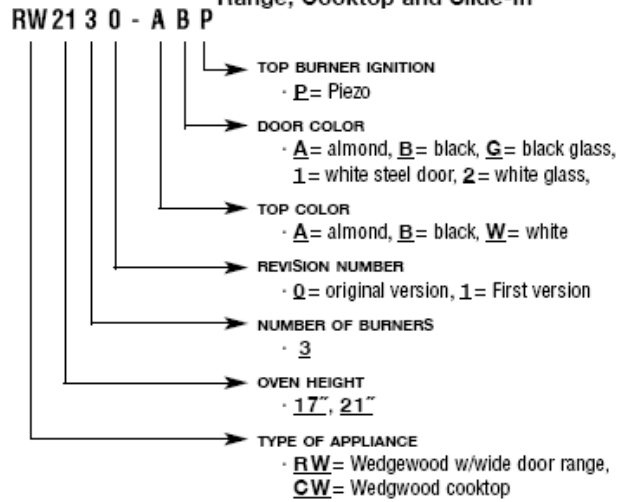
Terminology	Definition	Terminology	Definition
ANSI	American National Standard for Recreation Vehicle Cooking Gas Appliances	Piezo Igniter	An electro-mechanical device that can be used to ignite a top burner.
Burner Electrode	The spark source to light top burners with piezo/12 VDC electronic ignition. Replaceable for 33 range series.	Pilot Orifice	A precision drilled thimble shaped component that meters gas flow to the pilot.
Calibration	The condition that determines whether the thermostat is registering temperatures properly.	Regulator	Device that reduces the high pressure from the LP bottles to a lower pressure for the appliances.
CSA	Certification Agency (Canadian Standards Association)	Sealed Burner	A burner head attached directly to the porcelain main top which prevents spilling to the burner box.
Electronic Ignition	12v DC module activated by switch to ignite top burners.	Standby Pilot	The oven pilot that burns constantly and provides the base for the heater pilot.
Main Burner Orifice	A precision drilled thimble shaped component that meters gas flow to the main burner.	Thermal Bulb	The bulb located in the oven and connected to the thermostat that contains thermal fluid and causes the thermostat to close and open based on the set cooking temperature.
Manifold	The constantly pressurized tube or pipe that supplies gas to the burner valves.	Thermocouple	Senses pilot flame for the oven and controls safety valve and thermostat.
Oven Thermostat	It is the component that regulates the temperature of the oven at the desired cooking temperature and supplies gas for both the standby and heater pilots.	Yellow Tipping	A burner flame with excessive yellow tipping can be caused by improper gas/air mixture. Caused by improper alignment or restriction of orifice and venturi tube.

Model Number Identification

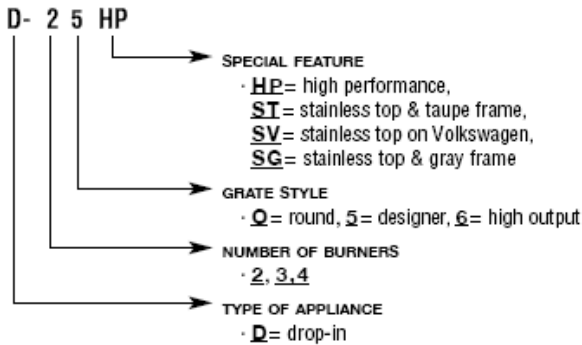
NARROW DOOR - OLD WEDGEWOOD - Range, Cooktop & Slide-In



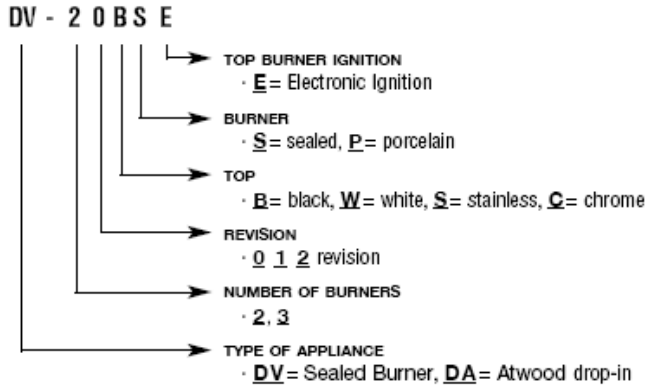
WIDE DOOR - OLD WEDGEWOOD - Range, Cooktop and Slide-In



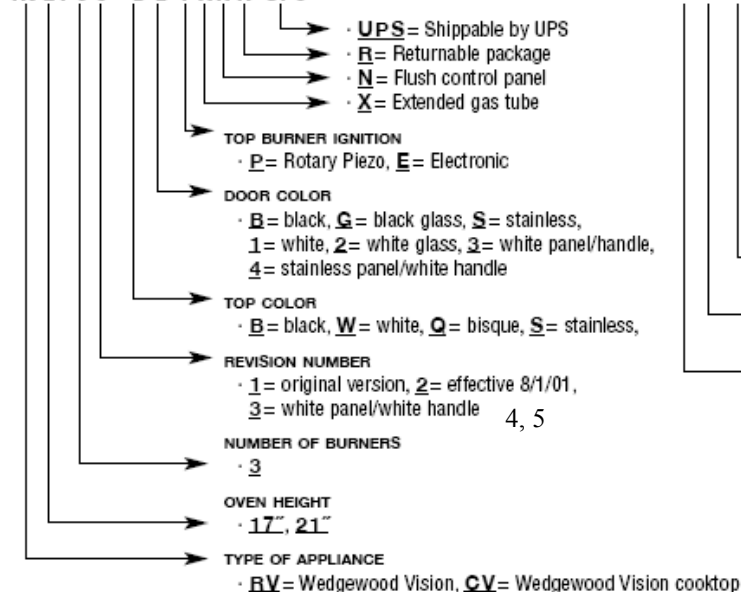
OLD WEDGEWOOD - Drop-In Cooktop



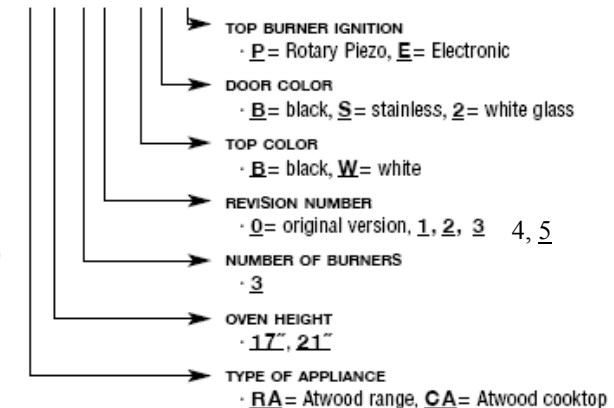
ATWOOD (DV)- OLD ATWOOD (DA) Drop-In Cooktop with Open Burners



WEDGEWOOD VISION - Range, Cooktop & Slide-In



ATWOOD - Range (Oven & Cooktop w/Sealed Burners) & Slide In

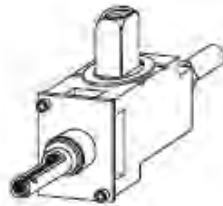


Range & Oven Gas Components

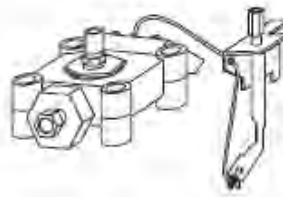
Robertshaw



Oven Control /
Thermostat



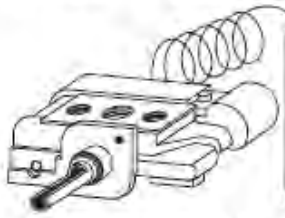
Burner Valve



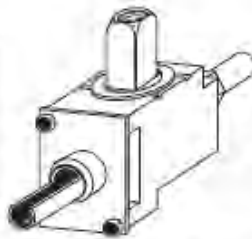
Safety Pilot Valve

- The top burner components mounted on a silver square manifold.
- Ranges in the serial number sequence WT30000 through W840000 used either this system or the Harper Wyman System.
- On a Robertshaw system the following exists:
 - a. the face of the oven control says R.C.C. (Robertshaw Control Company)
 - b. the lowest temperature on oven knob is 170°
 - c. the face plate of oven control and burner valves have silver torx head screws.

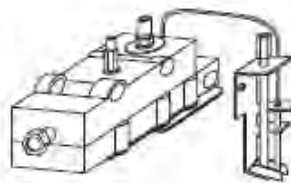
Harper Wyman



Oven Control /
Thermostat



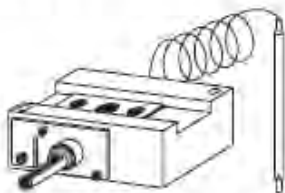
Maxi Burner Valve



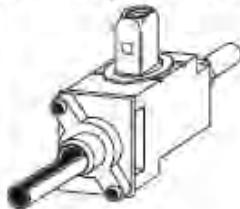
Safety Pilot Valve

- The top burner components mounted on a silver square manifold.
- Ranges in the serial number sequence WT30000 through W840000 used either this system or the Robertshaw System.
- On a Harper Wyman the following pertains:
 - a. the face of the oven control says H.W. (Harper Wyman)
 - b. the lowest temperature on oven knob is 140°
 - c. the face plate screws on the burner and oven valves are black and have octagonal heads.

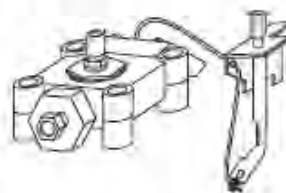
Combination - Harper Wyman/Robertshaw



Robertshaw Oven
Control / Thermostat



Harper Wyman Mini
Burner Valve



Robertshaw Safety
Pilot Valve

- Products whose model number is R or C ___7-___ have combined system (R2137-A).
- Top burner system is Harper Wyman
- Lowest temperature on oven knob is 170°
- Oven control system is Robertshaw

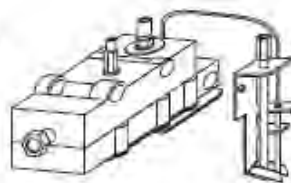
Harper Wyman



Harper Wyman Oven
Control / Thermostat



Harper Wyman Mini
Burner Valve



Safety Pilot Valve

- Ranges whose model number is R ___ 8- 32 have a complete Harper Wyman range valve system
- Cooktops whose model number is C ___ 8- 32 to current model have a complete Harper Wyman valve system
- Top burners are Harper Wyman and linear.
- Lowest temperature on oven knob is 170°
- Oven control and safety pilot valve are also Harper Wyman.

Copreci

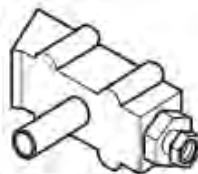
- Mercury free.



Copreci Oven
Thermostat



Burner Valve



Orifice Block

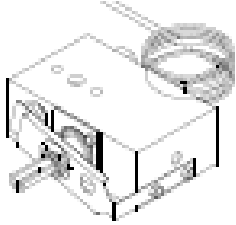


Pilot Assembly

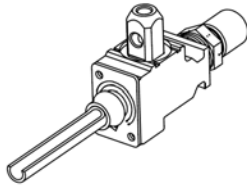
- Ranges whose model number is R ___ 3 have a Copreci oven thermostat with Mueller burner valves for the stove top.
- Lowest temperature on oven knob is 300°
- Slide-ins whose model number is C_3 have Mueller burner valves.
- Pilot assembly is White Rodgers

Burner Systems International

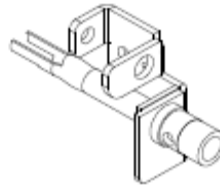
- Mercury Free



Oven Thermostat



Burner Valve



Pilot Assembly

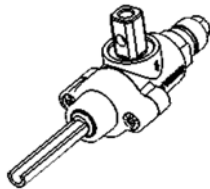
- Ranges with model numbers R___34
- Lowest Temp on oven knob is 300°F.
- Burner valve also used in slide-in(s) with model number C_34 and C_20

Seven Universe

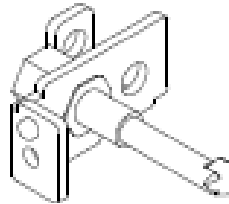
- Mercury Free



Oven Thermostat



Burner Valve



Pilot Assembly

- Ranges with model numbers R___35 and R___21.
- Lowest temp on oven knob is 300°F.
- Burner valve also used in slide-in(s) with model number C_35 and C_21.

Gas Regulator—Used in all Atwood Ranges, slide-ins and drop-ins. Seven Universe



Regulates gas pressure to nominal 10" W.C.

Replaces all previous brands including Harper Wyman, Maxitrol, Oara, and BSI.

Sequence of Operation - Prior to Model 33

Standard Pressure Regulator - this valve receives up to 13" W.C. pressure gas from LP bottles, and reduces it to 10" W.C. for the manifold.



Manifold - a continually pressurized pipe distributing gas to top burner valves and oven valve.



Oven Thermostat - supplies gas to the oven pilot, the safety pilot valve, and regulates the oven temperature.



PILOT ASSEMBLY

Standby Pilot - with the oven knob placed in the pilot position, the oven valve will supply gas to the pilot assembly. This standby pilot will stay lit until the oven knob is turned to the OFF position. It also supplies the gas for the heater pilot.



Heater Pilot - on initial start-up, when the oven thermostat knob is turned to the desired temperature, the volume of gas increases from the thermostat and the smaller standby pilot increases to a larger heater pilot flame. This higher pilot flame heats the thermocouple thereby opening the safety pilot valve to allow gas to flow to the oven burner. The heater pilot thereafter only comes on when the thermostat calls for heat.



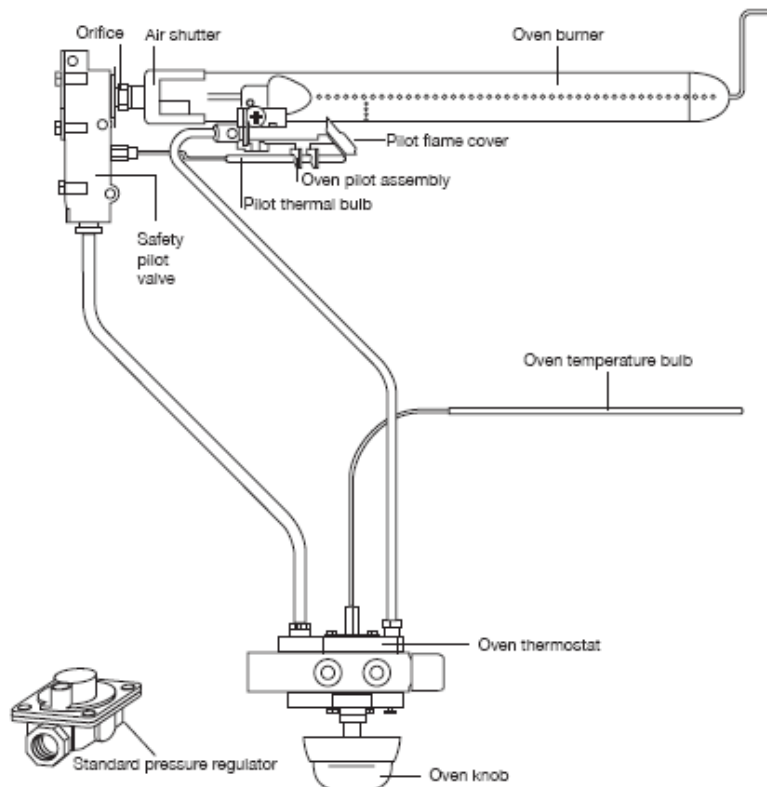
Safety Pilot Valve - controls the gas flow to the oven burner. The valve is operated by a thermal bulb located over the heater pilot. When this bulb is heated, it opens the safety pilot valve which then supplies gas to the oven burner.



Oven Thermostat - senses oven temperature by means of a thermal bulb located in the top of the oven. The oven control knob is set to the desired temperature calling for heat, the fluid expands in this bulb, opens a seat in the thermostat and supplies gas to the safety pilot for the higher heater pilot. This heater pilot initiates the process for starting the oven burner as described above. When the oven temperature is satisfied, the fluid in this bulb decreases which closes a seat in the oven valve and throttles the pilot size down to the standby pilot mode thereby shutting the oven burner OFF. This cycle will continue until the range is turned off.

- The temperature tolerance of the thermostat is $\pm 25^{\circ}\text{F}$.
- The oven burner will come on approximately 1-1/2 minutes from a cold start and 10 seconds from a hot start.
- The oven burner may cycle during the broil mode.

Component Identification



Sequence of Operation—Models 33, 34 and 35

Standard Pressure Regulator— This valve receives up to 13" W.C. gas pressure from regulated LP systems and reduces the pressure to 10" W.C. to the manifold.



Manifold—a continually pressurized pipe distributing gas to top burner valves and oven thermostat.



Oven Thermostat— supplies gas to the oven pilot, and main burner; regulates oven temperature.



Pilot Assembly— consists of a thermocouple and a pilot hood where gas passing through the orifice is directed toward the oven burner pilot holes. The user holds the magnet in initially by pushing the knob in at the "pilot/push/hold" rotation and manually lighting the pilot. After approximately 5 seconds, the thermocouple input will hold the magnet in the open position and the user can release the knob and adjust to the desired temperature.



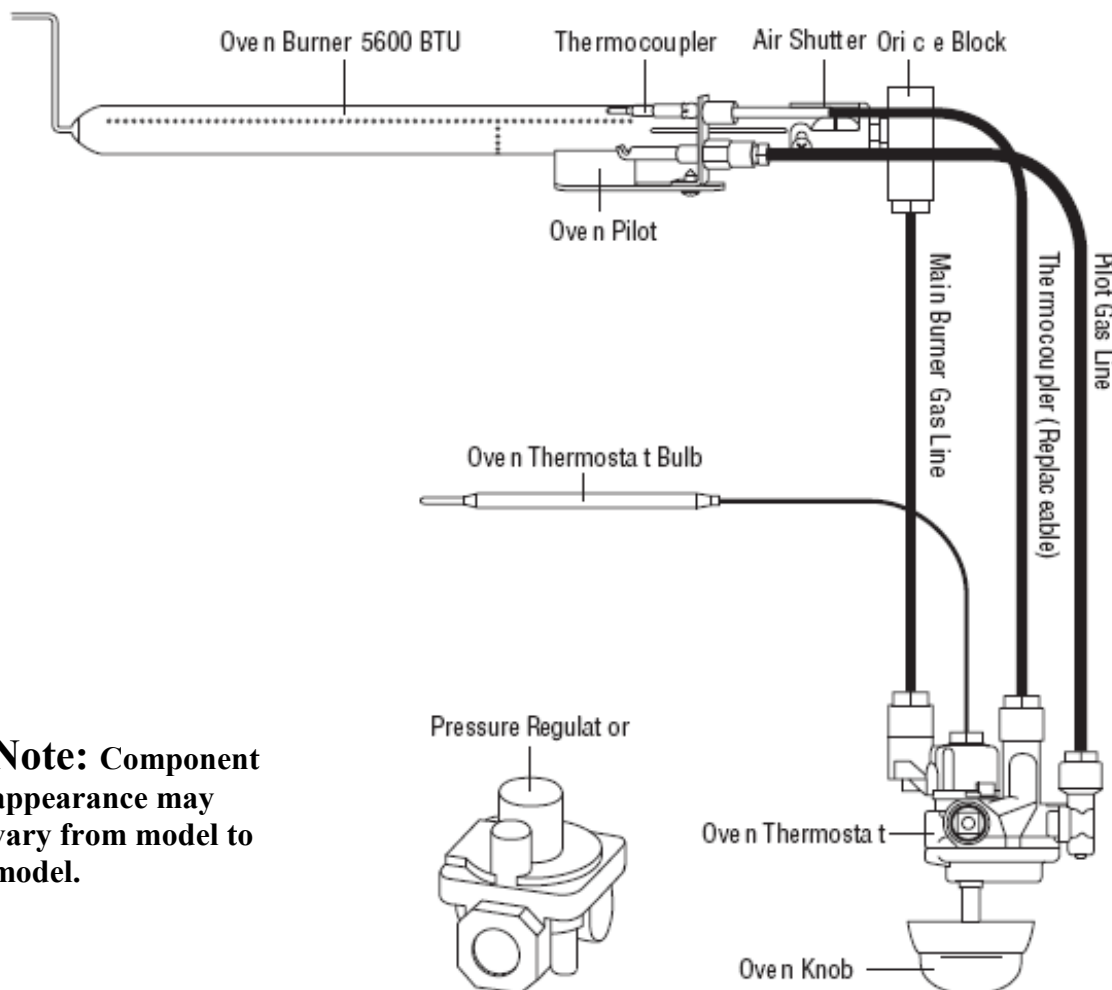
Oven Thermostat - senses oven temperature by means of a thermal bulb located in the upper rear of the oven. The oven control knob is set to the desired temperature calling for heat; the fluid expands in the bulb as the temperature rises, moving the seat in the thermostat from full open to partial open as the desired temperature is reached, thus maintaining the set temperature. The gas is passed from the thermostat to the orifice block in the main burner, entering the burner and igniting from the pilot.



Oven Burner—The oven burner remains on once the thermostat is turned on. The **size** of the flame changes to a high or low flame by the thermostat as regulated by the user setting the knob and the thermostat bulb sensing a satisfied oven temperature.

Note: The pilot gas line will remain open as long as the pilot is lighted and the thermocouple senses flame. If the pilot goes out, the magnet will drop out and shut off gas flow to the pilot.

Component Identification



Note: Component appearance may vary from model to model.

Effective: 12/15/06

Guides are only intended for use on Atwood® products by service technicians who have successfully completed Atwood® training. This guide should be used in conjunction with the appropriate Instruction Manual provided with the product and any applicable Industry Standards. This is not intended to be a complete list. Please direct questions concerning service of Atwood® products to 866-869-3118 before proceeding.

CAUSE	SOLUTION
RANGE PILOT WON'T LIGHT OR STAY LIT	
Insufficient gas pressure	1. Check for gas leaks and have regulator checked by qualified LP gas technician 2. Check gas supply 3. Set pressure to 11" W.C. with two or more gas appliances running
Supply valve closed	Turn valve on
Blocked pilot orifice, or blocked flash tubes	Clean pilot orifice with toothpick; clean flash tubes
Pilot flame cover out of position,	Reposition pilot flame cover, and/or remove carbon and/or coated with carbon build up.
BURNER(S) WON'T LIGHT OR STAY LIT	
Insufficient gas pressure	Check for gas leaks, have regulator checked by qualified LP gas technician
Incorrect air/gas mixture	Adjust air shutter if applicable
Blocked orifice	Clean with toothpick
BURNER LIGHTS, BUT FLAME IS TOO SMALL	
Improper gas pressure	Check for gas leaks, have regulator checked by qualified LP gas technician
Improper air/gas mixture	Adjust air shutter if applicable
Problem burner valve	Replace burner valve
Blocked orifice	Clean with toothpick
BURNER FLAME LIFTS OFF BURNER HEAD	
Gas pressure too high	Have regulator check by a qualified LP gas technician
OVEN BURNER LIGHTS, BUT FLAME REMAINS VERY SMALL AND OVEN HEATS VERY SLOWLY	
Improper gas pressure	Check for gas leaks, have regulator checked by qualified LP gas technician
Blocked orifice	Clean with alcohol and cotton swab
OVEN BURNER FLAME LIFTS OFF BURNER AND OVEN CYCLES TOO FREQUENTLY	
Gas pressure too high	Have regulator checked by qualified LP gas technician, or improper gas mixture
OVEN COOKS UNEVENLY AND/OR FOOD BURNS ON THE BOTTOM	
Poor oven ventilation	Oven too full for proper circulation - must have 1" clearance in all directions. Ventilation holes in oven bottom (shelf above burner) are covered. Check the top vent (on back of range) it must be clear of all insulation, etc.
Problem thermostat	Replace thermostat.
Oven not preheated	Oven must be preheated at least 10 minutes.
Thermo bulb out of position	Thermbulb must be in clip on back of oven - pans cannot touch thermo bulb.

OVEN PILOT OUTAGE

Safety Thermal Bulb out of position	-----	Re-position the safety thermal bulb.
Problem thermostat	-----	Replace thermostat
Blocked oven vent	-----	Remove obstruction from vent
Incorrect oven burner gas/air mixture	-----	Readjust air

YELLOW FLAME TIPS

Improper gas-air mixture	-----	Adjust air shutter if applicable
Low gas pressure	-----	Check gas supply
		Check for leaks and have the regulator checked
		Set pressure to 11" water column
RA Ranges and Cooktops		
Improper orifice to burner alignment	-----	Realign burner head and orifice tube assembly
		Replace orifice

Operation and Trouble Shooting Guide - 33 Series **& UP**

TO LIGHT THE PILOT

Turn the oven knob to the pilot position and push in.
Hold in for at least 5 seconds until pilot is well established.

PILOT WILL NOT COME ON

Check to see if the gas is turned on.
Is there gas in the tanks?
Check for blockage of the orifice, pilot assembly, or pilot line.
Check for kinks in the pilot line.

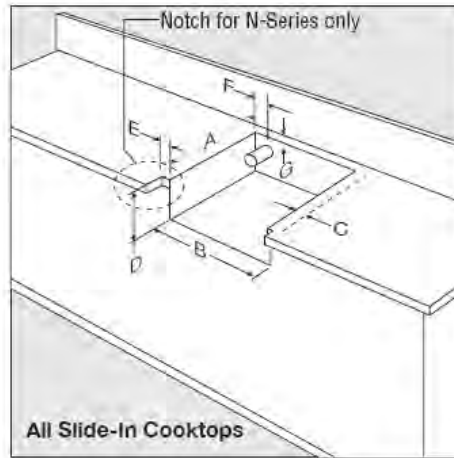
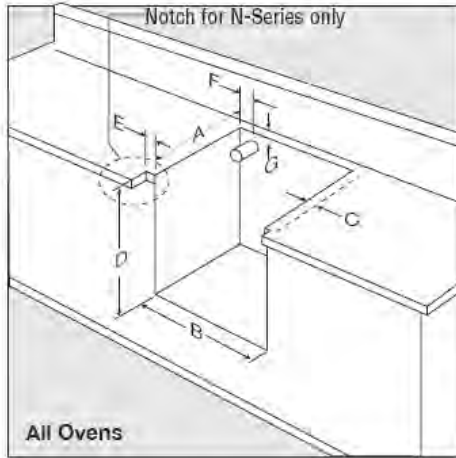
PILOT WILL NOT STAY ON

Hold oven knob, pilot position, for up to 30 seconds.
Check gas supply.
Confirm that thermocouple is fully inserted into the thermocouple holder.
Pilot flame out of position. Pilot flame is not engulfing thermocouple. Pilot assembly needs to be adjusted so that pilot flame is engulfing thermocouple.
Test thermocouple.
Thermostat knob is bottoming out on manifold cover (face plate). If knob can not fully engage, the magnet in the thermostat will not be established. Move manifold out further beyond face plate.

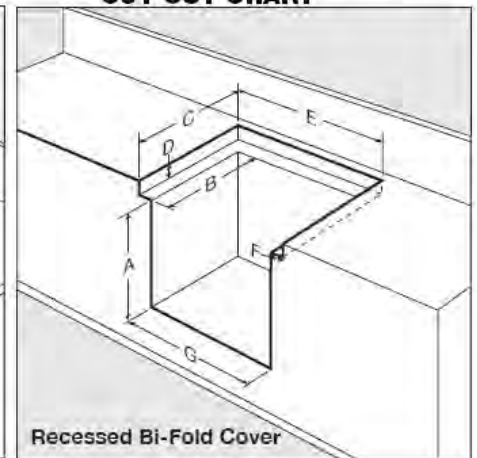
THERMOSTAT CALIBRATION

The ideal temperature variance is 25 degrees (plus or minus). This means that if the thermostat is set at 350 degrees, the temperature will range between 325 and 375. If the temperature exceeds 50 degrees, plus or minus, check for a kinked capillary tube.

CABINET & COUNTER CUT OUT CHART



RECESSED BI-FOLD COVER CUT OUT CHART



CABINET & COUNTER CUT OUT CHART - TABLEAU DE DECOUPE DES ELEMENTS ET DU COMPTOIR

CUT OUT DIMENSIONS DIMENSIONS DE LA DECOUPE	A	B	C		D	E	F	G
			(RV/CV)	(RA/CA)				
17" RV & RA Ranges Série RV et RA 17"	17.75"	20.25"	1.13"	2.13"	16"	0"	1.75"	1.5"
	451MM	514MM	29MM	54MM	406MM	0MM	45MM	38MM
21" RV & RA Ranges Série RV et RA 21"	17.75"	20.25"	1.13"	2.13"	20"	0"	1.75"	1.5"
	451MM	514MM	29MM	54MM	508MM	0MM	45MM	38MM
Slide-In CV & CA Série CV et CA à encastrement	17.75"	20.25"	1.13"	2.13"	3"	0"	1.75"	1.5"
	451MM	514MM	29MM	54MM	76MM	0MM	45MM	38MM
17" RV & RA-N Series Série RV 43cm RV et RA-N	17.75"	20.25"	1.13"	2.13"	16"	7/16"	1.75"	1.5"
	451MM	514MM	29MM	54MM	406MM	11MM	45MM	38MM
21" RV & RA-N Series Série RV 53cm RV et RA-N	17.75"	20.25"	1.13"	2.13"	20"	7/16"	1.75"	1.5"
	451MM	514MM	29MM	54MM	508MM	11MM	45MM	38MM
Slide-In CV & CA-N Series Série CV à encastrement CV et CA-N	17.75"	20.25"	1.13"	2.13"	3"	7/16"	1.75"	1.5"
	451MM	514MM	29MM	54MM	76MM	11MM	45MM	38MM

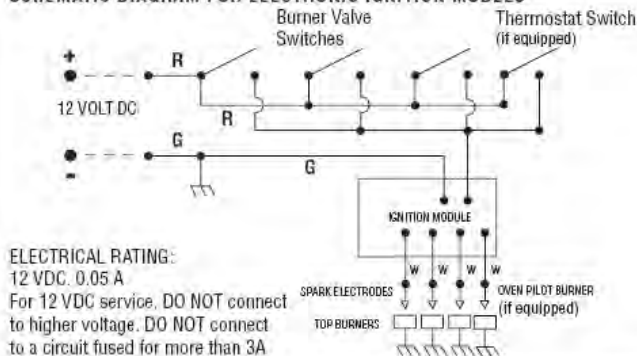
† Minimum clearance to combustible materials. (typical two (2) sides and back)
 * The overall unit depth for CA models with Electronic Ignition is 18-1/4" from cabinet face to back wall of cutout below counter.
 † Éloignement minimum des matériaux combustibles (Typiquement sur les deux côtés et à l'arrière)
 * La profondeur totale des modèles CA à allumage électronique est de (464 mm). Ces dimensions sont celle de la découpe entre la façade de l'élément de cuisine et la paroi arrière du comptoir.

NOTE: Maximum countertop overhang = 3/4" NOTE: rebord maximum du comptoir = 19 mm

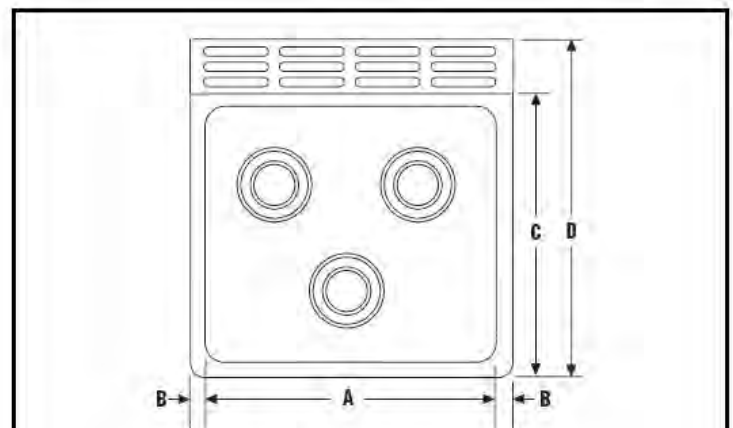
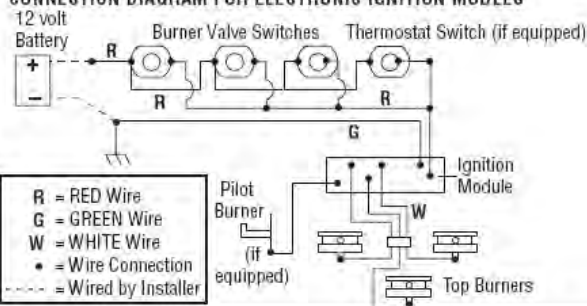
RECESSED BI-FOLD COVER - COUVERCLE PLIANT EN DEUX PARTIES ENCASTRE

LAMINATE MATERIAL MATÉRIAU STRATIFIÉ	MPD PART #	RV & RA OVEN			CUT OUT DIMENSIONS - DIMENSIONS DE LA DECOUPE						
		17"	21"	CV & CA SLIDE-IN	A	B	C	D	E	F	G
1/4" 6 mm	56397	16.0"	20.0"	3.0"	17.75"	20.0"	2.31"	24.5"	2.13"	20.25"	
		406 mm	508 mm	76 mm	451 mm	508 mm	59 mm	622 mm	54 mm	514 mm	
1/32" .8 mm	56391	16.0"	20.0"	3.0"	17.75"	20.0"	1.84"	24.5"	2.13"	20.25"	
		406 mm	508 mm	76 mm	451 mm	508 mm	47 mm	622 mm	54 mm	514 mm	

SCHEMATIC DIAGRAM FOR ELECTRONIC IGNITION MODELS



CONNECTION DIAGRAM FOR ELECTRONIC IGNITION MODELS



RANGE HOOD MOUNTING INFORMATION

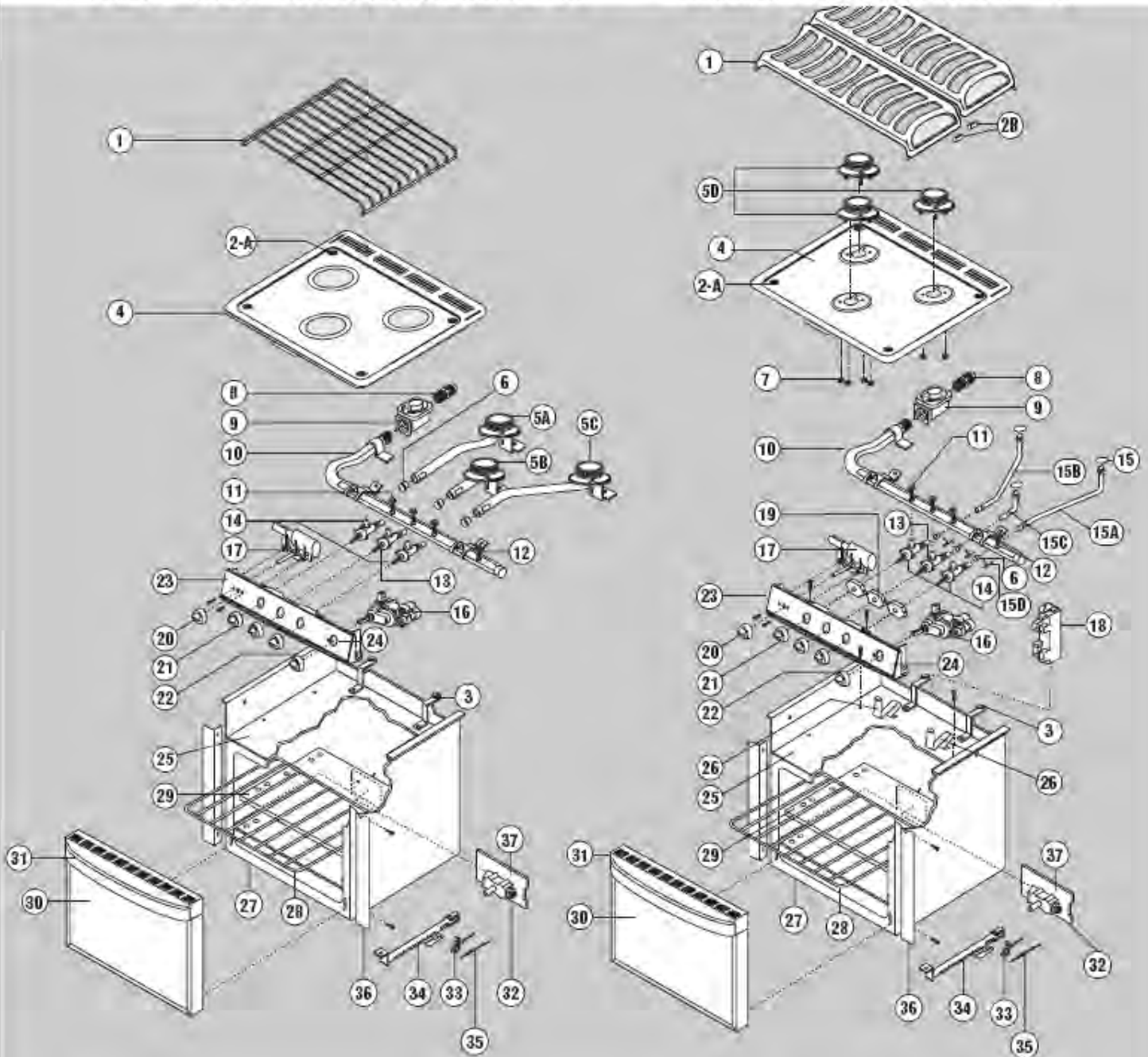
	A	B	C	D
Range Top	19-3/8"			
Mounting Trim		3/4"		
Range Top Depth			15-7/8"	
Range Top plus Oven Vent				19-9/16"

MODEL 33 - WEDGEWOOD (RV / CV) - ATWOOD (RA / CA)

Range & Slide-In Parts Identification

RV SERIES - MATCH LIGHT, PIEZO & ELECTRONIC IGNITION

RA SERIES - PIEZO & ELECTRONIC IGNITION



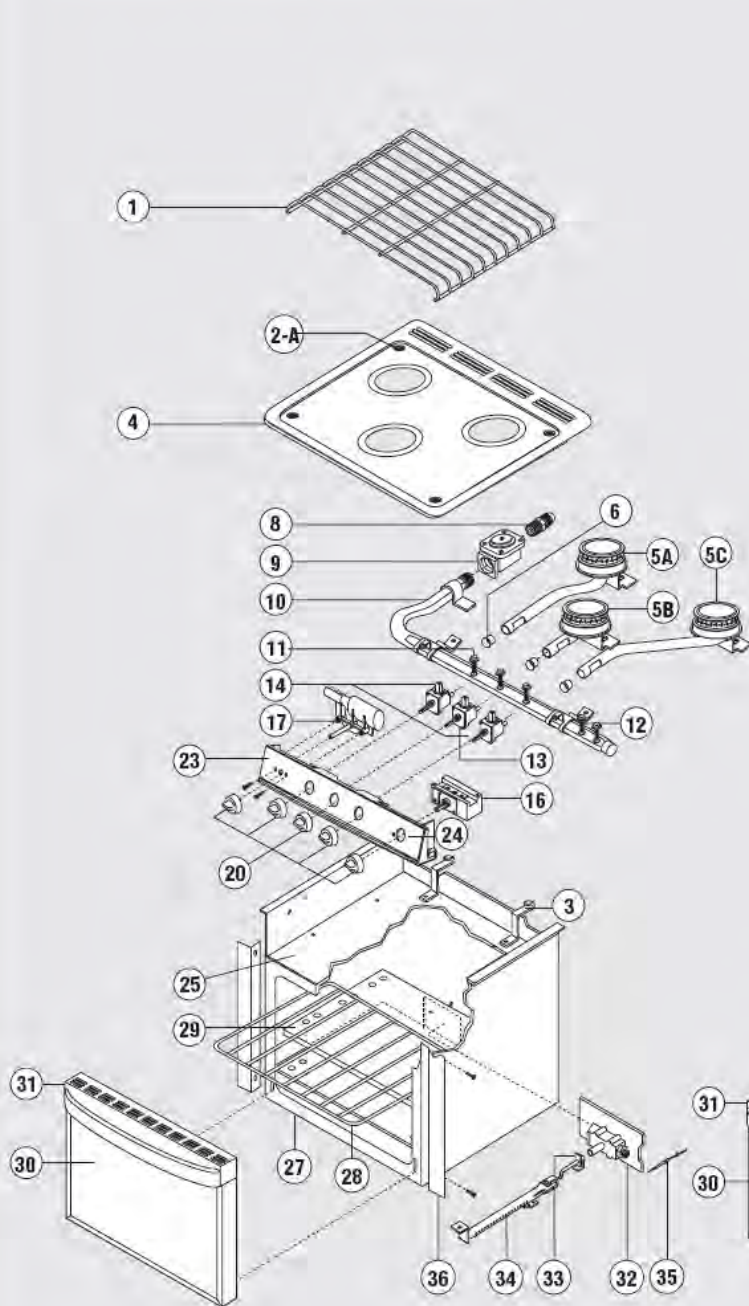
ITEM	DESCRIPTION	WEDGEWOOD		ATWOOD	
		RV		RA	
		1733	2133	1733	2133
30	Door assembly includes handle - black steel	51977	51983	51977	51983
30	Door assembly includes handle - white steel	51978	51984	51978	51984
30	Door assembly includes handle - white glass	51981	51987	51982	51988
30	Door assembly includes handle - black glass	51980	51986	51980	51986
30	Door assembly includes handle - stainless steel	51958	51992	51958	51992
30	Door assembly white handle - white steel	51957		51957	
	DOOR-Glass Insert - Sm BLACK	51881		51881	
	DOOR-Glass Insert - Lg BLACK		51882		51882
	DOOR-Glass Insert - Sm WHITE	51883		51883	
	DOOR-Glass Insert - Lg WHITE		51884		51884
31	Oven Door Handle - black	51124	51124	51124	51124
	Oven Door Handle - white	51126	51126	51126	51126

ITEM	DESCRIPTION	WEDGEWOOD			ATWOOD		
		RV		CV	RA		CA
		1733	2133	33	1733	2133	33
1	Grate - black	56272	56272	56272	57190✦	57190✦	57190✦
2A	Grommet (4) ✦	53009	53009	53009	53009	53009	53009
2B	Sealed Grate U-Channel (4) ✦				57194	57194	57194
3	Top Spring Clip (2) ✦	51035	51035	51035	51035	51035	51035
4	Range Top Assy - white	52007	52007	52007	57300	57300	57300
	Range Top Assy - black	52008	52008	52008	57299	57299	57299
	Range Top Assy - bisque OBS - USE BLACK OR WHITE						
	Range Top Assy - stainless steel	56742	56742	56742	57305	57305	57305
5A	Burner, Piezo - left rear	57205	57205	57205			
5A	Burner, Matchlit - left rear	57206	57206	57206			
5B	Burner, Piezo - center front	57201	57201	57201			
5B	Burner, Matchlit - center front	57202	57202	57202			
5C	Burner, Piezo - right rear	57203	57203	57203			
5C	Burner, Matchlit - right rear	57204	57204	57204			
5D	Burner, Piezo/Electronic Ignition				57276	57276	57276
6	Bushing - Burner (3) ✦	53011	53011	53011	53011	53011	53011
7	Hex Nut (2) ✦				51004	51004	51004
8	Brass Fitting	52294	52294	52294	52294	52294	52294
9	Pressure Regulator	51062	51062	51062	51062	51062	51062
10	3-Burner Manifold (AFTER SERIAL # F11040784) (Dbl D)	57217	57217	57216	57217	57217	57216
	3-Burner Manifold (BEFORE SERIAL # F11040783)	57270	57270	57268	57270	57270	57268
11	Bolt-Valve (3) ✦	57278	57278	57278	57278	57278	57278
12	Bolt - Oven Thermostat	57266	57266		57266	57266	
13	Valve, Burner-Mini 9000 BTU (AFTER SERIAL # F11030969) (GREEN)	57218	57218		57218	57218	
	Valve, Burner-Mini 9000 BTU (BEFORE SERIAL # F11030968)	57252	57252		57252	57252	
	Valve, Burner-Mini 9000 BTU (AFTER SERIAL # F11040784) (GREEN)			57218			57218
	Valve, Burner-Mini 9000 BTU (BEFORE SERIAL # F11040783)			57252			57252
14	Valve, Burner-Mini 6500 BTU (AFTER SERIAL # F11030969) (YELLOW)	57213	57213		57213	57213	
	Valve, Burner-Mini 6500 BTU (BEFORE SERIAL # F11030968)	57251	57251		57251	57251	
	Valve, Burner-Mini 6500 BTU (AFTER SERIAL # F11040784) (YELLOW)			57213			57213
	Valve, Burner-Mini 6500 BTU (BEFORE SERIAL # F11040783)			57251			57251
15	Burner Gasket Kit (INCLUDES 3)				50140	50140	50140
15A	Burner Tube - right rear				57110	57110	57110
15B	Burner Tube - left rear				57108	57108	57108
15C	Burner Tube - center front				57109	57109	57109
15D	Burner Clip, wire (3) ✦				57198	57198	57198
16	Thermostat, oven control	57294	57294		57294	57294	
17	Piezo Igniter	56096	56096	56096	56096	56096	56096
18	12V Ignition Module	57277	57277	57277	57277	57277	57277
19	Valve Ignition Switch	57262	57262	57262	57262	57262	57262
20	Piezo Knob -black	51344	51344	51344	51344	51344	51344
	Piezo Knob -white	53223	53223	53223	53223	53223	53223
21	Burner Knob - black (3) ✦	56148	56148	56148	56148	56148	56148
	Burner Knob - white (3) ✦	53221	53221	53221	53221	53221	53221
22	Oven Thermostat Knob - black	57258	57258		57258	57258	
	Oven Thermostat Knob - white	57291	57291		57291	57291	
23	Control Panel Assy- w/o Label	*	*	*	*	*	*
24	Control Panel Label	*	*	*	*	*	*
25	Burner Box	51687	51687	51687	51687	51687	51687
26	Burner Spring Clips (3) ✦				57095	57095	57095
27	Oven Can	51969	51970		51969	51970	
28	Oven rack	51069	51069		51069	51069	
29	Oven shelf	51670	51670		51670	51670	
32	Orifice Block	57271	57271		57271	57271	
33	Pilot Assembly	57247	57247		57247	57247	
34	Burner, oven	57275	57275		57275	57275	
35	Thermocouple	57274	57274		57274	57274	
36	Oven Can Trim	51975	51976		51975	51976	
37	Orifice Block Plate	57310	57310		57310	57310	
N/S	Wiring Harness - Electronic Ignition Switches				57262	57262	57262
	Wiring Lead - Electronic Ignition Electrodes				57261	57261	57261
	Wiring Lead - Electronic Ignition Ground				57260	57260	57260
N/S	Wiring Lead - Piezo (3) ✦	57264	57264	57264	57264	57264	57264
N/S	Burner Electrode (3) ✦	54800	54800	54800	54800	54800	54800
N/S	Hinge Assembly	51972	51991		51972	51991	
N/S	KIT - Door Seal	51060	51061		51060	51061	
N/S	KIT - Gas Tube Supply Oven	57273	57272		57273	57272	
N/S	Nylon Edge Guard (4) ✦	53218	53218	53218			
N/S	Thermal bulb clip	51364	51364		51364	51364	
N/S	Towel Bar			53205			53205

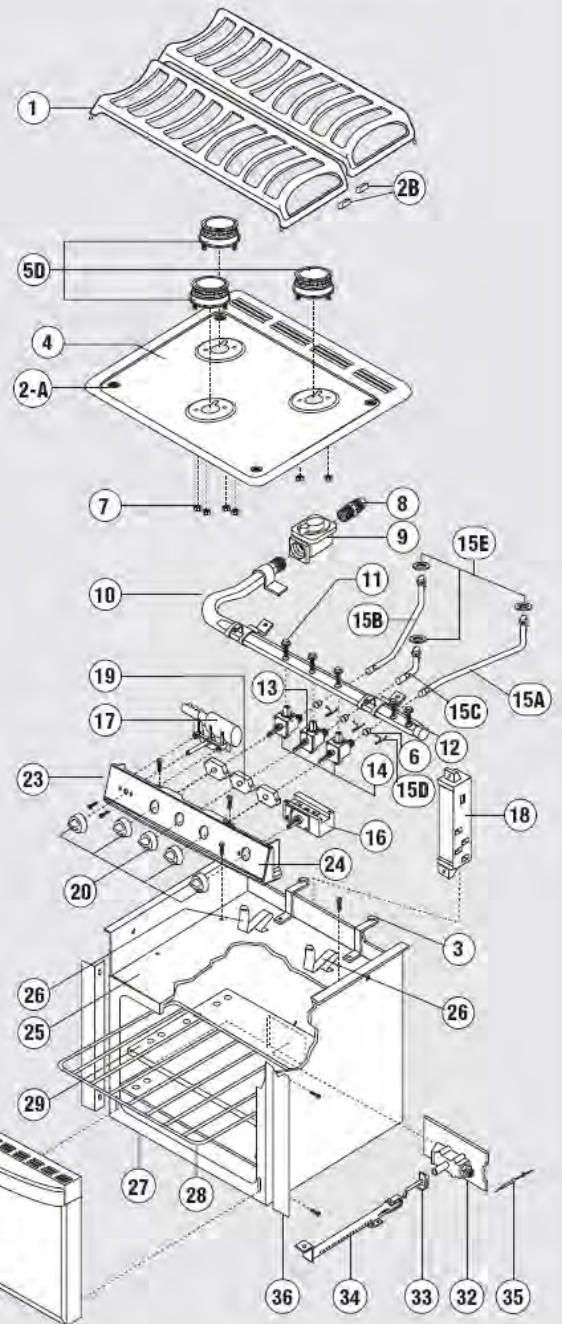
N/S Not shown in illustration OBS - Obsolete ✦ Order quantity needed ⌘ While supplies last * Order by model, color and style

MODEL 34 - WEDGEWOOD (RV / CV) - ATWOOD (RA / CA) Oven & Slide-In Cooktop Parts Identification

RV Series Range & Slide-In Match Light and Piezo



RA Series Range & Slide-In Piezo and Electronic Ignition



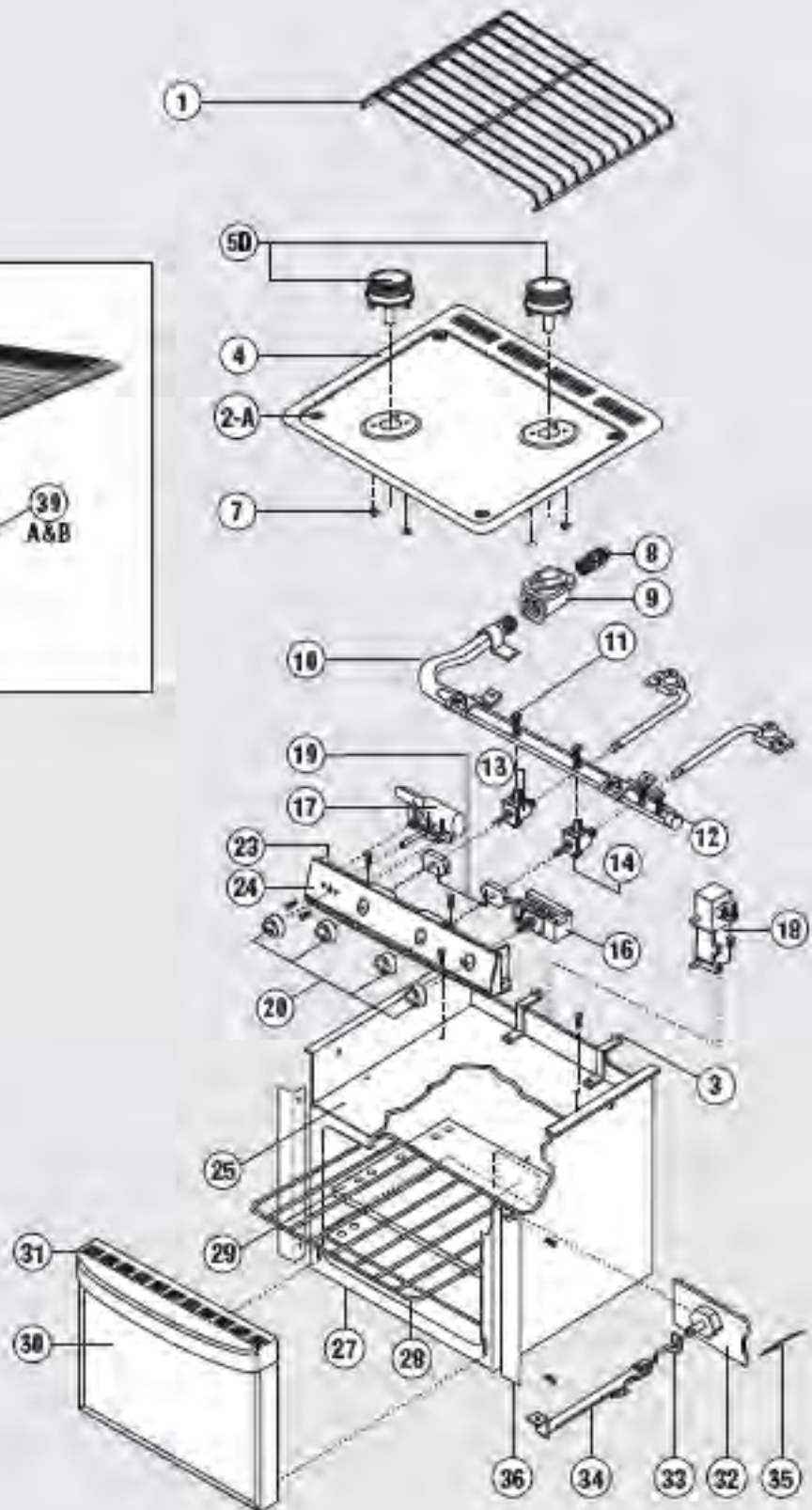
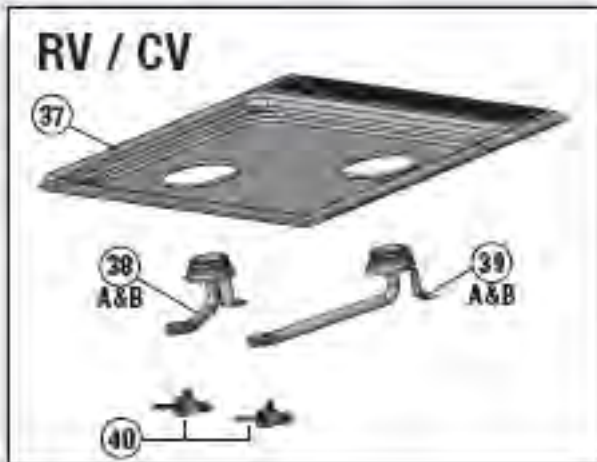
ITEM	DESCRIPTION	WEDGEWOOD			ATWOOD		
		RV		CV	RA		CA
		1734	2134	34	1734	2134	34
1	Grate - black	56272	56272	56272	57190	57190	57190
2A	Grommet	53009	53009	53009	53009	53009	53009
2B	Sealed Grate U-Channel				57194	57194	57194
3	Top Spring Clip	51035	51035	51035	51035	51035	51035
4	Range Top - white, side latches	52014	52014	52014	57534	57534	57534
	Range Top - black, side latches	52015	52015	52015	57533	57533	57533
	Range Top - stainless steel, side latches	57532	57532	57532	57529	57529	57529
5A	Kit, Burner, Sparklite - left	57542	57542	57542			
5A	Kit, Burner, Matchlit - left	57543	57543	57543			
5B	Kit, Burner, Sparklite - center	57540	57540	57540			
5B	Kit, Burner, Matchlit - center	57541	57541	57541			
5C	Kit, Burner, Sparklite - right	57538	57538	57538			
5C	Kit, Burner, Matchlit - right	57539	57539	57539			
5D	Kit, Burner w/Igniter				57546	57546	57546
6	Bushing, Burner	53011	53011	53011	53011	53011	53011
7	Hex Nut				51004	51004	51004
8	Brass Fitting	52294	52294	52294	52294	52294	52294
9	Kit, Gas Regulator	51062	51062	51062	51062	51062	51062
10	Kit, Manifold Pipe	57537	57537	57545	57537	57537	57545
11	Bolt, Mini Valve	56088	56088	56088	56088	56088	56088
12	Bolt, Oven Thermostat	56125	56125		56125	56125	
13	Kit, Valve, Burner-9000 BTU	57244	57244	57244	57244	57244	57244
14	Kit, Valve, Burner-6500 BTU	57239	57239	57239	57239	57239	57239
15A	Kit, Burner Tube - right				57548	57548	57548
15B	Kit, Burner Tube - left				57547	57547	57547
15C	Kit, Burner Tube - center				57549	57549	57549
15D	Burner Clip, wire				57198	57198	57198
15E	Kit, Burner Gasket Kit (includes 3 gaskets)				50140	50140	50140
16	Kit, Thermostat oven control	57237	57237		57237	57237	
17	Piezo Ignitor	56096	56096	56096	56096	56096	56096
18	Kit, Ignition Module				57550	57550	57550
19	Kit, Electronic Ignition Switch Harness				57551	57551	57551
20	Kit, Knobs (Piezo, Burners & Oven)	57544	57544	57544	57544	57544	57544
23	Control Panel Assy- w/o Label	◆	◆	◆	◆	◆	◆
24	Control Panel Label	◆	◆	◆	◆	◆	◆
25	Burner Box	51687	51687	51687	51687	51687	51687
26	Kit, Burner Spring Clips				57558	57558	57558
27	Oven Can	51969	51970		51969	51970	
28	Oven rack	51069	51069		51069	51069	
29	Oven shelf	51670	51670		51670	51670	
30	Door assembly includes handle - black steel	51977	51983		51977	51983	
30	Door assembly includes handle - white steel	51978	51984		51978	51984	
30	Door assembly includes handle - white glass	51981	51987		51982	51988	
30	Door assembly includes handle - black glass	51980	51986		51980	51986	
30	Door assembly includes handle - stainless steel	51958	51992		51958	51992	
30	Door assembly white handle - white steel	51957			51957		
	DOOR-Glass Insert - Sm BLACK	51881			51881		
	DOOR-Glass Insert - Lg BLACK		51882			51882	
	DOOR-Glass Insert - Sm WHITE	51883			51883		
	DOOR-Glass Insert - Lg WHITE		51884			51884	
31	Oven Door Handle - black	51124	51124		51124	51124	
	Oven Door Handle - white	51126	51126		51126	51126	
32	Kit, Oven Gas Supply Assy	57232	57232		57232	57232	
33	Kit, Pilot Burner Assy	57234	57234		57234	57234	
34	Kit, Oven Burner	57233	57233		57233	57233	
35	Kit, Thermocouple	57235	57235		57235	57235	
36	Oven Can Trim	51975	51976		51975	51976	
N/S	Kit, 3/16 Pilot Gas Tube	57236	57236		57236	57236	
N/S	Kit, Piezo Ignition Leads	57553	57553	57553	57554	57554	57554
N/S	Kit, Wiring Lead - Electronic Ignition Ground 8"				57260	57260	57260
N/S	Kit, Electronic Ignition Leads				57556	57556	57556
N/S	Kit, Oven Door Hinges	57557	57559		57557	57559	
N/S	Kit, - Door Seal	51060	51061		51060	51061	

Order by model, color and style not shown in Illustration ◆ N/S commander par couleur pas montré

MODEL 20 - ATWOOD

Oven & Slide-In Cooktop Parts Identification

RA / CA



ITEM	DESCRIPTION	ATWOOD					
		RA		CA	RV		CV
		1720	2120	20	1720	2120	20
1	Grate - black	51371	51371	51371	51371	51371	51371
2A	Grommet	53009	53009	53009	53009	53009	53009
3	Top Spring Clip	51035	51035	51035	51035	51035	51035
4	Range Top - black	51360	51360	51360			
	Range Top - stainless steel	51358	51358	51358			
5D	Kit, Burner w/Igniter	51514	51514	51514			
7	Hex Nut	51004	51004	51004			
8	Brass Fitting	52294	52294	52294	52294	52294	52294
9	Kit, Gas Regulator	51062	51062	51062	51062	51062	51062
10	Kit, Manifold Pipe	51497	51497	52100	51497	51497	52100
11	Bolt, Mini Valve	56088	56088	56088	56088	56088	56088
12	Bolt, Oven Thermostat	56125	56125		56125	56125	
13	Kit, Burner Valve/Tube Assy, left	51495	51495	51495			
14	Kit, Burner Valve/Tube Assy, right	51496	51496	51496			
16	Kit, Thermostat oven control	57237	57237		57237	57237	
17	Piezo Ignitor w/wires	51494	51494	51494	51494	51494	51494
18	Kit, Ignition Module	57550	57550	57550	57550	57550	57550
19	Kit, Electronic Ignition Switch Harness	51516	51516	51516	51516	51516	51516
20	Kit, Knobs (Piezo, Burners & Oven)	51541	51541	51541	51541	51541	51541
23	Control Panel Assy- w/o Label	◆	◆	◆	◆	◆	◆
24	Control Panel Label	◆	◆	◆	◆	◆	◆
25	Burner Box	51687	51687	51687	51687	51687	51687
27	Oven Can	51969	51970		51969	51970	
28	Oven rack	51069	51069		51069	51069	
29	Oven shelf	51670	51670		51670	51670	
30	Door assembly includes handle - black steel	51977	51983		51977	51983	
30	Door assembly includes handle - black glass	51980	51986		51980	51986	
30	Door assembly includes handle - stainless steel	51958	51992		51958	51992	
30	DOOR-Glass Insert - Sm BLACK	51881			51881		
	DOOR-Glass Insert - Lg BLACK		51882			51882	
31	Oven Door Handle - black	51124	51124		51124	51124	
32	Kit, Oven Gas Supply Assy	57232	57232		57232	57232	
33	Kit, Pilot Burner Assy	57234	57234		57234	57234	
34	Kit, Oven Burner	57233	57233		57233	57233	
35	Kit, Thermocouple	57235	57235		57235	57235	
36	Oven Can Trim	51975	51976		51975	51976	
N/S	Kit, 3/16 Pilot Gas Tube	57236	57236		57236	57236	
N/S	Kit, Piezo Ignition Leads	51545	51545	51545	51545	51545	51545
N/S	Kit, Wiring Lead - Electronic Ignition Ground 8"	57260	57260	57260	57260	57260	57260
N/S	Kit, Electronic Ignition Leads	51546	51546	51546	51546	51546	51546
N/S	Kit, Oven Door Hinges	57557	57559		57557	57559	
N/S	Kit, - Door Seal	51060	51061		51060	51061	
37	Range Top - Black				51372	51372	51372
	Range Top - Stainless Steel				51374	51374	51374
38 A	Kit, Left Burner				52077	52077	52077
38 B	Kit, Left Burner w/Ignitor				52078	52078	52078
39 A	Kit, Right Burner				52081	52081	52081
39 B	Kit, Right Burner w/Ignitor				52099	52099	52099
40	Kit, Burner Valve 9000 BTU				57244	57244	57244

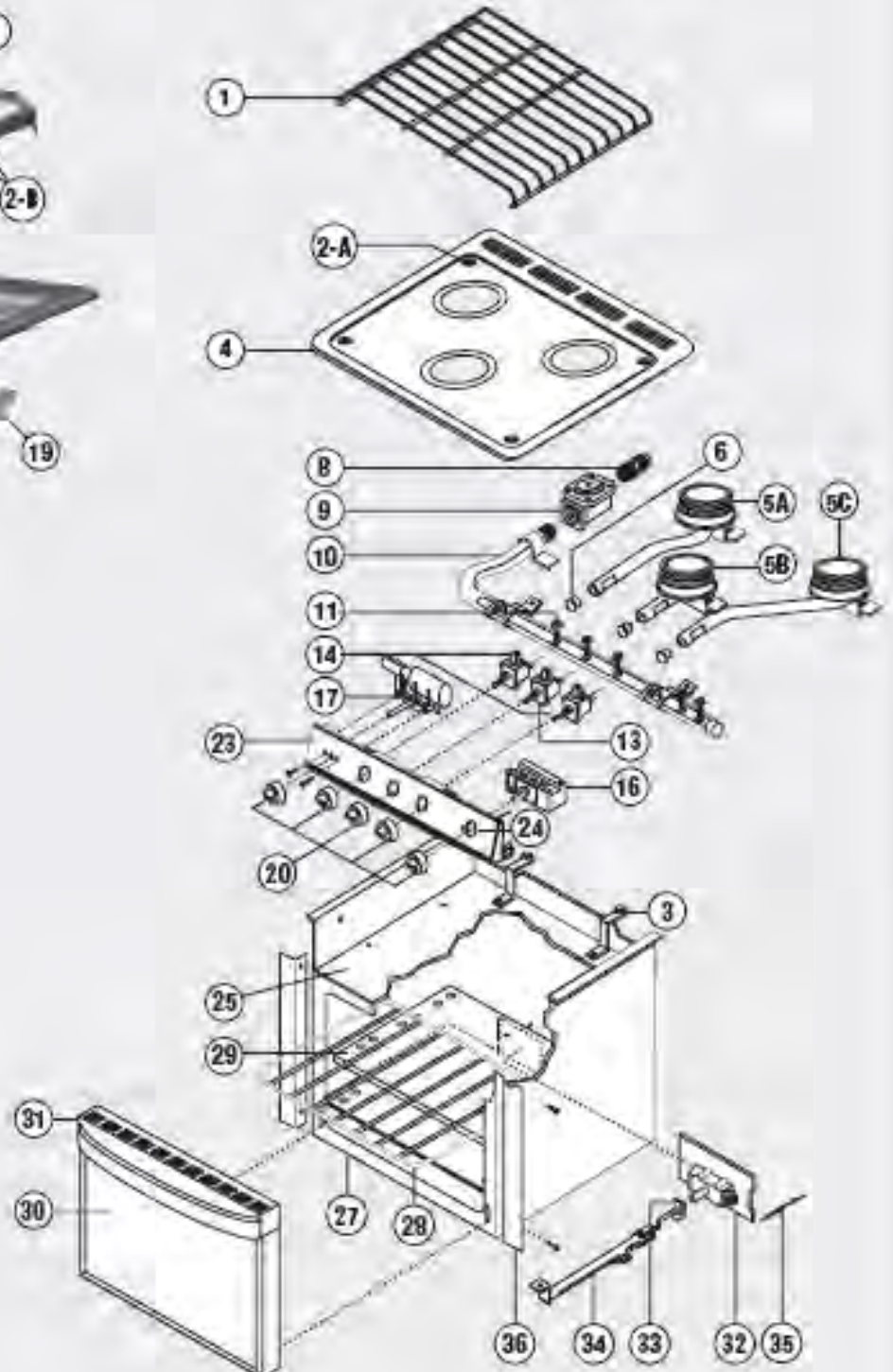
Order by model, color and style ◆ commander par couleur
not shown in illustration N/S pas montré

MODEL 35 - WEDGEWOOD (RV / CV), ATWOOD (RA / CA) Oven & Slide-In Cooktop Parts Identification

RA & CA Range & Slide-In



RV & CV Series Range & Slide-In Match Light and Piezo



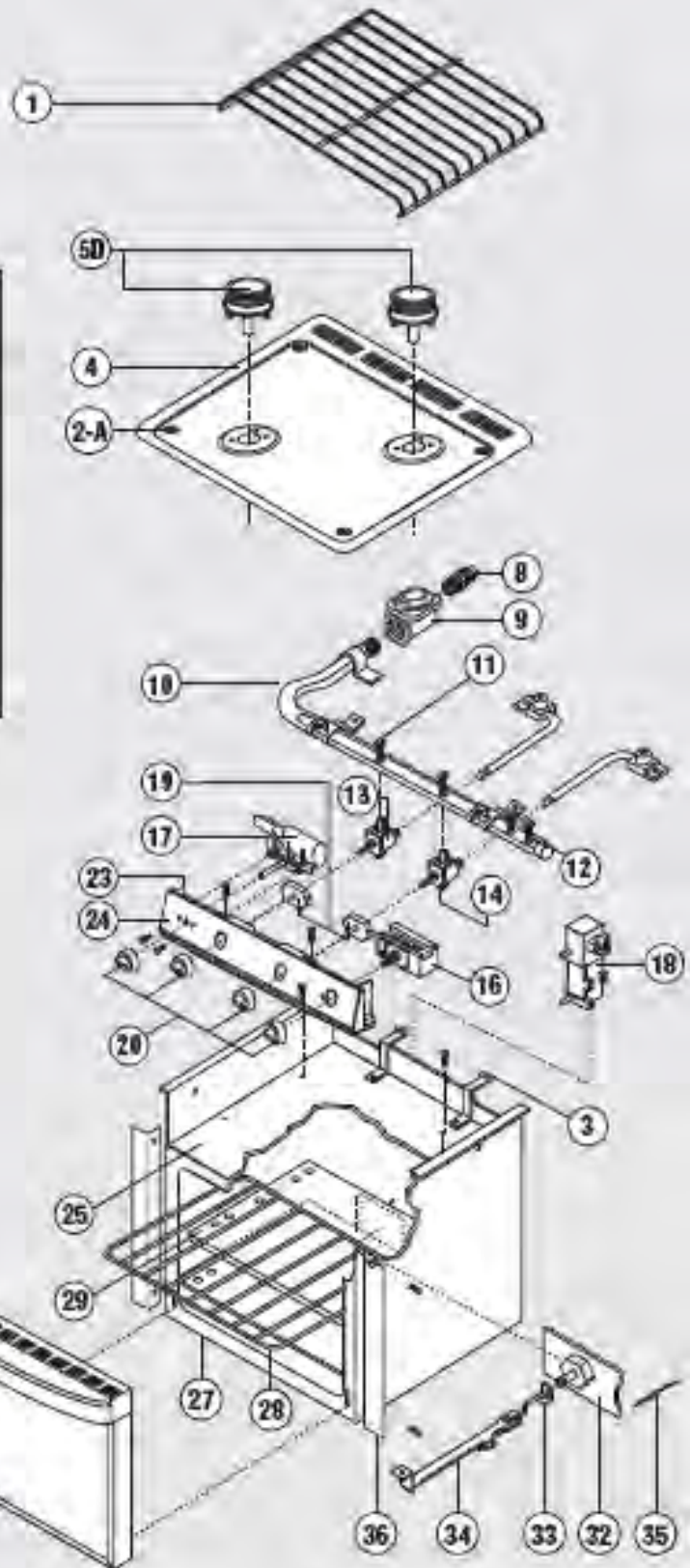
ITEM	DESCRIPTION	WEDGEWOOD			ATWOOD		
		RV		CV	RA		CA
		1735	2135	35	1735	2135	35
1	Grate - black (2 required for RA & CA)	56272	56272	56272	57190	57190	57190
2A	Grommet	53009	53009	53009	53009	53009	53009
2B	Sealed Grate U-Channel (4 required)				57194	57194	57194
3	Top Spring Clip	51035	51035	51035	51035	51035	51035
4	Range Top - white, side latches	52014	52014	52014	52753	52753	52753
	Range Top - black, side latches	52015	52015	52015	52752	52752	52752
	Range Top - stainless steel, side latches	57532	57532	57532	52754	52754	52754
5A	Kit, Burner, Sparklite - left	52717	52717	52717			
5A	Kit, Burner, Matchlit - left	52718	52718	52718			
5B	Kit, Burner, Sparklite - center	52715	52715	52715			
5B	Kit, Burner, Matchlit - center	52716	52716	52716			
5C	Kit, Burner, Sparklite - right	52713	52713	52713			
5C	Kit, Burner, Matchlit - right	52714	52714	52714			
5D	Burner Head (Twistlock-sealed)				52750	52750	52750
6	Bushing, Burner	53011	53011	53011	53011	53011	53011
8	Brass Fitting	52166	52166	52166	52166	52166	52166
9	Kit, Gas Regulator	51062	51062	51062	51062	51062	51062
10	Kit, Manifold Pipe	52712	52712	52712	52712	52712	52712
11	Bolt, Mini Valve Thermostat	52168	52168	52168	52168	52168	52168
13	Kit, Valve, Burner-9000 BTU	52711	52711	52711	52711	52711	52711
14	Kit, Valve, Burner-6500 BTU	52710	52710	52710	52710	52710	52710
16	Kit, Thermostat oven control	52709	52709		52709	52709	
17	Piezo Ignitor	56096	56096	56096	56096	56096	56096
18A	Burner Tube - left rear				52749	52749	52749
18B	Burner Tube - center front				52748	52748	52748
18C	Burner Tube - right rear				52747	52747	52747
19	Burner Tube Bracket				52803	52803	52803
20	Kit, Knobs (Piezo, Burners & Oven)	52719	52719	52719	52719	52719	52719
23	Control Panel Assy- w/o Label	◆	◆	◆	◆	◆	◆
24	Control Panel Label	◆	◆	◆	◆	◆	◆
25	Burner Box	51687	51687	51687	51687	51687	51687
27	Oven Can	51969	51970		51969	51970	
28	Oven rack	51069	51069		51069	51069	
29	Oven shelf	51670	51670		51670	51670	
30	Door assembly includes handle - black steel	51977	51983		51977	51983	
30	Door assembly includes handle - white steel	51978	51984		51978	51984	
30	Door assembly includes handle - white glass	51981	51987		51982	51988	
30	Door assembly includes handle - black glass	51980	51986		51980	51986	
30	Door assembly includes handle - stainless steel	51958	51992		51958	51992	
30	Door assembly white handle - white steel	51957			51957		
	DOOR-Glass Insert - Sm BLACK	51881			51881		
	DOOR-Glass Insert - Lg BLACK		51882			51882	
	DOOR-Glass Insert - Sm WHITE	51883			51883		
	DOOR-Glass Insert - Lg WHITE		51884			51884	
31	Oven Door Handle - black	51124	51124		51124	51124	
	Oven Door Handle - white	51126	51126		51126	51126	
32	Kit, Oven Gas Supply Assy	52704	52704		52704	52704	
33	Kit, Pilot Burner Assy	52706	52706		52706	52706	
34	Kit, Oven Burner	52705	52705		52705	52705	
35	Kit, Thermocouple	52707	52707		52707	52707	
36	Oven Can Trim	51975	51976		51975	51976	
N/S	Kit, 3/16 Pilot Gas Tube	52708	52708		52708	52708	
N/S	Kit, Piezo Ignition Leads	57553	57553	57553	57553	57553	57553
N/S	Kit, Oven Door Hinges	57557	57559		57557	57559	
N/S	Kit, - Door Seal	51060	51061		51060	51061	

Order by model, color and style not shown in illustration ◆ N/S commander par couleur pas montré

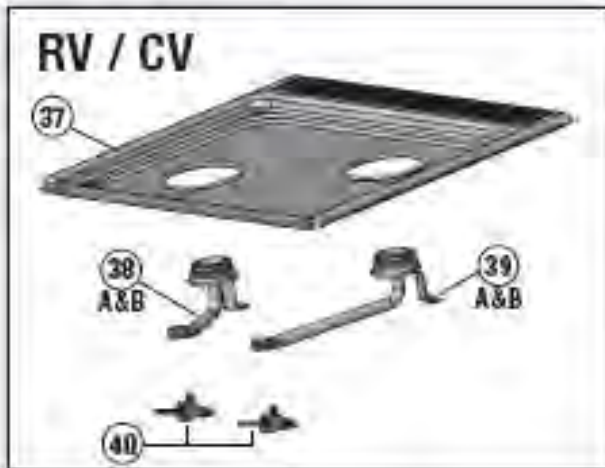
MODEL 21 - ATWOOD

Oven & Slide-In Cooktop Parts Identification

RA / CA

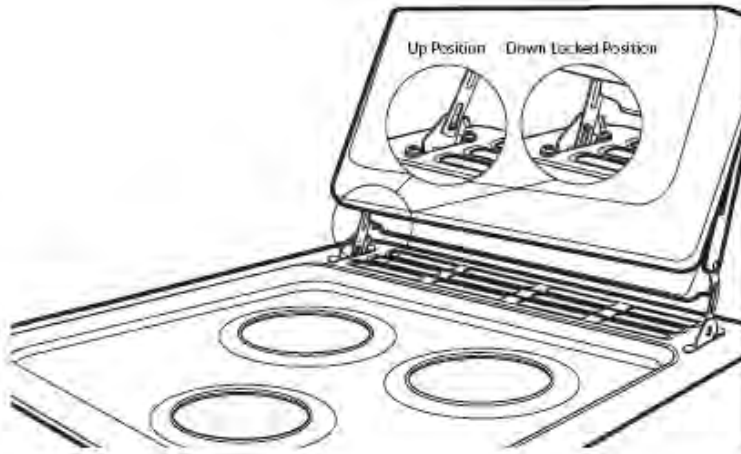


RV / CV



ITEM	DESCRIPTION	ATWOOD					
		RA		CA	RV		CV
		1721	2121	21	1721	2121	21
1	Grate - black	51371	51371	51371	51371	51371	51371
2A	Grommet	53009	53009	53009	53009	53009	53009
3	Top Spring Clip	51035	51035	51035	51035	51035	51035
4	Range Top - black	51360	51360	51360			
	Range Top - stainless steel	51358	51358	51358			
5D	Kit, Burner w/Igniter	52696	52696	52696			
8	Brass Fitting	52166	52166	52166	52166	52166	52166
9	Kit, Gas Regulator	51062	51062	51062	51062	51062	51062
10	Kit, Manifold Pipe	52695	52695	52703	52695	52695	52703
11	Bolt, Mini Valve	52168	52168	52168	52168	52168	52168
12	Bolt, Oven Thermostat	TBD	TBD		TBD	TBD	
13	Kit, Burner Valve/Tube Assy, left	52693	52693	52693			
14	Kit, Burner Valve/Tube Assy, right	52694	52694	52694			
16	Kit, Thermostat oven control	52709	52709		52709	52709	
17	Piezo Ignitor w/wires	51494	51494	51494	51494	51494	51494
18	Kit, Ignition Module	57550	57550	57550	57550	57550	57550
19	Kit, Electronic Ignition Switch Harness	52697	52697	52697	52697	52697	52697
20	Kit, Knobs (Piezo, Burners & Oven)	52698	52698	52698	52698	52698	52698
23	Control Panel Assy- w/o Label	◆	◆	◆	◆	◆	◆
24	Control Panel Label	◆	◆	◆	◆	◆	◆
25	Burner Box	51687	51687	51687	51687	51687	51687
27	Oven Can	51969	51970		51969	51970	
28	Oven rack	51069	51069		51069	51069	
29	Oven shelf	51670	51670		51670	51670	
30	Door assembly includes handle - black steel	51977	51983		51977	51983	
30	Door assembly includes handle - black glass	51980	51986		51980	51986	
30	Door assembly includes handle - stainless steel	51958	51992		51958	51992	
30	DOOR-Glass Insert - Sm BLACK	51881			51881		
	DOOR-Glass Insert - Lg BLACK		51882			51882	
31	Oven Door Handle - black	51124	51124		51124	51124	
32	Kit, Oven Gas Supply Assy	52704	52704		52704	52704	
33	Kit, Pilot Burner Assy	52706	52706		52706	52706	
34	Kit, Oven Burner	52705	52705		52705	52705	
35	Kit, Thermocouple	52707	52707		52707	52707	
36	Oven Can Trim	51975	51976		51975	51976	
N/S	Kit, 3/16 Pilot Gas Tube	52708	52708		52708	52708	
N/S	Kit, Piezo Ignition Leads	51545	51545	51545	51545	51545	51545
N/S	Kit, Wiring Lead - Electronic Ignition Ground 8"	57260	57260	57260	57260	57260	57260
N/S	Kit, Electronic Ignition Leads	51546	51546	51546	51546	51546	51546
N/S	Kit, Oven Door Hinges	57557	57559		57557	57559	
N/S	Kit, - Door Seal	51060	51061		51060	51061	
37	Range Top - Black				51372	51372	51372
	Range Top - Stainless Steel				51374	51374	51374
38 A	Kit, Left Burner				52699	52699	52699
38 B	Kit, Left Burner w/Ignitor				52700	52700	52700
39 A	Kit, Right Burner				52701	52701	52701
39 B	Kit, Right Burner w/Ignitor				52702	52702	52702
40	Kit, Burner Valve 9000 BTU				52711	52711	52711

Order by model, color and style ◆ commander par couleur
not shown in illustration N/S pas montré

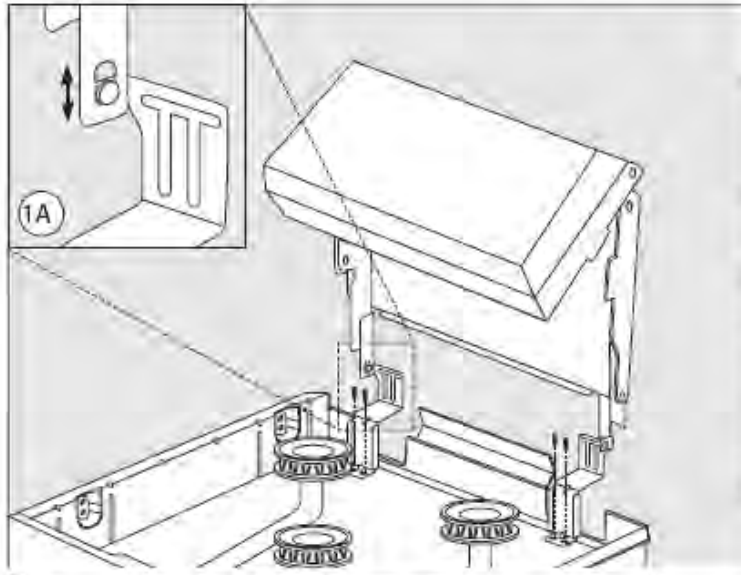


Bi-fold Cover use with SLOTTED TOPS

MODEL NUMBER	DESCRIPTION	P/N #
BFC2-B	black, single	54106
BFC2-W	white, single	54107
BFC2-S	stainless, single	54102

(Applicable after serial number G10020000) Start date 10-2-05

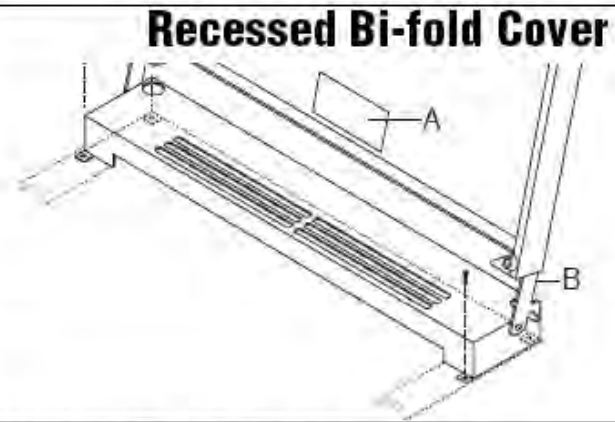
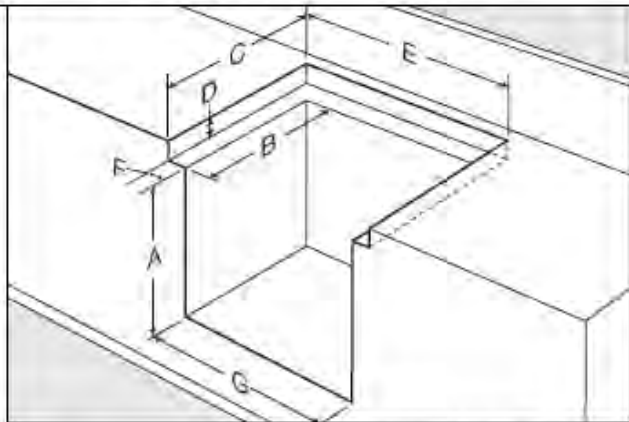
HINGE REPLACEMENT KIT 51031
includes left and right hinges



Bi-fold Cover use with UNSLOTTED TOPS

MODEL NUMBER	DESCRIPTION	P/N #
BFC1-B	black, single	56417
BFC1-W	white, single	56418
BFC1-S	stainless, single	55895

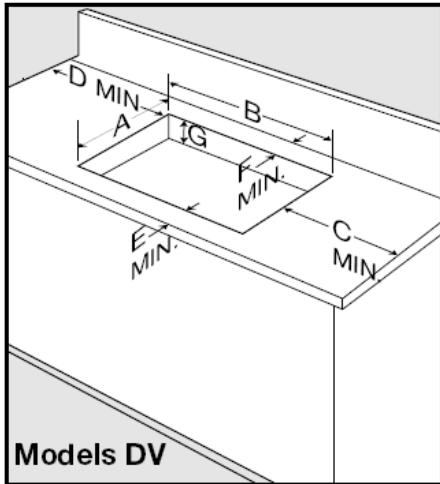
(Applicable before serial number G10020000)



COUNTER CUT OUT DIMENSIONS - RECESSED

		R OVEN			C															
LAMINATE MATERIAL	MPD PART #	17"		21"		SLIDE-IN		B		C		D		E		F		G		
		IN	MM	IN	MM	IN	MM	IN	MM	IN	MM	IN	MM	IN	MM	IN	MM	IN	MM	
1/4	6	56397	17	432	21	533	3	76	18.5	470	20.5	521	2.31	59	24.63	625	2.19	56	20.25	514
1/32	.8	56391	17	432	21	533	3	76	18.5	470	20.5	521	1.84	47	24.63	625	2.19	56	20.25	514

		RV & RA OVEN			CV & CA															
LAMINATE MATERIAL	MPD PART #	17"		21"		SLIDE-IN		B		C		D		E		F		G		
		IN	MM	IN	MM	IN	MM	IN	MM	IN	MM	IN	MM	IN	MM	IN	MM	IN	MM	
1/4	6	56397	16	406	20	508	3	76	17.75	451	19.75	502	2.31	59	24.63	625	2.19	56	20.25	514
1/32	.8	56391	6	406	20	508	3	76	17.75	451	19.75	502	1.84	47	24.63	625	2.19	56	20.25	514



CABINET & COUNTER CUT OUT CHART

CUT OUT DIMENSIONS in inches	A	B	C	D	E
DV Models - 2 Burners	11-1/2	16-1/4	3-3/8 ♦	2-5/8 ♦	1-1/2 ♦
DV Models - 3 Burners	15	19	2 ♦	3-1/16 ♦	3 ♦
	F	G			
DV Models - 2 Burners	3-3/4 ♦	2-13/16 ▶			
DV Models - 3 Burners	4-1/2 ♦	2-13/16 ▶			

♦Minimum dimension ▶ Overall depth of drop-in

Drop-In Covers

Lift-Up Drop-in Cover

Add valuable counter space with the addition of the attractive Wedgewood Vision Drop-In Cover. When in the down position, it completely covers the Drop-In and provides a stable surface as it rests on the countertop itself. When in the up position with the windguards extended (as in the photograph at right), it provides a shield against splatters to the sides and back. Available for two- and three-burner units in black, white or stainless steel. The cover comes completely assembled with mounting screws.



▼ COPY ORDER FORM AND MAIL IN WITH PAYMENT ▼

DROP IN COVER PART NUMBERS

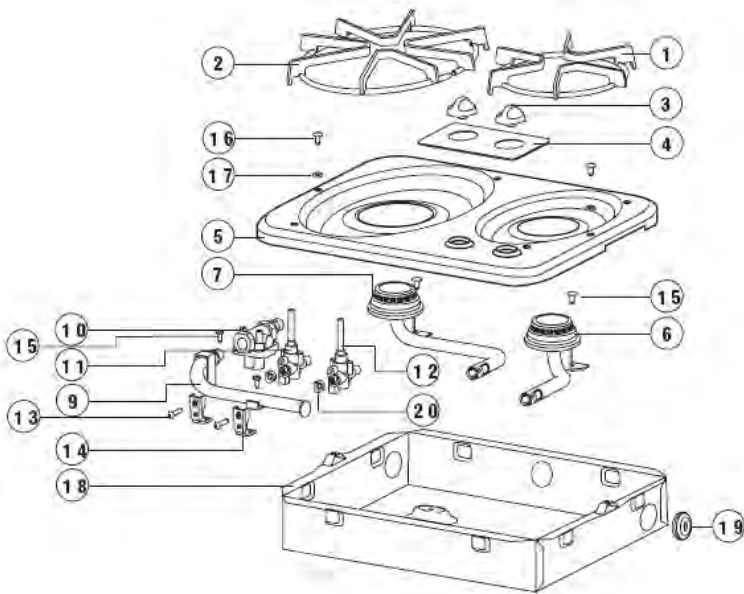
2-BURNER (DV-20)

MODEL NUMBER	COLOR	PART NUMBER
DV 2B LR	BLACK	56458
DV 2S LR	STAINLESS	56459
DV 2W LR	WHITE	56438

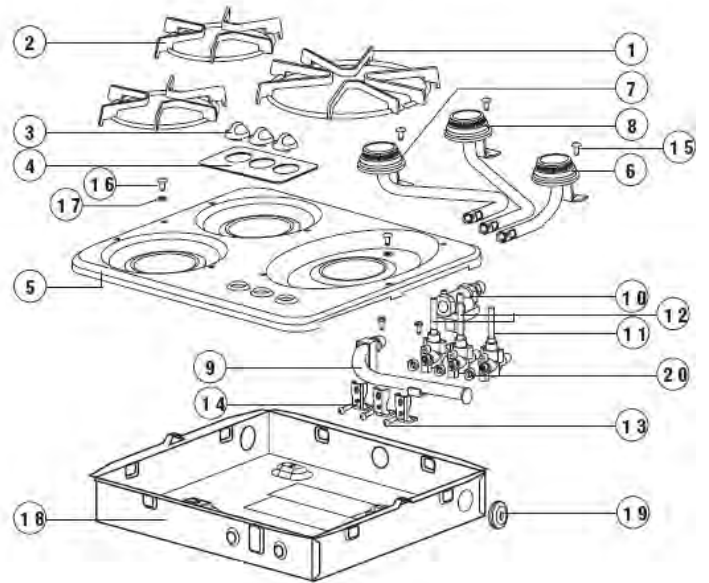
3-BURNER (DV-30)

MODEL NUMBER	COLOR	PART NUMBER
DV 3B LR	BLACK	56460
DV 3S LR	STAINLESS	56461
DV 3W LR	WHITE	56435

DV 20



DV 30



ITEM	DESCRIPTION	DV20	DV30
1	Round Grate	56378	56378 (2)
2	Oval Grate	56379	56379
3	Burner Knob	56380 (2)	56380 (3)
4	Label	56388	56491
5	Top - WHITE	57118	57115
	Top - BLACK	57119	57116
	Top - STAINLESS STEEL	57099	57102
6	Right Burner	56385	56483
7	Left Front Burner	56384	56482
8	Left Rear Burner	NA	56481
9	Manifold Pipe	56383	56478
10	Regulator	51062	51062
11	Valve 7200 Btu/h	56468	56468
12	Valve 5200 Btu/h	56469	56469 (2)
13	Screw-Valve	56480 (2)	56480 (3)
14	Valve Bracket	56479 (2)	56479 (3)
15	Screw-Burner	51325 (4)	51325 (5)
16	Screw-Top	56377 (2)	56377 (2)
17	Nylon Washer	52434 (2)	52434 (2)
18	Burner Box	56498	56476
19	Inlet Pipe Grommet	92610	92610
20	Gasket, Valve	56366 (2)	56366 (3)

Not shown Extension Tube 57181 57182

COOKING APPLIANCE LIMITED WARRANTY

Atwood Mobile Products warrants to the original owner and subject to the below mentioned conditions, that this product will be free of defects in material or workmanship for a period of two years from the original date of purchase. Atwood's liability hereunder is limited to the replacement of the product, repair of the product, or replacement of the product with a reconditioned product at the discretion of Atwood Mobile Products. This warranty is void if the product has been damaged by accident, unreasonable use, neglect, tampering or other causes not arising from defects in material workmanship. This warranty extends to the original owner of the product only and is subject to the following conditions:

1. For two years from the date of the original purchase Atwood warrants that this product will be free of defects in material and workmanship with the exceptions noted below. This warranty includes reasonable labor charges required to remove and replace the part. Service calls to the customer's location are not considered part of these charges and are therefore the responsibility of the owner.
2. This warranty does not cover the following items classified as normal maintenance and/or customer damage.
 - a. Damage, discoloration or scratches to porcelain enamel or other finishes from improper use and care.
 - b. adjustment of gas pressure
 - c. cleaning or adjustment of any burners
 - d. cleaning or replacement of burner orifices
 - e. cleaning or adjustment of pilot and thermocouple
 - f. damage to glass
 - g. products purchased for commercial or industrial use.
3. In the event of warranty claim the owner must contact in advance either an authorized Atwood Service Station or the Atwood Service Department. Warranty claim service must be performed at an authorized Atwood Service Station (a list will be provided at no charge) or as approved by the Atwood Service Department Atwood Mobile Products, 1120 North Main St., Elkhart, IN 46514 USA. Phone 866-889-3118.
4. Return parts must be shipped to Atwood Mobile Products "prepaid". Credit for shipping costs will be included with the warranty claim. The defective parts become the property of Atwood Mobile Products and must be returned to the Consumer Service Department, Atwood Mobile Products, Greenbrier Operations, 6320 Kelly Mills Road, Greenbrier, TN 37073 USA.
5. This warranty applies only if the unit is installed according to the installation instructions provided and complies with local and state codes.
6. The warranty on replacement parts is the unused portion of the original warranty period.
7. Damage or failure resulting from misuse (including failure to seek proper repair service) misapplication, alterations, water damage or freezing are owner's responsibility.
8. Atwood does not assume responsibility for any loss of vehicle, loss of time, inconvenience, expense for gasoline, telephone, travel, lodging, loss or damage to personal property or revenues. Some States do not allow the exclusion or limitation of incidental or consequential damages, so the above limitations or exclusions may not apply to you.
9. Any implied warranties are limited to two (2) years. Some States do not allow limitations on how long an implied warranty lasts, so the above limitation may not apply to you. This warranty gives you specific legal rights and you may also have other rights, which may vary, from State to State.
10. Replacement parts purchased outside the original cooking warranty carry a 90 day warranty. This includes the part at no charge and reasonable labor charges to replace it.

This Atwood product is designed for use in recreation vehicles for the purpose as stated in the 'data plate'. Any other use, unless authorized in writing by the Atwood Engineering Department, voids the warranty. Atwood/Wedgewood Vision Products include range/oven, drop-in, slide-in and high pressure stoves.

Atwood Extended Service Contract Provides These Extras!

for



ATWOOD WATER HEATER
inner tank



HYDRO FLAME FURNACE
combustion chamber



ATWOOD/WEDGEWOOD RANGE
gas valves & manifold

extends coverage to full five years

one price covers parts and labor

in-shop service
(read complete information on form below)



Also available...
Service Related Travel

Includes mileage travel expense by authorized service center

Up to 200 miles total of service travel

One full year of coverage

PLEASE USE ORDER FORM BELOW TO BEGIN EXTENDED SERVICE CONTRACT OF YOUR PRODUCT(S).

ATWOOD EXTENDED SERVICE CONTRACTS

Water Heater Tank—An extended service contract is available covering the parts and labor for replacement of the **inner tank** in the event the water heater tank develops leaks due to corrosion. This extends the original (2) two year warranty an additional (3) three years for a total of (5) five years to the original owner from the original date of purchase of the water heater or vehicle.
\$45

Furnace Combustion Chamber—An extended service contract is available covering the parts and labor for the replacement of the **combustion chamber** in the furnace in the event the combustion chamber were to prematurely fail due to defects in material or workmanship. This extends the original (2) two year warranty an additional (3) three years for a total of (5) five years to the original owner from the date of purchase of the furnace or vehicle.
\$25

Range Gas Valves and Manifold—An extended service contract is available covering the parts and labor for the replacement of **range burner valves and manifold** in the event of premature failure due to defects in material and workmanship. This extends the original (2) two year warranty an additional (3) three years for a total of (5) five years to the original owner from the original date of purchase of the range or vehicle.
\$15

All 3
\$75
Save \$10.00 by selecting all three Extended Service Contracts.

SERVICE RELATED TRAVEL MILEAGE—\$20.00 (See Explanation)

Mileage Travel Expense—Mileage travel expense is not covered by the Limited Warranty issued with each product. If it is anticipated that it may be inconvenient to transport your vehicle or Atwood product to obtain service you may choose to purchase this Service Mileage option. This will pay up to 200 miles of service travel at 20 cents per mile to an authorized Atwood Service Center whose service personnel travels to your location to perform in-warranty service work on your Atwood product. This is for (1) one year from the original date of purchase of the vehicle or Atwood water heater, furnace or range.

To qualify for any of these options, they must be purchased within 90 days of the vehicle or product purchase. Prices listed are in US DOLLARS—please make check amount accordingly. Upon receipt of this completed card together with your check or money order, Atwood will send you a written confirmation of the options you selected.

EXTENDED SERVICE ORDER FORM

Today's Date _____

Date of Purchase _____

Name _____

Address _____

City _____ ST _____ ZIP _____

Phone _____

Your RV Manufacturer's Brand Name _____

Your Dealer's Company Name _____

CONTRACT DESIRED

	Model No.	Serial No.	
ATWOOD Water Heater Tank	_____	_____	\$45.00 <input type="checkbox"/>
HYDRO FLAME Furnace	_____	_____	\$25.00 <input type="checkbox"/>
ATWOOD/WEDGEWOOD Range	_____	_____	\$15.00 <input type="checkbox"/>

Save \$10—Select All Three from above

MILEAGE TRAVEL EXPENSE \$20.00



Atwood Mobile Products
1120 North Main
Elkhart, IN 46514

ATWOOD RETURN GOODS PROGRAM

WARRANTY RETURNS – The Warranty Program, Must Return Parts List and approved Flat Rate Schedule provide the framework for Warranty Returns.

NON-DEFECTIVE RETURNS – A restocking fee of 20% will be charged for handling overstock returns or standard stock items ordered incorrectly by the customer. The product must be received in resalable condition. Product that has been specifically designed at the customer's request is non-returnable. Obsolete or outdated product will not be accepted for credit.

DEFECTIVE RETURNS – Within 30 days of sale, defective returns are to be shipped back to the respective manufacturing facility for Problem Cause Analysis (PCA), unless otherwise advised.

ALL WARRANTY RETURNS – If the PCA determines Atwood is responsible, full credit or replacement parts will be issued. If the PCA determines the customer is responsible, partial or no credit will be issued at Atwood's discretion.

SHIPPING DAMAGE – Once the product has been accepted at your facility, it is the customer's responsibility to file damage claim with the carrier.

RETURN PARTS – Before returning any part to Atwood, a Returned Goods Number (RGN) must be obtained by calling Atwood Mobile Products Service Department at 866-869-3118. Provide date of purchase, model and serial number for appliances, and make, model and last 8 digits of VIN for hardware, windows and doors. If claims are not submitted within 6 months from the date of repair, claims will not be considered.

SHIPPING – If the PCA determines Atwood is responsible for the disposition of a defective and/or warranted part, reasonable shipping charges are reimbursed. All products not shipped via Atwood trucks should be shipped prepaid via UPS Ground when able (unless negotiated at the time the RGN is given). **No collect shipments will be accepted.**

PACKAGING – The RGN must be identified on each container and all packing information. Product returned must be packaged to prevent shipping damage. Full credit will not be issued on product sent back in an open skid or improperly packaged. Additional product boxes are available upon request when applicable. Warranty Claims must be submitted to the correct division.

MUST RETURN PARTS LIST – Atwood requires the defective part to be returned with the warranty claims form. Failure to accompany your claim with the part will result in the non-shipment of a replacement part, or the non-processing of the appropriate credit until the part is received by Atwood.

Before returning the part, an RGN (Return Goods Number) must be obtained by calling the Atwood Service Department at 866-869-3118. This RGN is required for all products. Without this RGN appearing on the outside of the shipping carton, the shipment will be refused by our Receiving Department.

RETURN CREDIT – Credit will be issued 30 days after product is returned or RGN is dispositioned.

PARTS MUST BE RETURNED TO THE CORRECT DIVISION

**Jacks, Couplers, 5th Wheel,
Leveling, Braking Systems &
Seating Products**
57912 Charlotte Avenue
Elkhart, IN 46517

**Creation Brand Mfg. Housing
Windows & Doors, RV Doors,
Ladders & Gas Bottle Assemblies**
2701 Ada Drive
Elkhart, IN 46514

**Water Heaters, Ranges, Ovens
Slide-Ins & Drop-Ins**
6320 Kelly Willis Road
Greenbrier, TN 37073

Glass
5406 U.S. 24
Antwerp, OH 45813

**Furnace, LP & CO Detectors &
Distribution Panels (Convertors)**
1874 South Pioneer Road
Salt Lake City, UT 84104

MUST RETURN PARTS LIST

Hardware

All Parts*

Water Heaters

Circuit boards*
Complete water heaters
Electric thermostats*
Gas solenoid valves
Mixing valves
Gas thermostat valves
Heating elements & gaskets*
Inner tanks
Pilot assemblies
Pressure temperature relief valves
Spark probe assemblies*
Relay kits*
Gas controls*

Ranges, Ovens, Slide-Ins & Drop-Ins (cooktops)

12 volt ignition module
Burners with ignition
Rotary piezo
Burner valves
Complete ranges (by approval only)
Oven thermostats
Thermocouplers
Pilot assemblies
Regulators*
Oven door

Furnaces, Detectors & Distribution Panels

All parts*

Seating Products & RV Doors

All parts

* Required for Canadian returns

FOR EFFICIENT PROCESSING OF CLAIM

1. **CALL** for RGN #: 866-869-3118
2. **COMPLETE** Warranty Service Report form.
3. Clearly **MARK THE PART** with the RGN #.
4. **PACKAGE** defective part, **INCLUDE** the Warranty Service
5. Clearly **MARK THE OUTSIDE OF THE PACKAGE** with the RGN #.
6. **SEND THE PART TO THE CORRECT DIVISION** of Atwood Mobile Products LLC

 **Atwood**
Atwood Mobile Products LLC
1120 North Main Street • Elkhart, IN 46514
PHONE: 574•264•2131 FAX: 574•206•9713
www.atwoodmobile.com

#: _____

CALL TOLLFREE - 866-869-3118 OR FAX 574-206-9655

APPROPRIATE BOX BELOW

HARDWARE-JACKS, COUPLERS, 5TH WHEEL HARDWARE & BRAKING SYSTEMS

RETURN TO:
Atwood Mobile Products
57912 Charlotte Avenue
Elkhart, IN 46517

FURNACES, ALARMS & DISTRIBUTION PANELS

RETURN TO:
Atwood Mobile Products
Salt Lake Operations
1874 S. Pioneer Road
Salt Lake City, UT 84104

RANGES, COOKTOPS, DROP-INS & WATER HEATERS

RETURN TO:
Atwood Mobile Products
Greenbrier Operations
6320 Kelly Willis Road
Greenbrier, TN 37073

DIR/SVC. CTR. NAME		CUSTOMER NAME	
ADDRESS		ADDRESS	
CITY/STATE/ZIP		P.O. BOX	
FAX #	CUSTOMER #	CITY/STATE/ZIP	
TELEPHONE #	TECHNICIAN'S NAME	TELEPHONE	PARTS INVOICE #
APPLIANCE MODEL #	APPLIANCE SERIAL #	DATE OF PURCHASE	DATE OF REPAIR
VIN # (HARDWARE CLAIMS ONLY)	SPEC # (WATER HEATERS ONLY)	STYLE OF RV & YEAR	MAKE OF RV (DO NOT USE BRAND NAMES)

PROBLEMS ENCOUNTERED -	PART # USED	PART COST	TIME	LABOR COST

CHECK LIST: 1. Form must be complete and included with returned part. 2. Mark part with RGN. 3. RGN must be on the outside of the package.	Parts used will automatically be replaced to your stock at no charge, freight prepaid, unless a copy of your purchase invoice is provided.		PARTS TOTAL	\$
	<p>_____ TECHNICIAN SIGNATURE</p> <p>_____ CUSTOMER'S SIGNATURE</p>		LABOR TOTAL	\$
			FREIGHT	\$
			TOTAL AMOUNT CLAIMED	



Atwood Mobile Products LLC
 1120 North Main Street • Elkhart, IN 46514
 PHONE: 574•264•2131 FAX: 574•262•2550
 INTERNET: <http://www.atwoodmobile.com>

Recreation Vehicle Flat Rate Ranges Schedule

11/28/06

TIME ALLOWANCE SCHEDULE in hours

	RA 33 RA 32	RV 33 RV 32	CV 33 CA 33 CV 32 CA 31	DV-30 DV-20
Complete Unit.....	1.0	1.0	.7	.5
Bifold Cover.....	.2	.2		
Burner Head.....	.3	.3	.3	.3
Burner Head Electrode.....	.3	.3	.3	.3
Burner, Oven.....	.3	.3		
Cover, Manifold.....	.6*	.6*	.4*	.4*
Handle.....	.2	.2		
Hinge, Door.....	.5	.5		
Ignition Module.....	.7	.7	.7	
Ignition Switch.....	.7	.7	.7	
Oven Control (Thermostat).....	1.0*	1.0*		
Oven Door.....	.3	.3		
Maintop.....	.2	.2	.2	.2
Manifold, Pipe.....	.5	.5	.5	.5
Piezo Igniter.....	.5	.5	.5	
Regulator.....	.5*	.5*	.5	.5
Safety Valve/Pilot Assembly.....	.5	.5		
Seal.....	.3	.3		
Spring, Hinge.....	.3	.5		
Trim, Bottom.....	.6*	.6*		
Trim, Maintop, LH/RH.....	.9*	.9*	.6*	
Trim, Vent Top.....	.7*	.7*	.5*	
Valve, Burner.....	.6	.6	.6	.6
All Other Parts.....	.5*	.5*	.5	.5

* indicates 0.5 hours will be allowed to remove and install the appliance. If two or more parts are replaced on the same appliance during the repair, the R & R allowance to remove the appliance will be applied to only one part.

NO LABOR IS ALLOWED TO CHANGE KNOBS

Above time allowances include all operations involved in the diagnosis, location and replacement of part. Also, included is the time required to remove and replace any part or assembly that is in the path of a part being replaced and gas leak test when applicable.

Note: Warranty claims must be filed and received within six months from the date of repair. Claims received beyond this time frame will not be considered for warranty payment.

INFORMATION NOTICE

RECREATION VEHICLE LP PRESSURE DROP LEAK TEST

2/13/03

1. Attach pressure gage downstream of an appliance regulator. Pressurize entire recreation vehicle LP piping system to between 10" (250 mm) and 14" (350 mm) water column and then turn off pressure source.

FIGURE 1 shows a pressure gage fitted over an opened center burner valve of the recreation vehicles range.

Note: The system pressure of 13" water column reaches the gage under a no-flow condition. Under flow conditions the pressure should read 10" water column.)

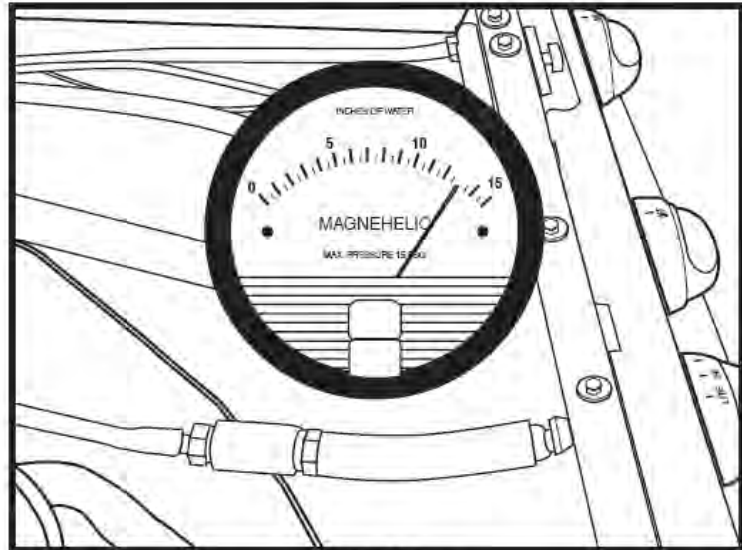


FIGURE 1

2. Reduce system pressure to 8" (200 mm) water column (see FIGURE 2) so that the appliance regulator is in an open condition by opening an adjacent valve. Skipping this step will invalidate the results.

During a 3-minute period a pressure drop shall not occur.

Note: This test is ONLY valid when performed using the entire recreation vehicle LP piping system.

The piping system of the RV must be the same temperature as the ambient air or there will be changes in pressure due to expansion and/or contraction.

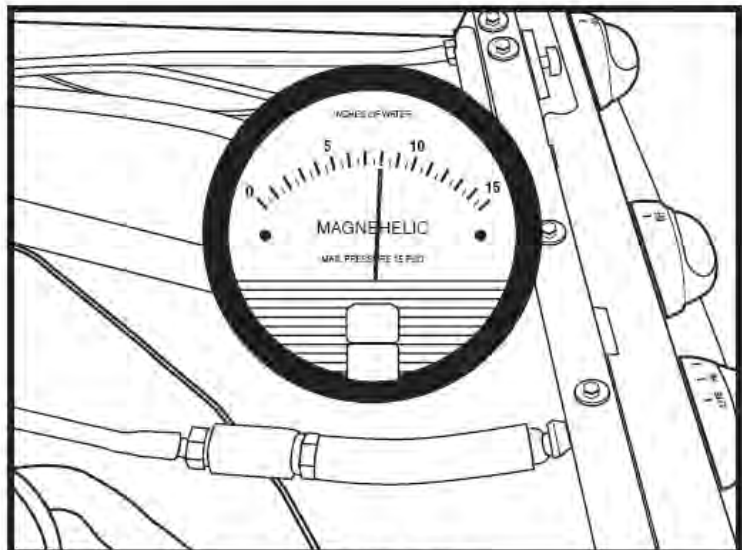


FIGURE 2



1120 North Main Street • Elkhart, IN 46514
 PHONE: 574-264-2131 FAX: 574-206-9713
 INTERNET: <http://www.atwoodmobile.com>

LITERATURE NUMBER **MPD 50108**

INFORMATION NOTICE

REPLACEMENT OF BURNER TUBES ATWOOD SEALED BURNER COOKING APPLIANCES

11/21/07

INSPECTION AND REPLACEMENT INSTRUCTIONS FOR BURNER TUBES

This recall program applies to Atwood Sealed Burner Cooking Appliances manufactured between December 3, 2006 and April 6, 2007 with a model number beginning with 'R-A33' or 'C-A33'.

Verify the manufacture date of the range or slide-in cooktop by looking down through the slotted vents on the back of the range top. **DO NOT REMOVE THE RANGE TOP TO READ THE MANUFACTURE DATE.** If there is a green dot label affixed to the burner box near the manufacture date, the burner tubes on this unit have already been replaced. Fill out and return the repair verification form as instructed.

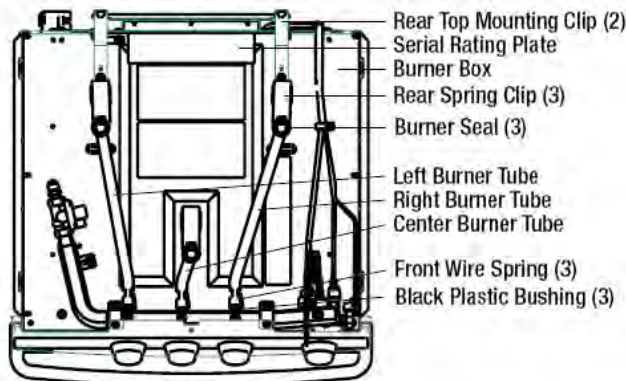
If there is no green dot label, and your manufacture date and model falls within the scope of this notice, have a qualified technician perform the following instructions:



CAUTION
ONLY A QUALIFIED TECHNICIAN
MUST REPLACE BURNER TUBES

REMOVE TOP:

1. Remove top by pushing with thumb and palm on back ridge of top to slide top back.
2. With top still slid back, lift up on front corner to reveal burner box and burner tubes. Disconnect spark wires from burners if necessary.

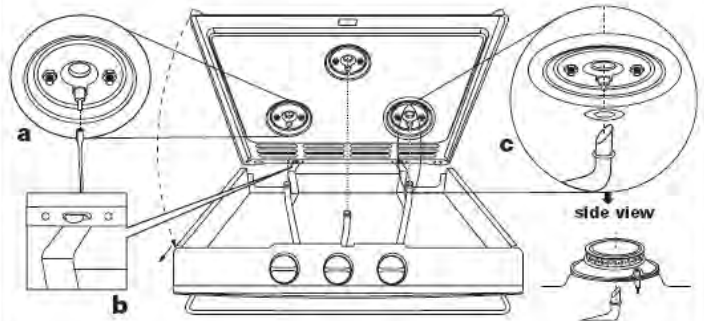


REMOVE BURNER TUBES:

1. Remove and discard the three burner seals.
2. Disconnect left rear burner tube by pushing the rear spring clip back and pivot burner tube flanged collar away from rear spring clip.
3. Disconnect front of left burner tube by pulling wire clip away from burner tube and slide burner tube off of burner valve orifice.
4. Retain rear spring clip, front wire clip, and black plastic bushing on burner valve orifice all in original positions.
5. Repeat steps 2 - 4 to remove right and center burner tubes.
6. **DO NOT DISCARD OLD BURNER TUBES, they must be returned to Atwood. Follow the procedure in your letter.**

INSTALL NEW BURNER TUBES:

1. Install front of left burner tube over black plastic bushing on burner valve orifice. Pull tube towards you until spring clip snaps into square opening in burner tube.
2. Slide burner tube back and forth to verify the front wire spring clip retains burner tube on burner valve.
3. Push rear spring clip back and pivot flanged collar on left burner tube into slot in rear spring clip.
4. Repeat steps 1 - 3 for center and right burner tube installation.
5. Install three new burner seals, one per burner.



REINSTALL RANGE TOP:

1. Place the top on the range with the tabs on the spring clips in the slots on the top (b).
2. Attach spark wires to burners (a), routing the wires away from the center of the burners.
3. Burner tube gaskets must be in place (c).
4. Rotate the top downward to insure all three-burner tubes fit up into the burner caps (c). Using a side-to-side motion when rotating the top down may make this easier.
5. Once the tubes are up into the burner cap, push backwards on the top until the bracket(s) on the front of the top fits into the control panel.
6. Check each burner for proper lighting to ensure that the burner tube has been inserted into the burner head.



Atwood Mobile Products LLC
1120 North Main Street • Elkhart, IN 46514
PHONE: 574•264•2131 **FAX:** 574•262•2550
INTERNET: <http://www.atwoodmobile.com>

Literature Number MPD 57562

RANGE/OVEN DOOR REMOVAL AND REPLACEMENT INSTRUCTIONS


ENGLISH

Effective 11/19/08

SAFETY ALERT SYMBOLS

Safety Symbols alerting you to potential personal safety hazards. Obey all safety messages following these symbols.

 **WARNING**
avoid possible
injury or death

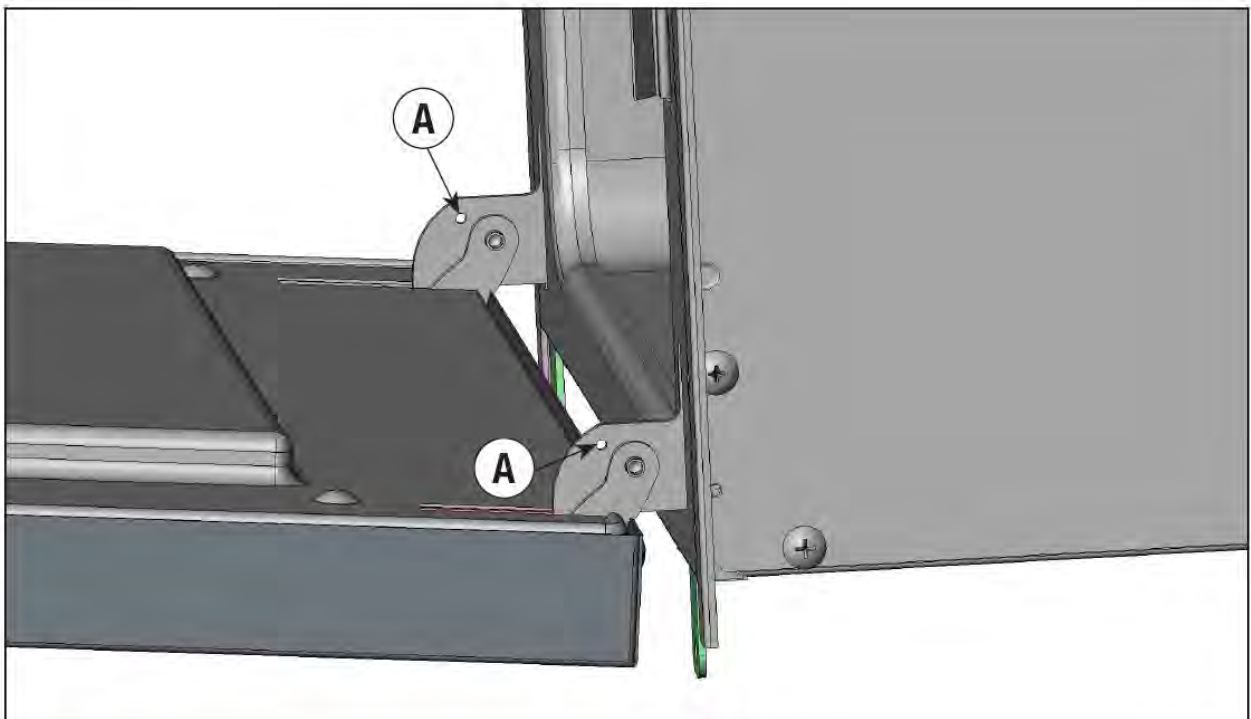
 **CAUTION**
avoid possible
injury and/or property damage

FOR YOUR SAFETY READ ALL INSTRUCTIONS BEFORE INSTALLATION

RANGE/OVEN DOOR REMOVAL AND REPLACEMENT INSTRUCTIONS

1. Open oven door so that the hinges on each side of the door are visible. Place a metal pin (nail, cotter pin etc) in the hole (FIG A) of the hinges on each side of the door. This will stop the hinges on each side of the door from closing completely.

2. Close the door so that the metal pin stops the hinges on each side of the door from folding up completely.
3. Lift the door up and off the hinges on each side of the door and away from the range.
4. To replace the door on the hinges on each side of the door, line up the hinge slots in the door panel with the hinges and allow the door to slide onto the hinges.
5. Open the door so as to relieve the pressure of the closed hinges from the metal pins and remove the pins from the hinges.
6. Allow the door to close





A Division of Dura Automotive Systems

1120 North Main Street • Elkhart, IN 46514

PHONE: 574•264•2131 FAX: 574•262•2550

INTERNET: http://www.atwoodmobile.com

INFORMATION NOTICE

BI-FOLD COVER

LP Gas Range & Slide-In Cooktops -
RV, CV, RA, CA (33) MODELS

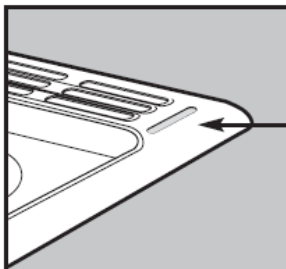
Effective 9/25/06

Effective October 2006, all Atwood Bi-Fold covers will be manufactured with a new hinge/arm operating mechanism.

- ▶ No dimensional change to the cover or cooking appliance.
- ▶ The bi-fold covers are compatible with all appliance tops currently produced since March 2006.

Bi-Fold Cover Part Number Changes

MODEL NUMBER	DESCRIPTION	OLD P/N #	NEW P/N #
BFC2-B	black, single	56417	54106
BFC2-B	black, 5-pack	54005	54108
BFC2-W	white, single	56418	54107
BFC2-W	white, 5-pack	54004	54109
BFC2-S	stainless, single	55895	54102
BFC2-S	stainless, 5-pack	55902	54105



All appliance tops manufactured since March 2006 will have slots on the back to accept the new hinge/arm.

Refer to MPD 53129 for complete Bi-Fold Cover instructions.

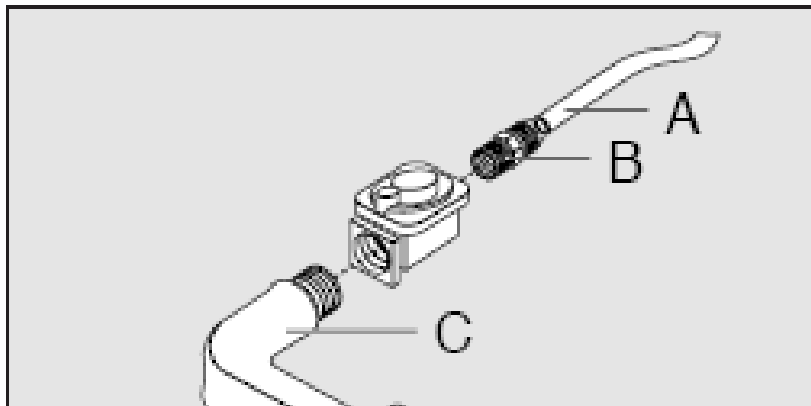


1120 North Main Street • Elkhart, IN 46514
PHONE: 574-264-2131 FAX: 574-206-9713
INTERNET: <http://www.atwoodmobile.com>

LITERATURE NUMBER **MPD 53405**

REGULATOR REPLACEMENT

Effective 11/21/07



For complete Wedgewood range & cooktop instructions consult MPD 58280.

INSTALLATION PROCEDURE-

Note: Before installing new regulator apply a small amount of pipe sealant suitable for use in a LP gas system to pipe threads of fitting on manifold and pipe threads of fitting that will be reinstalled to inlet of regulator.

Note: Be sure to install regulator with arrow on body of regulator in the direction of gas flow (pointing towards manifold).

1. Install new regulator following instructions in reverse order.
2. After installation is complete turn on gas supply.

⚠ WARNING

EXPLOSION OR FIRE

- Do not use matches, candles or other sources of ignition to test fittings and gas lines for leaks.

3. Check all connections for gas leaks using a non-corrosive leak detection fluid. Do not use a soap and water solution. Leak test in excess of 8 oz. per square inch (1/2 psi) of air pressure will invalidate warranty.

