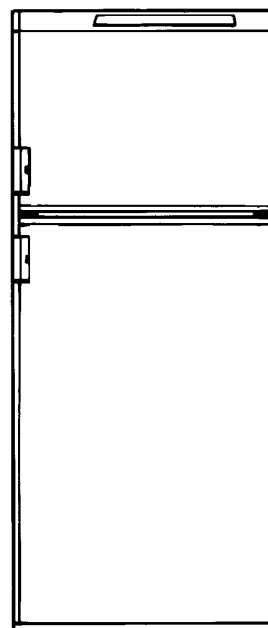


When ordering spare parts
 Always state: Model - Quantity - Part Number - Description
 For electric details also:
 Voltage - Wattage
 Delete spaces and slashes in the part numbers
 Add 0 to part numbers with less than ten digits



BFS00409

Product number	Model	Voltage V	Door left/right	Market
9215956-01	RM2812	120	L	US,CA
9215957-01	RM2812	120	R	US,CA

USA

Service Office
 The Dometic Corporation
 509 South Poplar St
 La Grange, IN 46761
 219-463-4858

For service center assistance call:
800-544-4881

CANADA

Dometic Distribution Inc
 866 Langs Drive
 Cambridge, Ontario
 N3H 2N7
 519-653-4390

Refrigerators RM2812

1997 The Dometic Corp.
 LAGRANGE, IN 46761

599 25 89-72/0

ALPHABETICAL INDEX

	Page	POS. NO
Cabinet, exterior components	4-5	1-117
Cabinet, interior components	6	3-75
Cabinet, rear view	7	100-145
Control & Burner components	8-9	1-146
Door Asm	3	1-20
Wiring Diagram	10	--
		258846T1

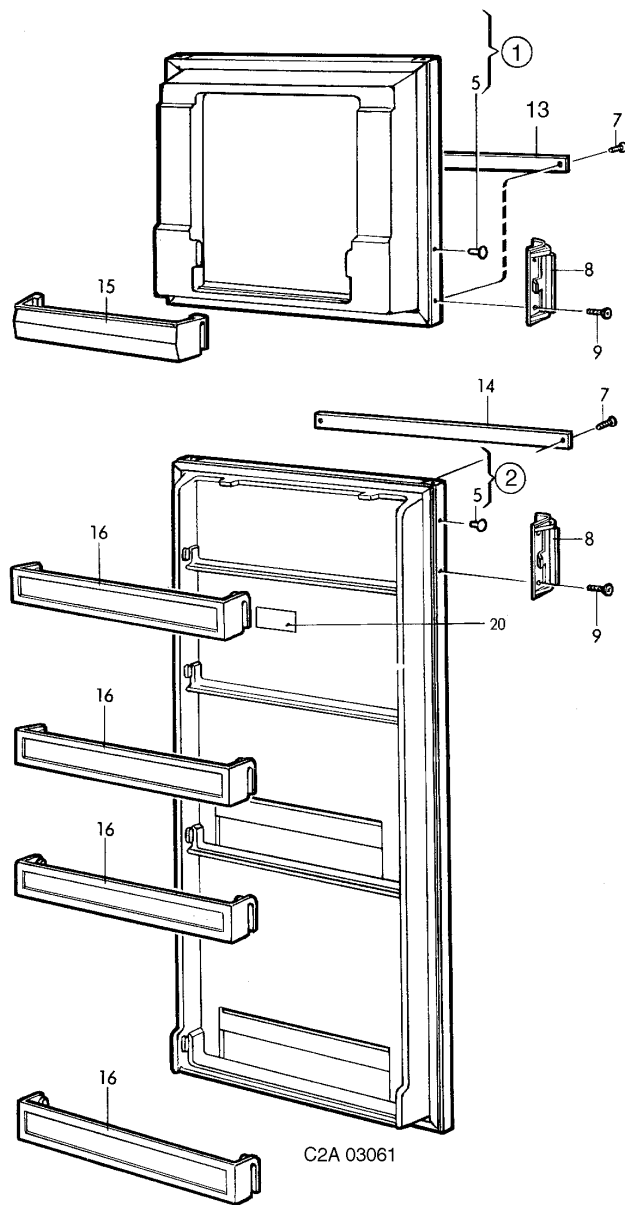
SPECIFICATIONS

PRODUCT NO.*	921595601 921595701
Energy Source **	120VAC/GAS
AC Heating Element	
Watts	325
Ohms	44
Amperage	2.7
BTU's Gas Burner	1500
Jet Size	#58
Baffle	
Size	5-1/4" x 3/4"
Position Above Burner	1-3/4"
Ice Trays	0
Crisper	1
Bottle Holders	0
Climate Control Heater	
Watts	6
Ohms	24
Amperage	.5

* Product number located on refrigerator data plate.

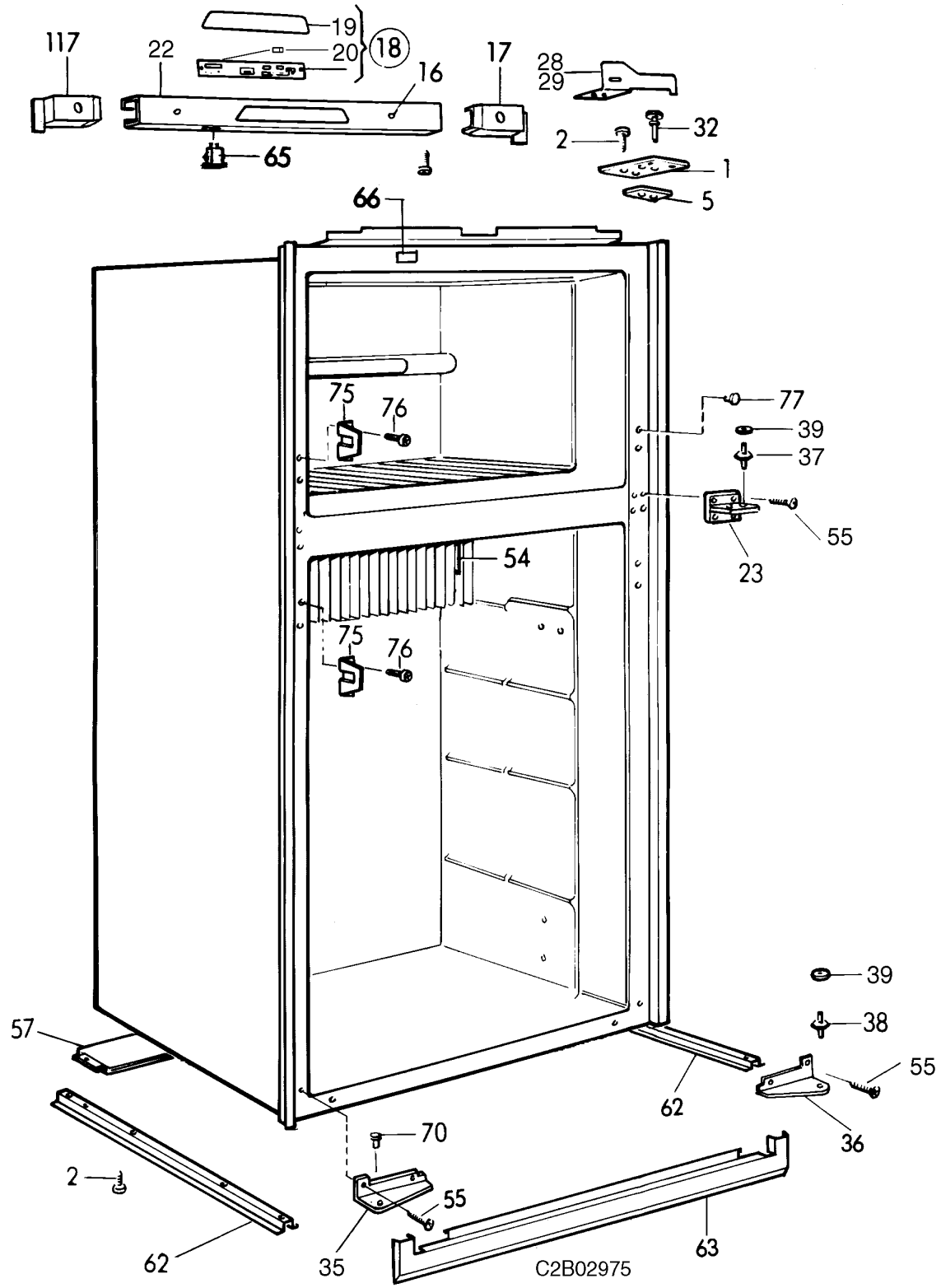
258972T2

** 12 volt DC power is required to operate the refrigerator controls on all models.

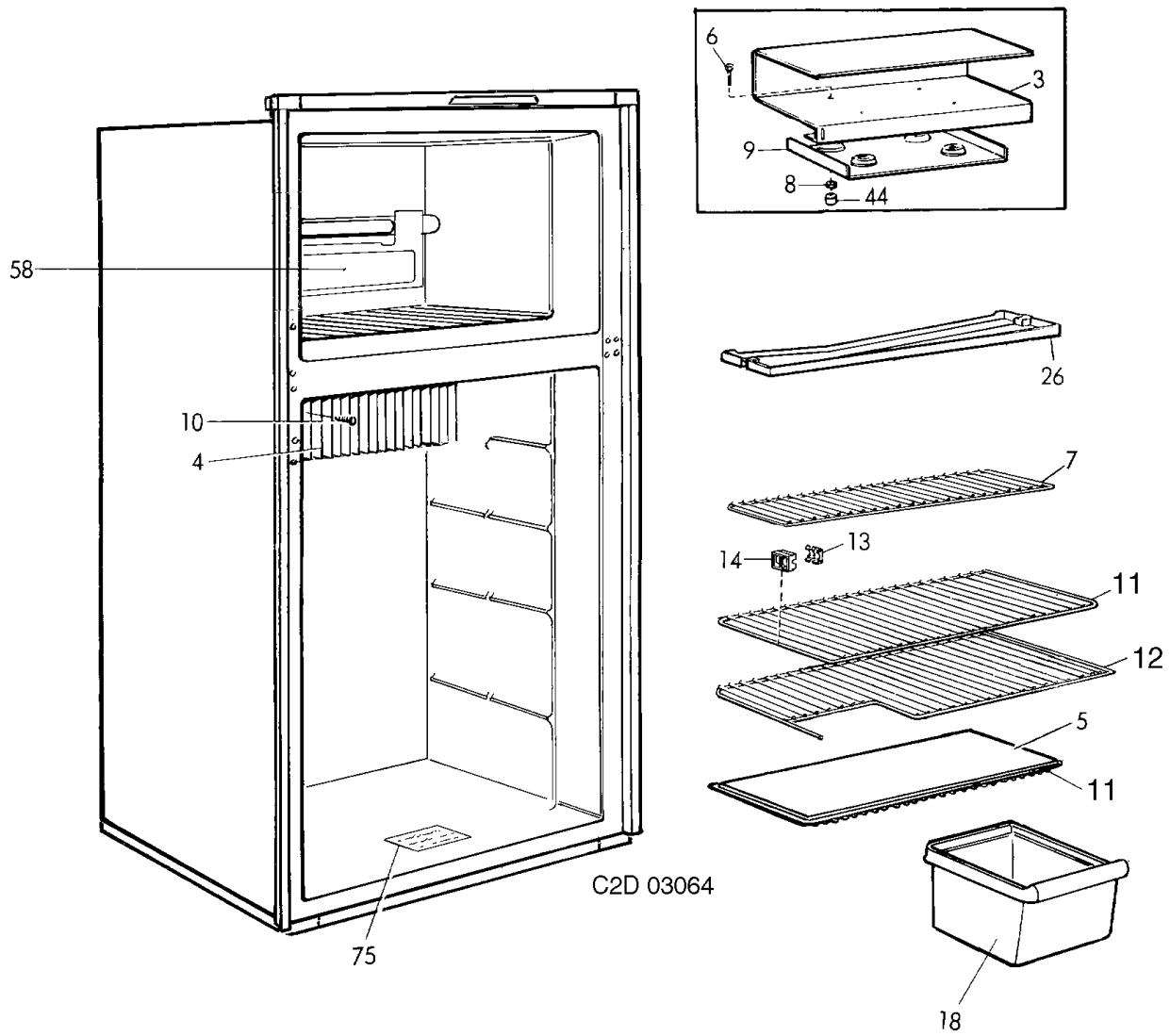


A = RM2812 (921 59 56-01)
 B = RM2812 (921 59 57-01)

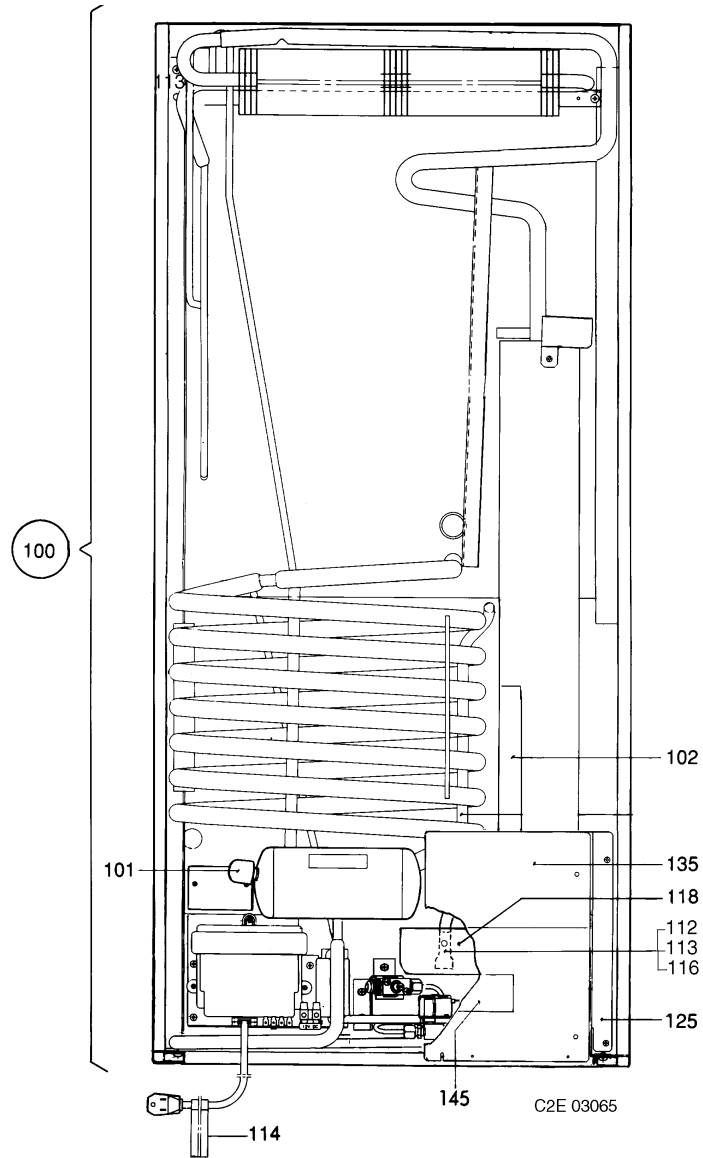
POS. NO	PART NO		DESCRIPTION
1	293 15 91-11/5	A B	Door,upper
2	293 15 90-11/7	A B	Door,lower
5	293 15 10-03/2	A B	* Plug
7	729 52 29-01/2	A B	Screw,B4x16,zincplated
8	293 16 00-02/3	A B	Handle,cpl.
9	729 52 25-01/0	A B	Screw,RXS,B4x10,zincplated
13	293 15 83-02/1	A B	Decoration
14	293 15 83-19/5	A B	Decoration
15	293 14 18-02/0	A B	Shelf door-
16	200 17 32-15/1	A B	Shelf door-
20	293 27 22-00/8	A B	Label



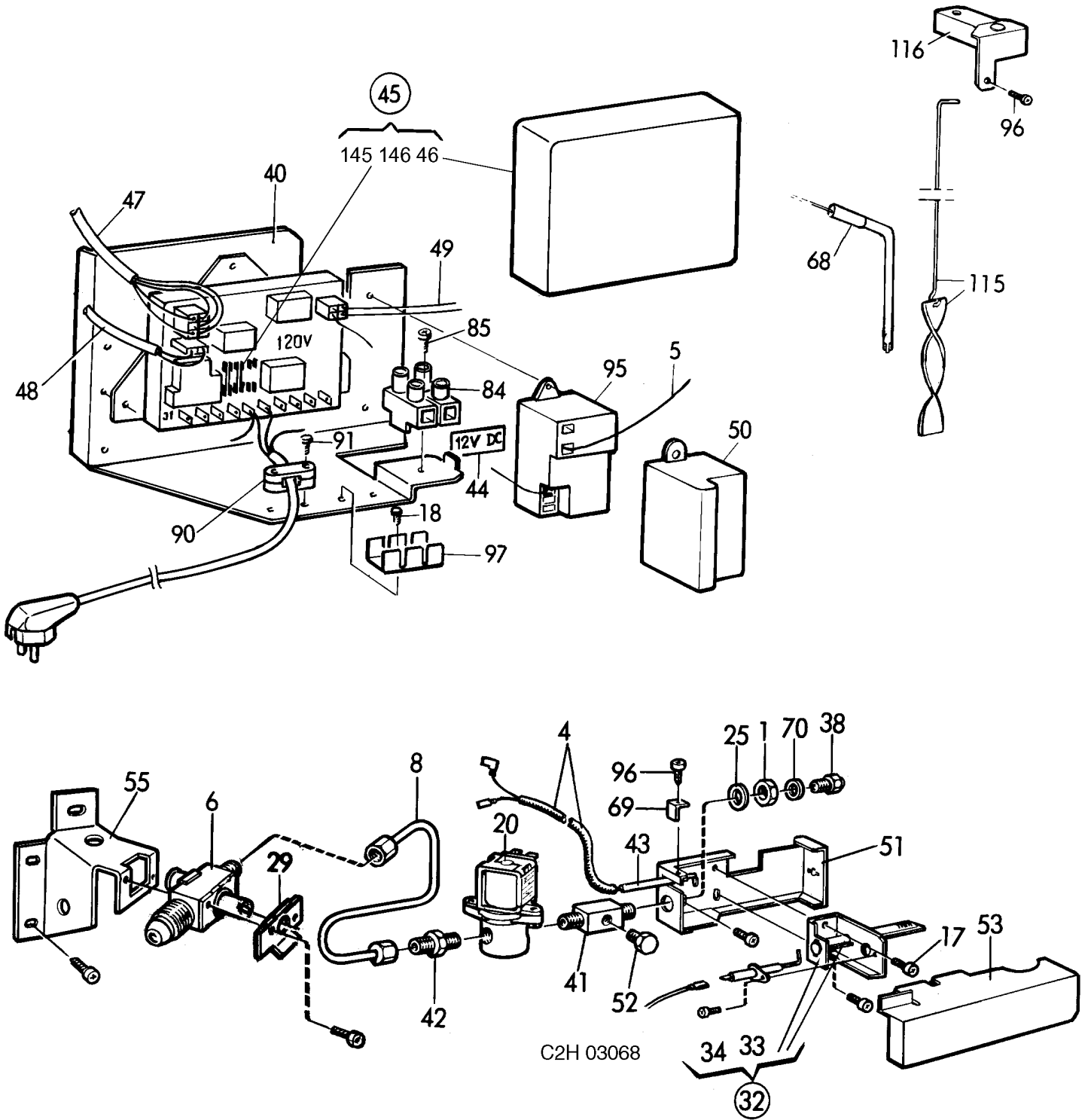
POS. NO	PART NO	DESCRIPTION
1	293 12 91-01/3	Hinge,upper
2	724 13 28-61/1	Screw,M5x14,zincplated
5	293 12 92-01/1	Washer
16	293 01 32-06/9	Plug
17	293 18 66-01/2	Side plate,right
18	293 27 71-01/3	Circuit board
19	95 50 30-24/2	* Decoration
20	95 50 24-13/8	* Button
22	293 18 65-11/3	Front
23	293 12 89-01/7	Hinge,middle
28	293 21 25-01/2	Bracket,left
29	293 21 25-02/0	Bracket,right
32	293 12 88-01/9	Hinge pin,upper
35	293 21 11-01/2	Hinge,left
36	293 21 11-02/0	Hinge,right
37	293 12 87-01/1	Hinge pin,middle
38	293 16 23-01/7	Hinge pin,lower
39	734 49 04-03/7	Washer
54	293 19 76-01/9	Retainer probe
55	724 32 91-61/9	Screw,M4x12,zincplated
57	293 06 64-01/2	Protection plate
62	293 21 10-01/4	Runner
63	293 21 12-04/4	Base front
65	293 18 76-01/1	Switch
66	293 21 65-00/0	Label
70	293 12 84-02/6	Plug,dark grey
75	293 15 11-01/4	Bracket
76	729 52 21-01/9	Screw,RXS,B4x6,5,zincplated
77	293 15 10-03/2	Plug
117	293 18 66-02/0	Side plate,left



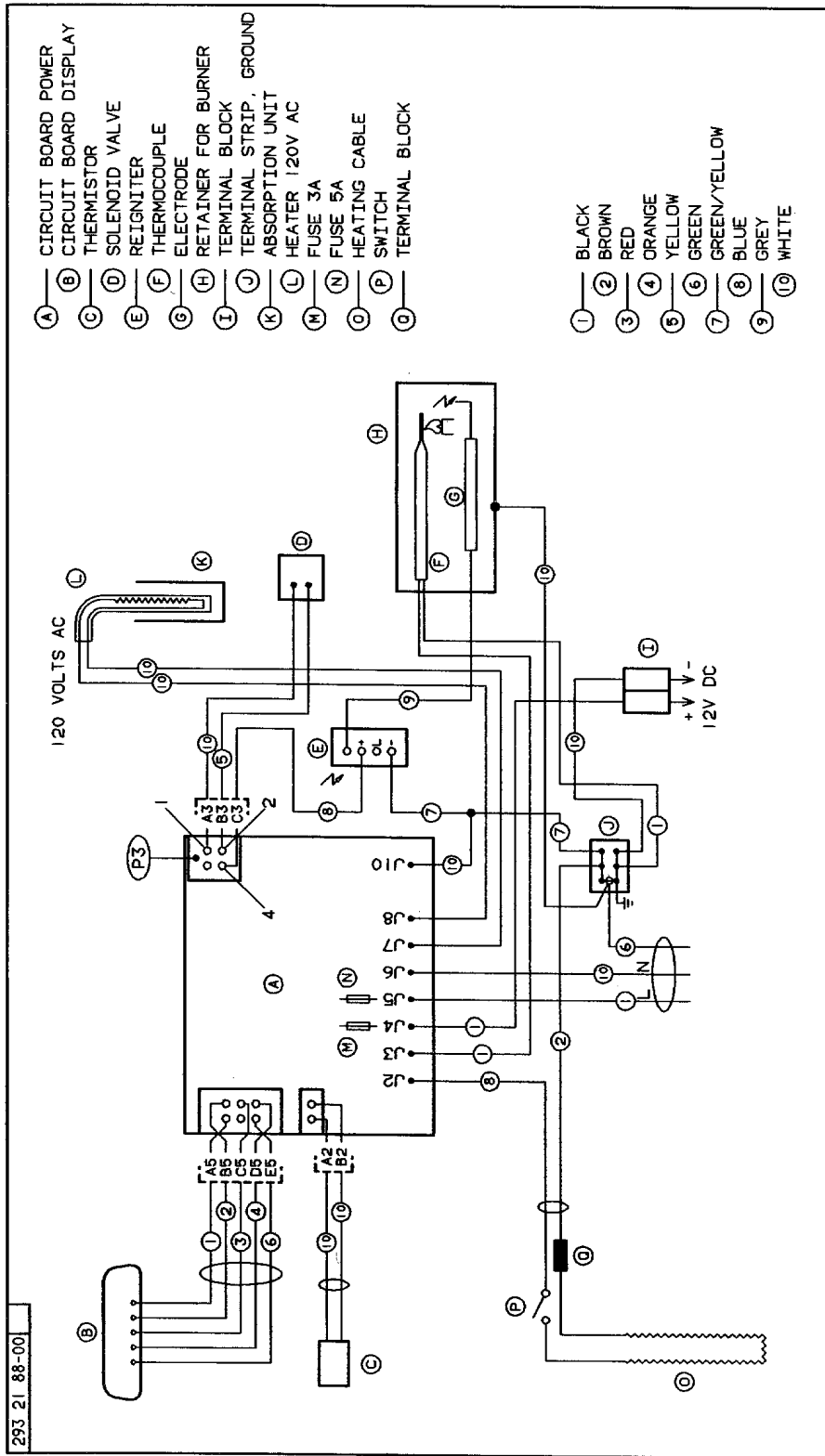
POS. NO	PART NO	DESCRIPTION
3	200 75 35-03/8	Shelf
4	200 76 05-01/3	Cooling flange
5	293 11 17-05/1	Shelf,plastic
6	725 23 30-13/4	Screw,M6S,5x20,FN
7	200 26 52-26/7	Shelf,D approx 7,5"
8	731 43 14-13/4	Nut,,M5,brass,FN
9	200 76 49-01/1	Plate
10	729 54 22-11/2	Screw,RXS,B10x38,FN
11	293 01 33-11/7	Shelf,D approx 12"
12	200 26 52-25/9	Shelf,D approx 12"
13	200 73 93-02/4	Flap lock,outer
14	200 73 92-02/6	Flap lock,inner
18	200 27 26-09/5	Box vegetable-
26	200 76 10-01/3	Drip tray
44	293 04 87-00/0	Lid
58	293 10 06-01/5	Coverplate
75	293 27 76-00/4	Sign plate



POS. NO	PART NO	DESCRIPTION
100	293 49 03-99/4	Cooling unit,2934903-01 +emb
101	17 32 28-00/8	* Cap
102	293 35 57-00/7	* Cover
112	293 21 15-01/3	Plug
113	293 26 92-01/1	Hose drainage-
114	293 27 33-00/5	Label
116	293 18 29-01/0	Outlet tube
118	293 18 28-01/2	Tray
125	293 07 84-01/8	Protection plate
135	293 07 85-01/5	Protection plate
145	293 27 23-00/6	Label



POS. NO	PART NO	DESCRIPTION
1	14 02 07-04/4	Nut
4	293 20 01-01/5	Hose
5	200 76 68-05/2	Conductor
6	200 77 09-04/7	Cock gas-
8	293 21 17-01/9	Tube gas-
17	724 12 87-61/9	Screw,m4x8,zincplated
18	724 12 89-61/5	Screw,MRX,M4x10,zincplated
20	294 32 98-03/0	Valve solenoid-
25	734 58 42-01/2	Washer
29	293 08 11-01/9	Protect. washer
32	293 06 97-02/0	Burner
33	293 03 79-00/9	* Electrode
34	729 52 21-01/9	* Screw,RXS,B4x6,5,zincplated
38	200 74 19-21/7	Jet,no 58
40	293 18 22-01/5	Retainer
41	293 18 24-01/1	Nipple
42	293 20 63-01/5	Nipple
43	293 18 26-01/6	Couple thermo
44	293 18 27-00/6	Sign plate
45	293 27 70-01/5	Circuit board,assy
46	293 18 58-01/9	* Cover
47	293 18 62-01/1	Conductor circuit board,cpl.
48	293 18 63-03/5	Conductor thermistor
49	295 44 37-01/4	Conductor gasvalve
50	293 18 86-01/0	Cover
51	293 19 13-01/2	Burner housing
52	16 93 80-00/3	Screw
53	293 15 72-01/6	Protection plate
55	293 21 16-01/1	Cantilever
68	17 37 42-16/4	Heater,325w,120 V
69	293 06 60-01/0	Retainer
70	200 74 57-00/1	Washer
84	293 04 63-01/9	Terminal block
85	729 52 87-40/8	Screw,RXS,B6x25,stainless
90	56 10 14-01/0	Anti-strain clip
91	729 52 85-40/2	Screw,RXS,B6x19,stainless
95	293 11 32-01/9	Spark ignition device
96	729 52 79-01/7	Screw,RXS,B6x10,zincplated
97	293 03 27-00/8	Terminal rail
115	200 75 90-06/6	Baffle
116	293 15 40-01/3	Flue
145	294 35 41-00/9	Fuse,3A
146	294 35 42-00/7	Fuse,5A



Manual provided courtesy
Bryant RV Services
www.byantrv.com

All manuals are believed to be released for distribution, and/or in the public domain.

Service manuals provided with the understanding that persons using them are well versed in proper safety practices, and are familiar with basic safety procedures, including, but not limited to safety procedures dealing with 120 volt electricity, high amperage 12 volt circuits an LPG (propane) systems.

If in doubt, consult a professional (better safe than sorry).