

INSTALLATION INSTRUCTIONS

Model F11-12 Blower Kit

(12 Volt D.C. Only)

GENERAL

This optional blower assembly is for installation in the Nos. 11H, 11HL and 11HR Series DUO-THERM gravity sealed combustion system wall furnace for installation in a mobile home or travel trailer. This assembly operates on 12 VDC ONLY.

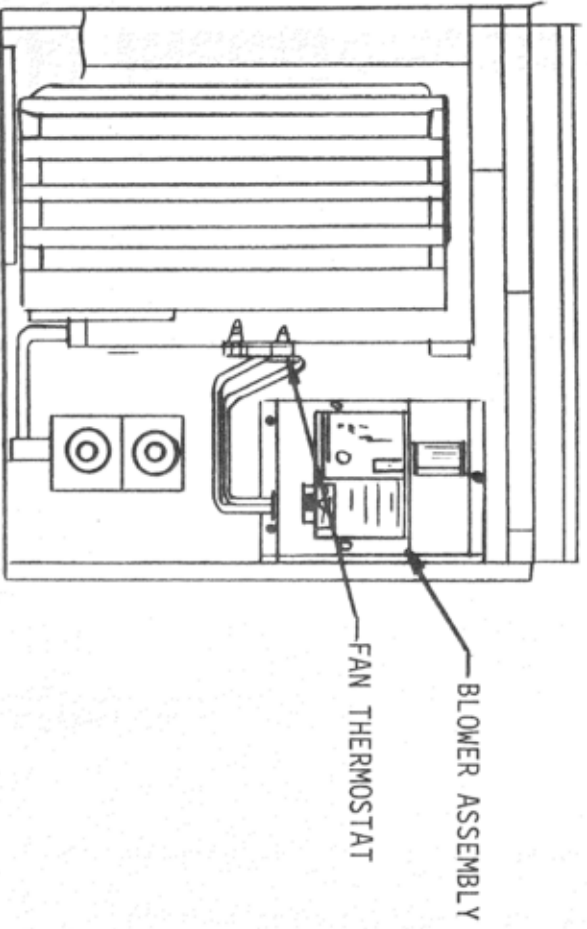
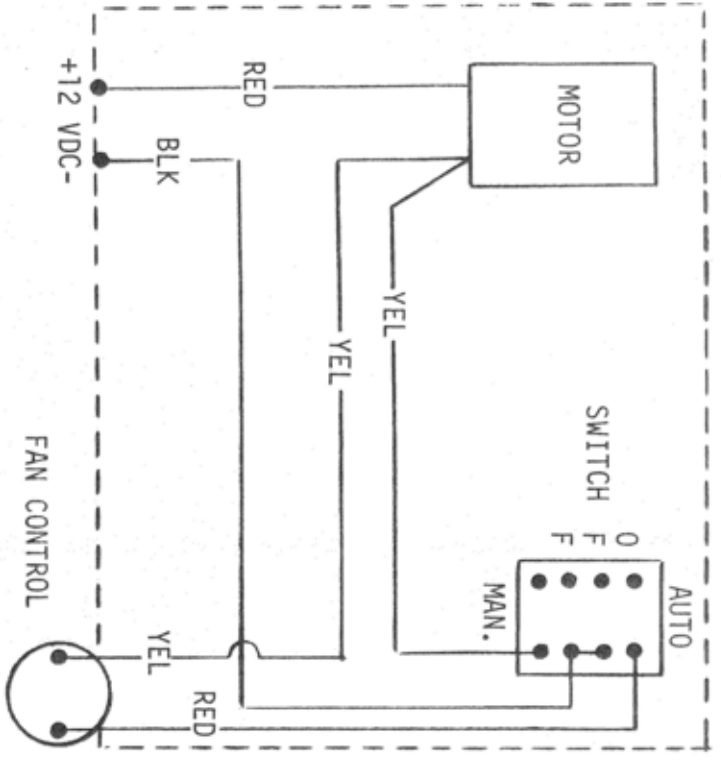
INSTALLATION

1. Remove wall panel from furnace casing.
2. Install flush mount fan thermostat on inner liner side. Locate fan thermostat over mounting holes and secure with screws.
3. Install blower assembly in furnace casing above gas controls. Locate blower assembly so that mounting holes are in alignment with the holes in furnace casing.
4. Secure blower to casing with three screws that are provided. Attach red and yellow leads to fan switch.
5. Connect 12 Volt power supply to terminal block on bottom of blower assembly. Observe polarity of leads when making connections.
6. Replace wall panel in furnace casing. The installation is complete.

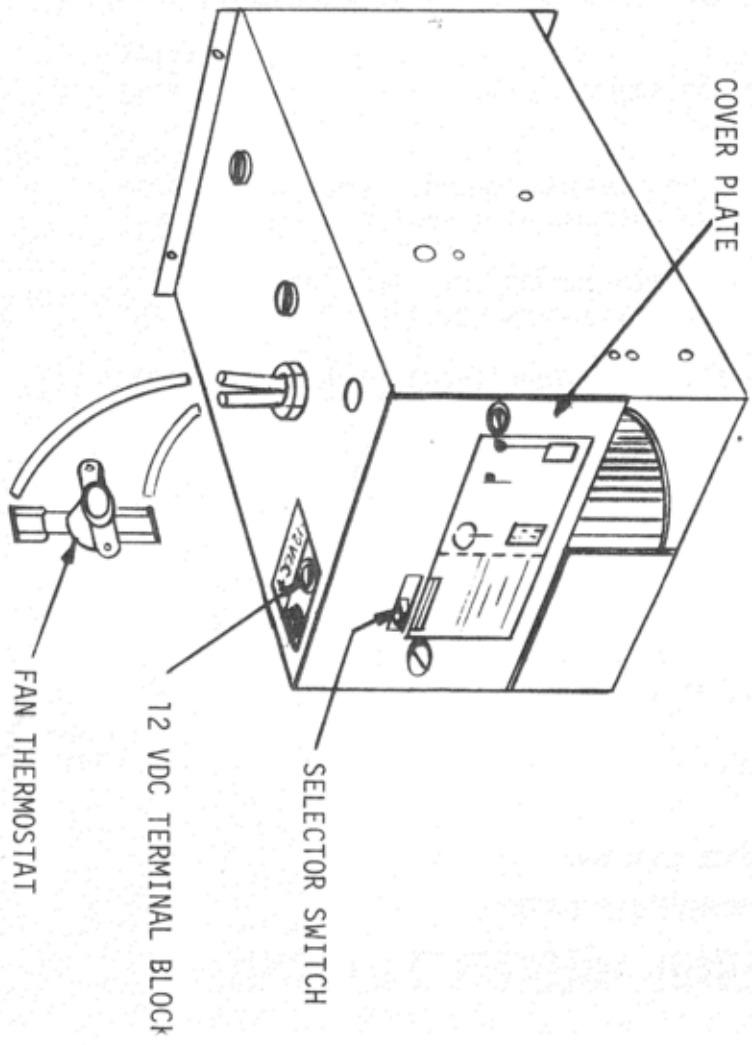
OPERATION

The three position switch is for either manual or automatic operation of blower and includes an "OFF" position.

WIRING DIAGRAM F11-12



BLOWER ASSEMBLY



INSTALLATION INSTRUCTIONS

Model F11-110-12 Blower Kit (Combination 110 VAC and 12 VDC)

GENERAL

This optional blower assembly is for installation in the Nos. 11H, 11HL and 11HR Series DUO-THERM gravity sealed combustion system wall furnace for installation in a mobile home or travel trailer. This assembly operates on either 110 VAC or 12 VDC.

INSTALLATION

1. Remove wall panel from furnace casing.
2. Install flush mount fan thermostat on inner liner side. Locate fan thermostat over mounting holes and secure with screws.
3. Install blower assembly in furnace casing above gas controls. Locate blower assembly so that the mounting holes are in alignment with the holes in the furnace casing.
4. Secure blower to casing with three screws that are provided. Attach red leads to fan switch.
5. Connect 12 Volt power supply to terminal block on bottom of blower assembly. Observe polarity of leads when making connection.
6. Remove cover plate on blower assembly. Bring 110 VAC circuit through 7/8" diameter opening in bottom of blower assembly and make connections to black and white wires in junction box. The green wire is a grounding wire. Replace cover plate.
7. Replace wall panel on furnace casing. The installation is complete.

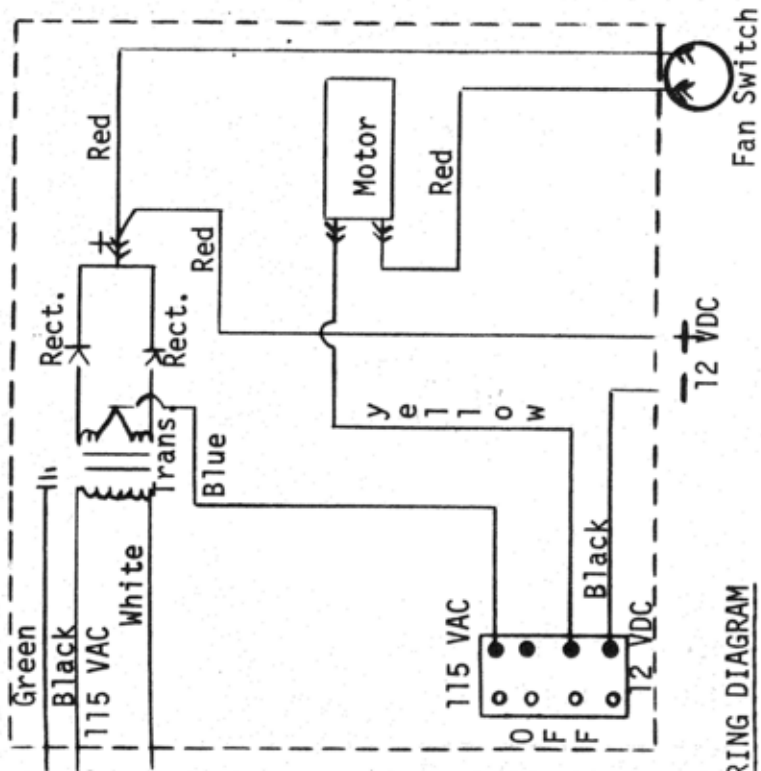
OPERATION

Position voltage selector switch to desired voltage. To conserve the battery, use 110 VAC whenever available.

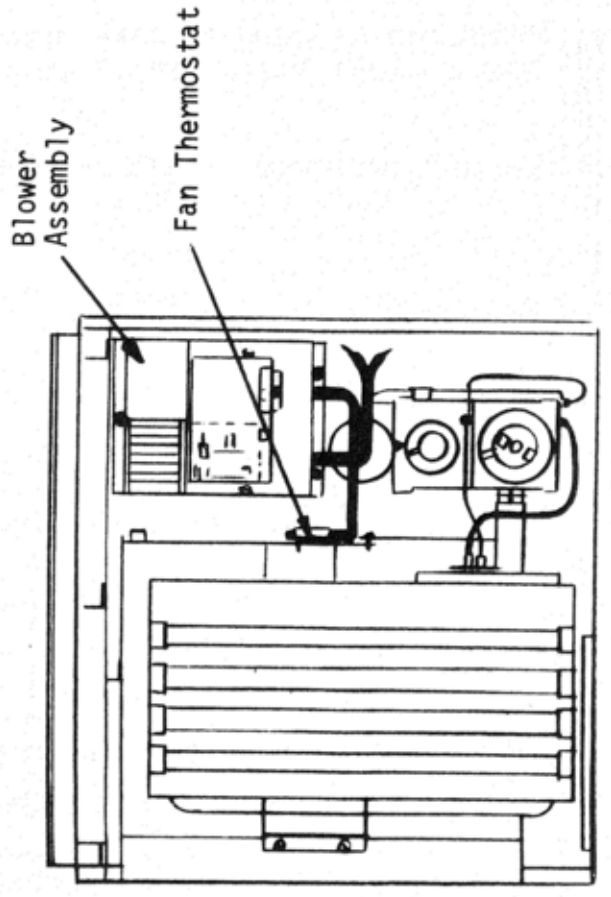
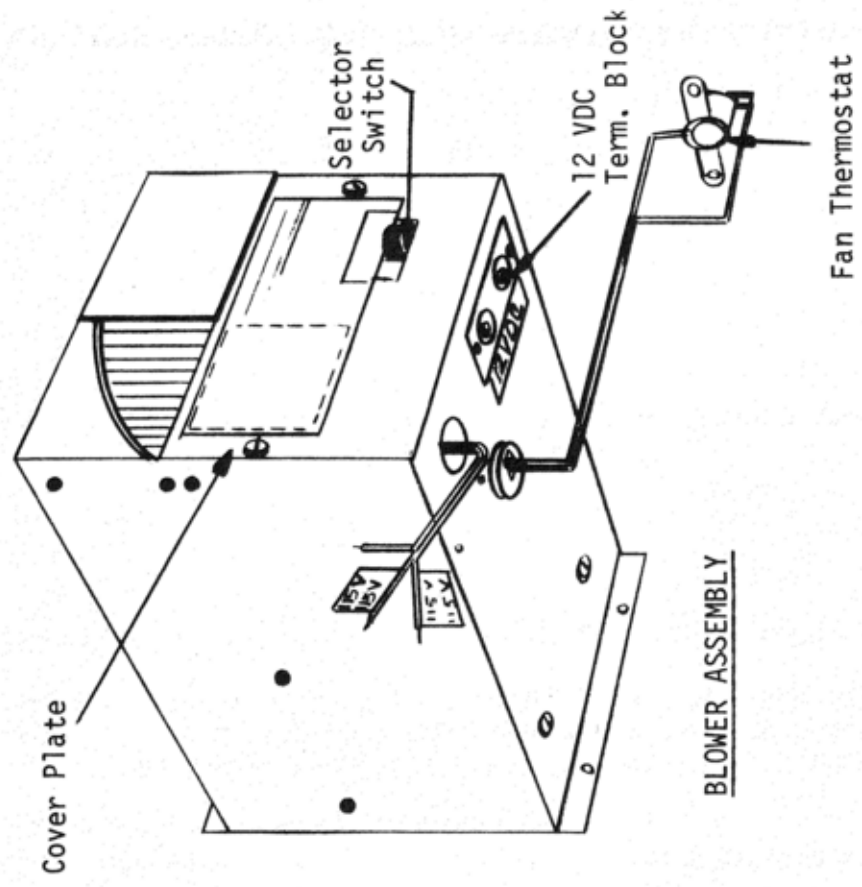
DUO-THERM

MOTOR WHEEL CORPORATION • LA GRANGE, INDIANA

Form No. 19-845 Rev. 2/75



WIRING DIAGRAM



INSTALLATION INSTRUCTIONS

Model F16-12 Blower Kit
(12 Volt D.C. Only)

GENERAL

This optional blower assembly is for installation in the Nos. 12MH and 16H DUO-THERM GLEN-AIRE gravity seals combustion system wall furnace for installation in a mobile home or a travel trailer. This assembly operates on 12 VDC only.

INSTALLATION

1. Remove wall panel from furnace casing.
2. Install blower assembly in furnace casing above gas controls. Locate blower assembly so that the fan thermostat and opening in liner are in alignment.
3. Secure blower to casing with three screws thru holes that are provided.
4. Attach switch bracket to lower right side of casing with two screws thru holes that are provided.
5. Connect 12 Volt power supply to terminal block on bottom of blower assembly. Observe polarity of leads when making connections.
6. Replace wall panel in furnace casing. The installation is complete.

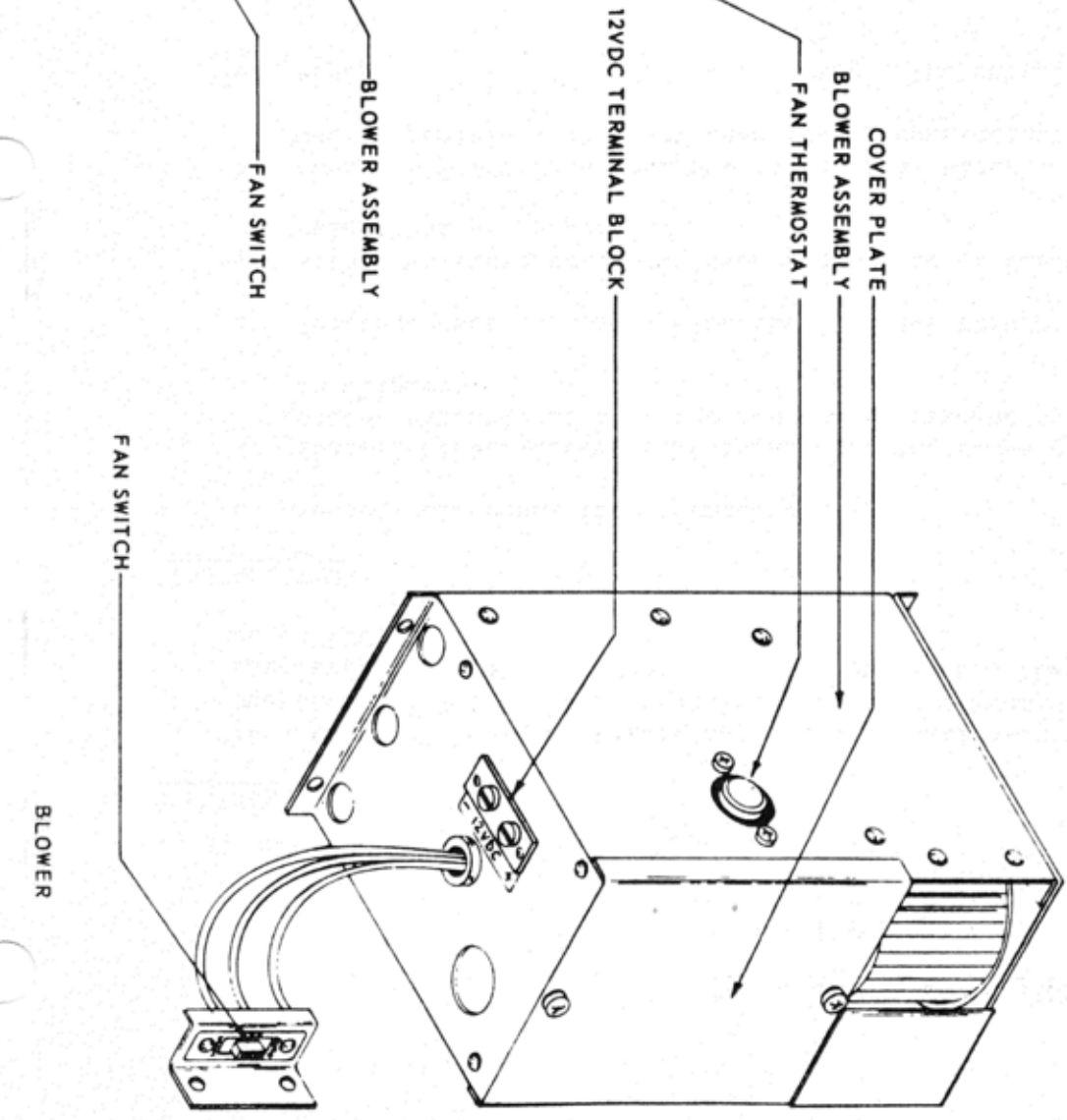
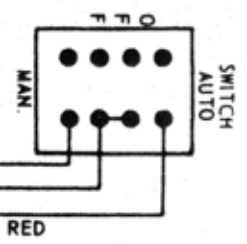
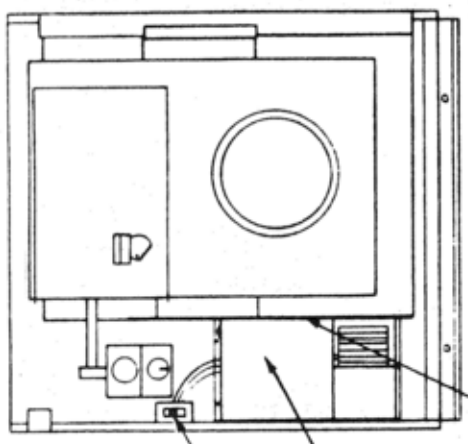
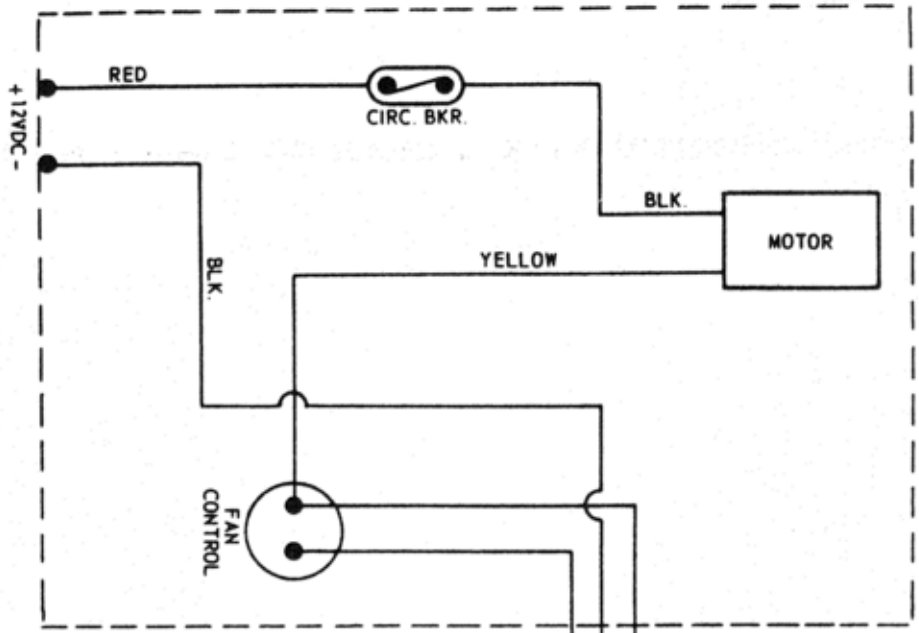
OPERATION

The three position switch attached to the bracket is for either manual or automatic operation of blower and includes an "OFF" position.

DUO-THERM

MOTOR WHEEL CORPORATION • LA GRANGE, INDIANA

WIRING DIAGRAM - F16-12



INSTALLATION INSTRUCTIONS

MODEL F16A-110-12 BLOWER KIT
(COMBINATION 110 VAC and 12 VDC)

GENERAL

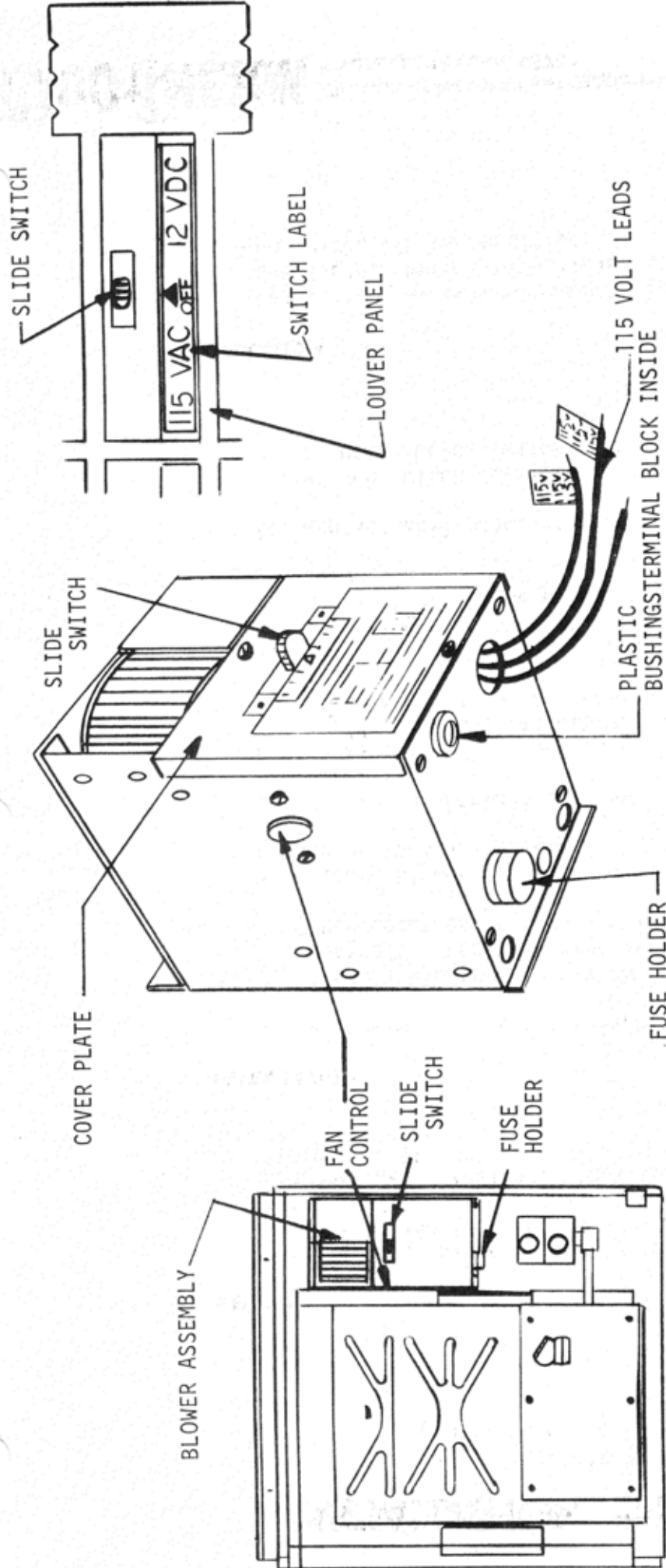
This optional blower assembly is for installation in the Nos. 65212 and 16MH Series DUO-THERM gravity sealed combustion system wall furnace for installation in a mobile home or travel trailer. This assembly operates on either 110 VAC or 12 VDC.

INSTALLATION

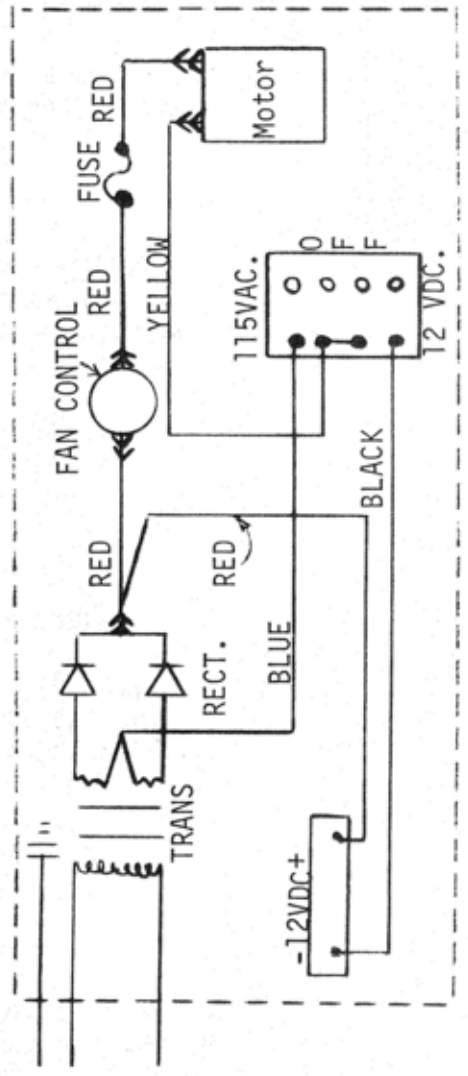
1. Remove wall panel from furnace casing.
2. Install blower assembly in furnace casing above gas controls. Locate blower assembly so that the fan thermostat and opening in liner are in alignment.
3. Secure blower to casing with three screws through holes that are provided.
4. Remove cover plate on blower assembly.
5. Connect 12 Volt power supply to terminal block on inside of blower assembly. Observe polarity of leads when making connection.
6. Bring 110 VAC circuit through 7/8" diameter opening in bottom of blower assembly and make connections to black and white wires in junction box. Replace cover plate.
7. Replace wall panel in furnace casing.
8. Attach switch decal to the louver on the wall panel directly below switch. The installation is complete.

OPERATION

Set voltage selector switch to 12 VDC when 115 VAC is not available. When 115 VAC is available, the switch should be in the 115 VAC position.



WIRING ASSEMBLY - F16A-110-12



INSTALLATION INSTRUCTIONS

Model F25-12B Blower Kit

INSTALLATION:

1. Remove wall panel from furnace.
2. Route 12 V.D.C. lines to lower left side of furnace casing.
3. Slide blower assembly into furnace casing below gas control.
4. Secure blower to casing with screws provided.
5. Connect 12 V.D.C. line to terminal strip on inside of blower electrical enclosure.
6. Replace wall panel on furnace. Before securing screw on lower left side of panel, slip fan control bracket between wall panel and casing. Hole in bracket should be in line with hole in wall panel.
7. Replace electrical enclosure cover.

OPERATION:

The switch located on the right side of the electrical box permits either manual or automatic blower operation. The center position on the switch is for "off". This blower assembly can be operated only from a 12 V.D.C. power source.

NOTE:

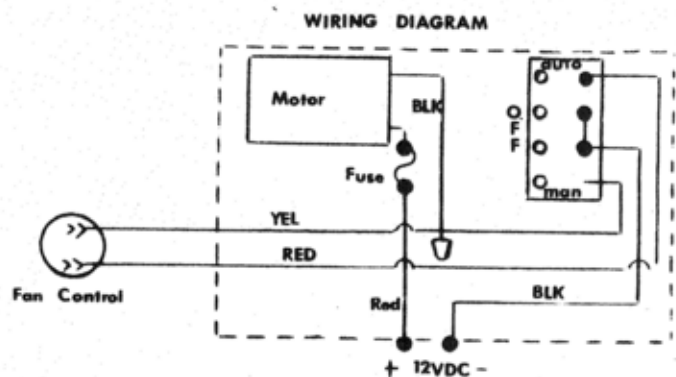
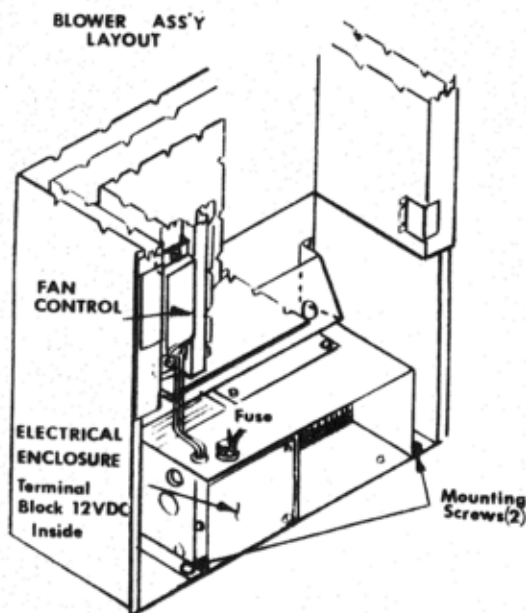
If any of the original wire as supplied with the appliance has to be replaced, it should be replaced by wire having equivalent insulation and temperature rating. (Temperature rating of wire - 105C.)

LUBRICATION:

Lubricate blower bearing seasonally with a light grade of lubricating oil.

FUSE REPLACEMENT:

Use No. AGC - 2 amperes.



INSTALLATION INSTRUCTIONS FOR MODEL F25-110-12B BLOWER KIT COMBINATION 115 V.A.C. AND 12 V.D.C.

FOR INSTALLATION IN NOS. 21R AND 18R WALL FURNACE

INSTALLATION

1. Remove wall panel from furnace.
2. Bring 115 V.A.C. circuit to lower left side of furnace.
3. Route 12 V.D.C. lines to lower left side of furnace.
4. Attach junction box to lower left side of the casing with screws through holes provided in casing.
5. Connect 115 volt power line to junction box.
6. Slide blower assembly into furnace casing below gas controls.
7. Secure blower to casing with screws provided.
8. Connect 12 volt power line to terminal block on inside of blower electrical enclosure.
9. Plug 115 volt cord from blower housing into receptacle in junction box.
10. Replace wall panel on furnace. Before securing screw on lower left side of panel, slip fan control mounting bracket between wall panel and casing. Hole in bracket should be in line with hole in wall panel.

OPERATION

The slide switch on the right side of the electrical box is for 115 V.A.C. or 12 V.D.C. operation of the blower. The center position of the switch is "off".

NOTE:

If any of the original wire as supplied has to be replaced, it should be replaced with wire having equivalent insulation and temperature rating. (Temperature rating of wire - 105C.)

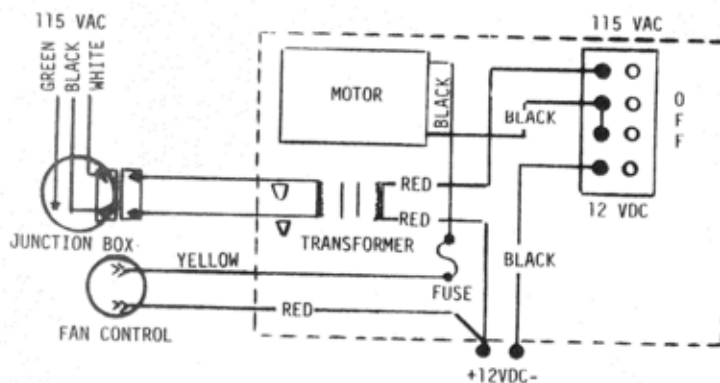
LUBRICATION

Lubricate blower bearing seasonally with a light grade of lubricating oil.

FUSE REPLACEMENT

Use No. AGC - 2 amperes.

WIRING DIAGRAM



BLOWER ASSEMBLY LAYOUT

