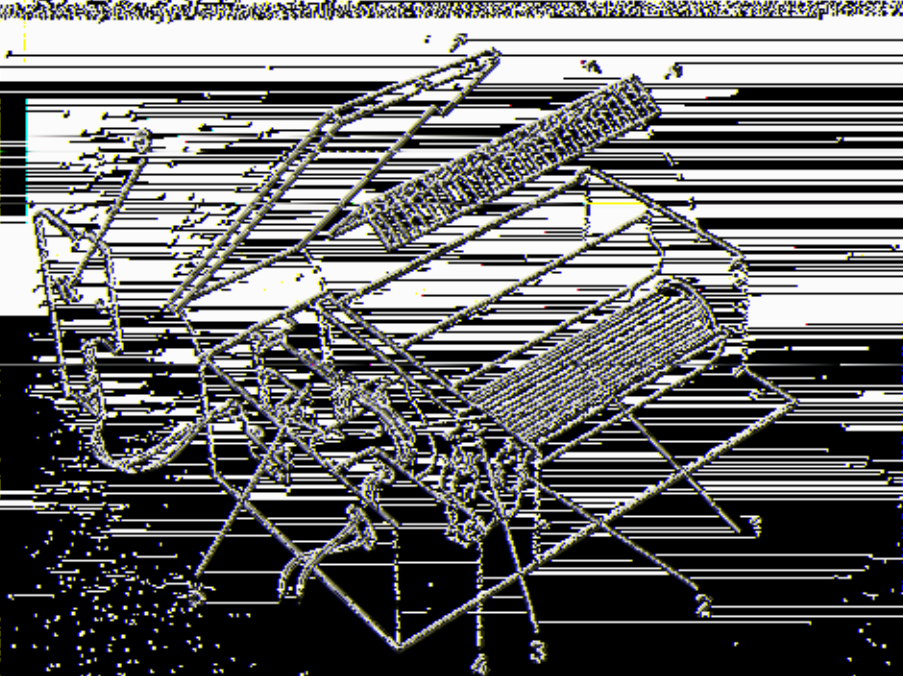
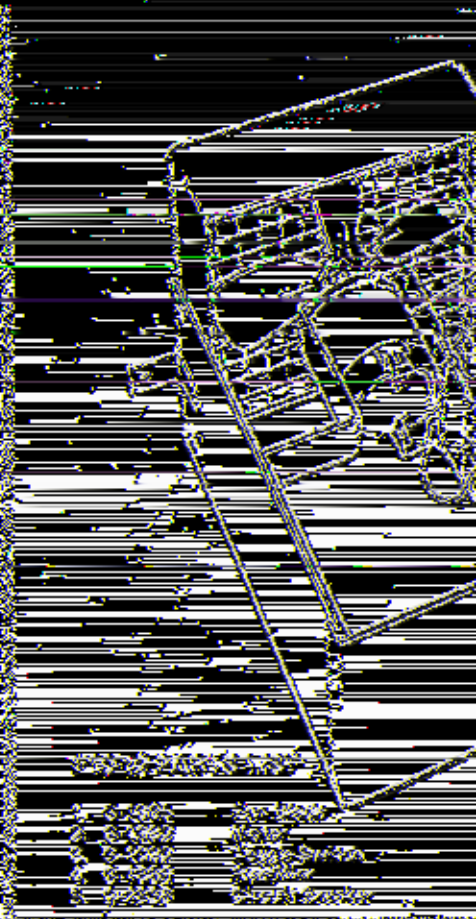


# Duo-THERM® BLOWER ASSEMBLIES

## F22-110-12 & F22-112-12 PARTS LIST

F 2-1775 Trans. Assy. F 10-110-12  
 F 2-1775 Trans. Assy. F 10-112-12  
 F 2-1775 Trans. Assy. F 10-110-12  
 F 2-1775 Trans. Assy. F 10-112-12



## F22-110-12 & F22-112-12 PARTS LIST

F 2-1775 Motor & Wheel Assy.  
 F 2-1775 Switch (Auto/Off/On)  
 F 2-1775 Control Broiler  
 F 2-1775 Relay (F22-110-12)  
 F 2-1775 Trans. F22-110-12  
 F 2-1775 Fan Switch & Broiler  
 F 2-1775 Fan Switch Only

## F22-110-12 & F22-112-12 PARTS LIST

F 2-1775 Switch (Auto/Off/On)  
 F 2-1775 Control Broiler  
 F 2-1775 Relay  
 F 2-1775 Trans. F22-110-12  
 F 2-1775 Fan Switch & Broiler

# DUO-THERM

## Parts List For Direct Vent Blowers

9-3573 (12 VDC ONLY)

1. 9-1753 Motor
2. 9-3554 Blower Wheel
3. 9-3559 Auto Fan Switch
4. 9-2698 Fuse Holder and Cap
5. 9-3007 Fuse
6. 9-1776 Manual Switch

(USED ON 655 SERIES)

9-3608 (115 VAC & 12 VDC)

1. 9-1753 Motor
2. 9-1916 Blower Wheel
3. 9-3559 Auto Fan Switch
4. 9-2698 Fuse Holder and Cap
5. 9-3007 Fuse
6. 9-1776 Manual Switch
7. 9-3626 Transformer

(USED ON 658 SERIES)

9-3607 (12 VDC ONLY)

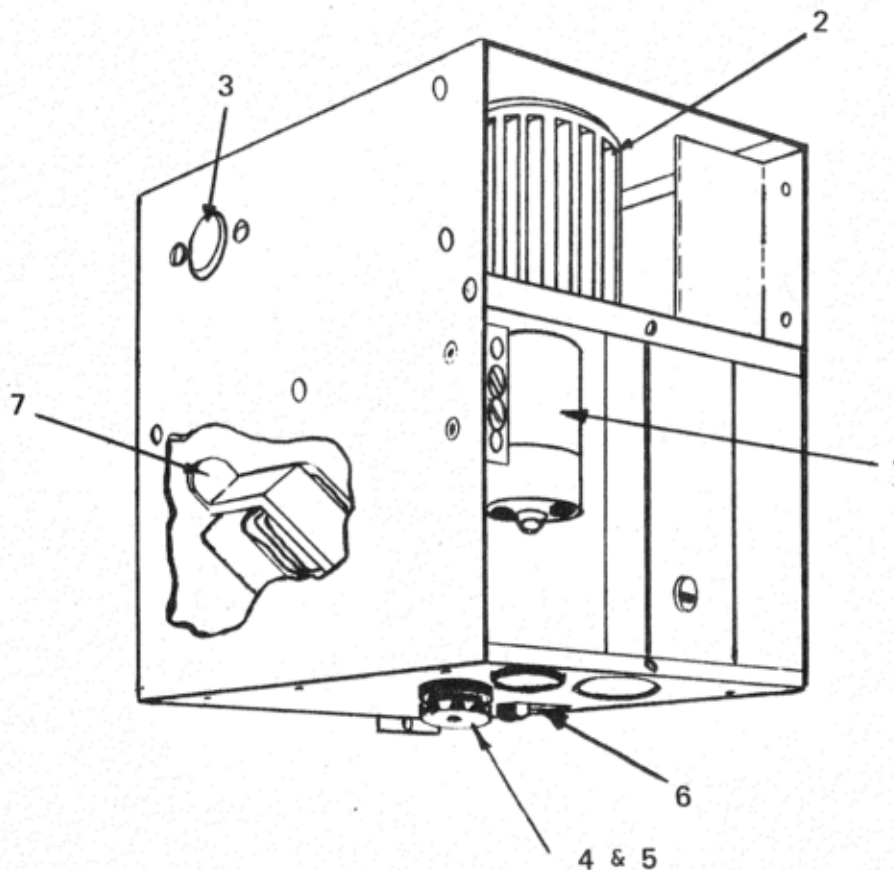
1. 9-1753 Motor
2. 9-1916 Blower Wheel
3. 9-3559 Auto Fan Switch
4. 9-2698 Fuse Holder and Cap
5. 9-3007 Fuse
6. 9-1776 Manual Switch

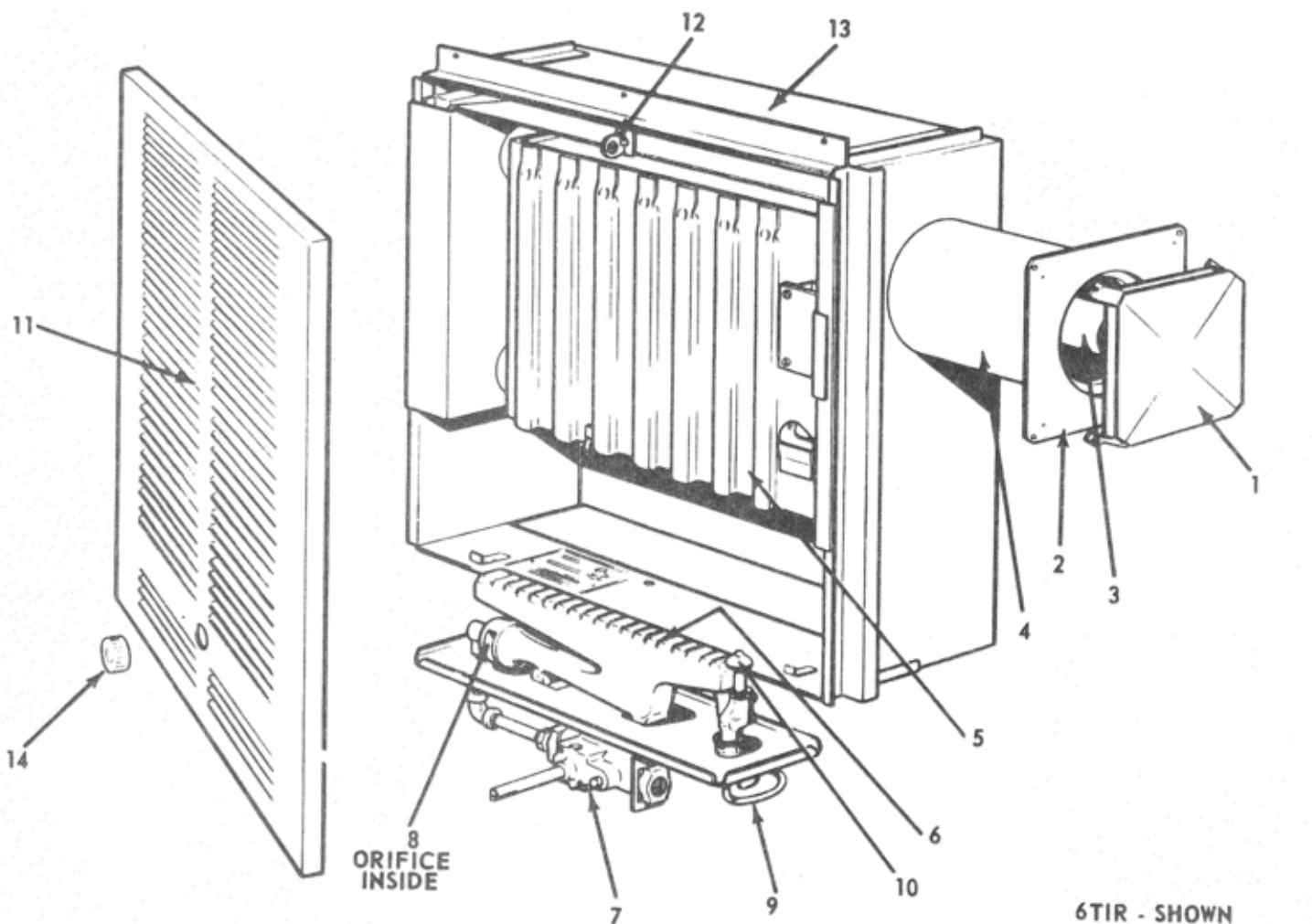
(USED ON 658 SERIES)

9-3548 (115 VAC & 12 VDC)

1. 9-1753 Motor
2. 9-3554 Blower Wheel
3. 9-3559 Auto Fan Switch
4. 9-2698 Fuse Holder and Cap
5. 9-3007 Fuse
6. 9-1776 Manual Switch
7. 9-2351 Transformer

(USED ON 655 SERIES)



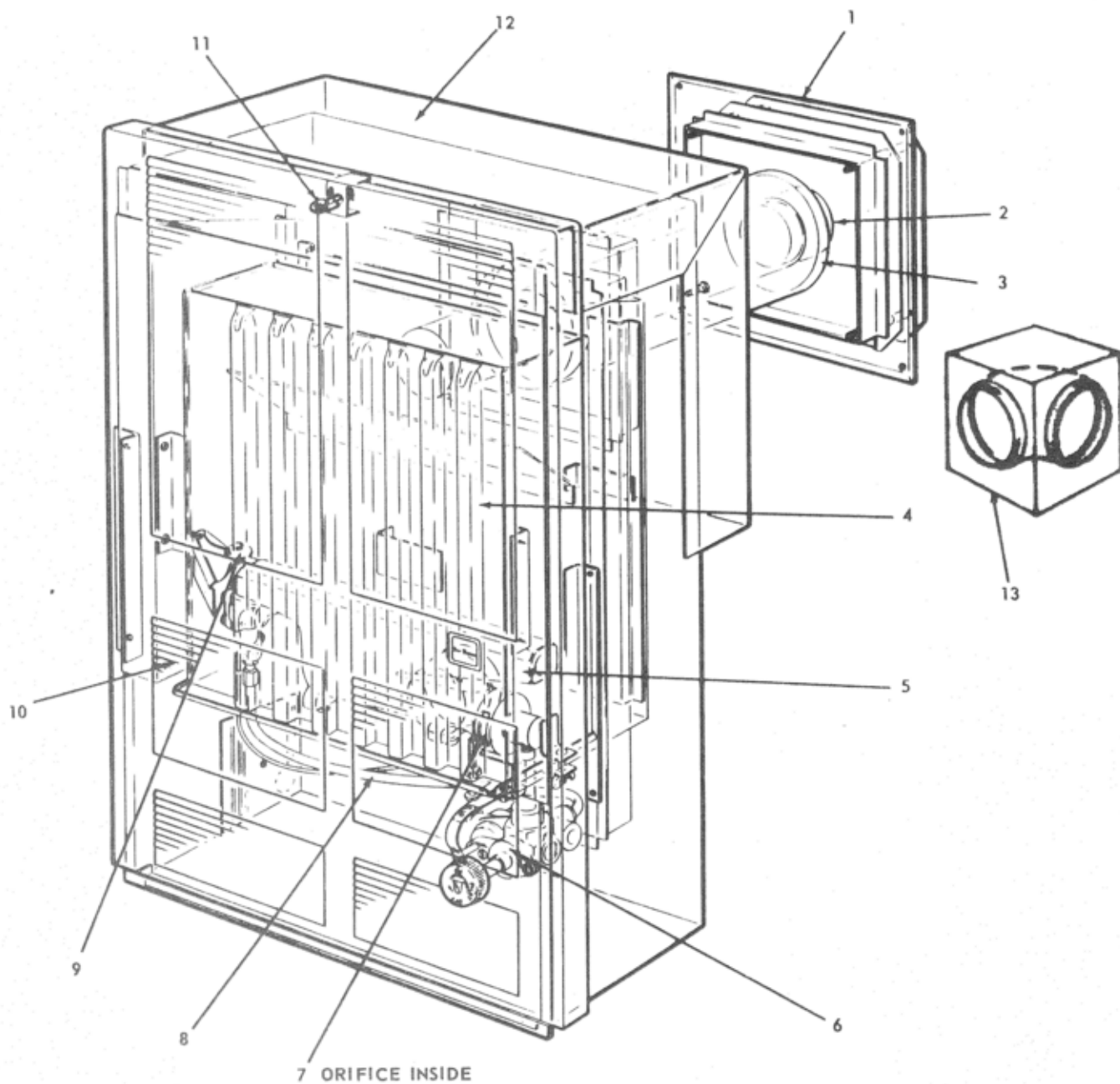


INDEX NUMBER	PART NUMBER	DESCRIPTION	INDEX NUMBER	PART NUMBER	DESCRIPTION
1 and 2	G-1126	Draft Hood Assembly	6	G-1137	Burner
1	G-1122	Cap Assembly	7	G-1132	Control 6TIL - 6TIR
2	G-1088	Cap Mounting Plate	7	G-1174	Control 6TILU - 6TIRU
3	G-1082	Flue Extension	8	G-1130-71	Orifice
4	G-1098	Comb. Air Tube Shield	9	G-1136	Pilot Tube 6TIL - 6TIR
5	G-1153	Heat Chamber Assembly 6TIL - 6TILU	9	G-1011	Pilot Tube 6TILU - 6TIRU
5		Heat Chamber Assembly 6TIR - 6TIRU	10	G-1135	Pilot w/Thermocouple
6-10	G-1149	Control & Burner Assembly 6TIL	11	G-1118	Front Panel
6-10	G-1175	Control & Burner Assembly 6TILU	12	G-1120	Latch Assembly
6-10	G-1524	Control & Burner Assembly 6TIR	13	G-1138	Casing Assy. 6TIL - 6TILU
6-10	G-1526	Control & Burner Assembly 6TIRU	13	G-	Casing Assy. 6TIR - 6TIRU
			14	On Request	Knob 6TIL - 6TIR
				G-1178	Knob 6TILU - 6TIRU (not shown)
				G-1157	Shaft 6TILU - 6TIRU (not shown)

ORDER PARTS BY PART NUMBER ONLY - NOT BY INDEX NUMBER  
 ORDER PARTS FROM YOUR DUO-THERM SERVICE DISTRIBUTOR

Form No. DS-473

Printed in U.S.A. 5/67

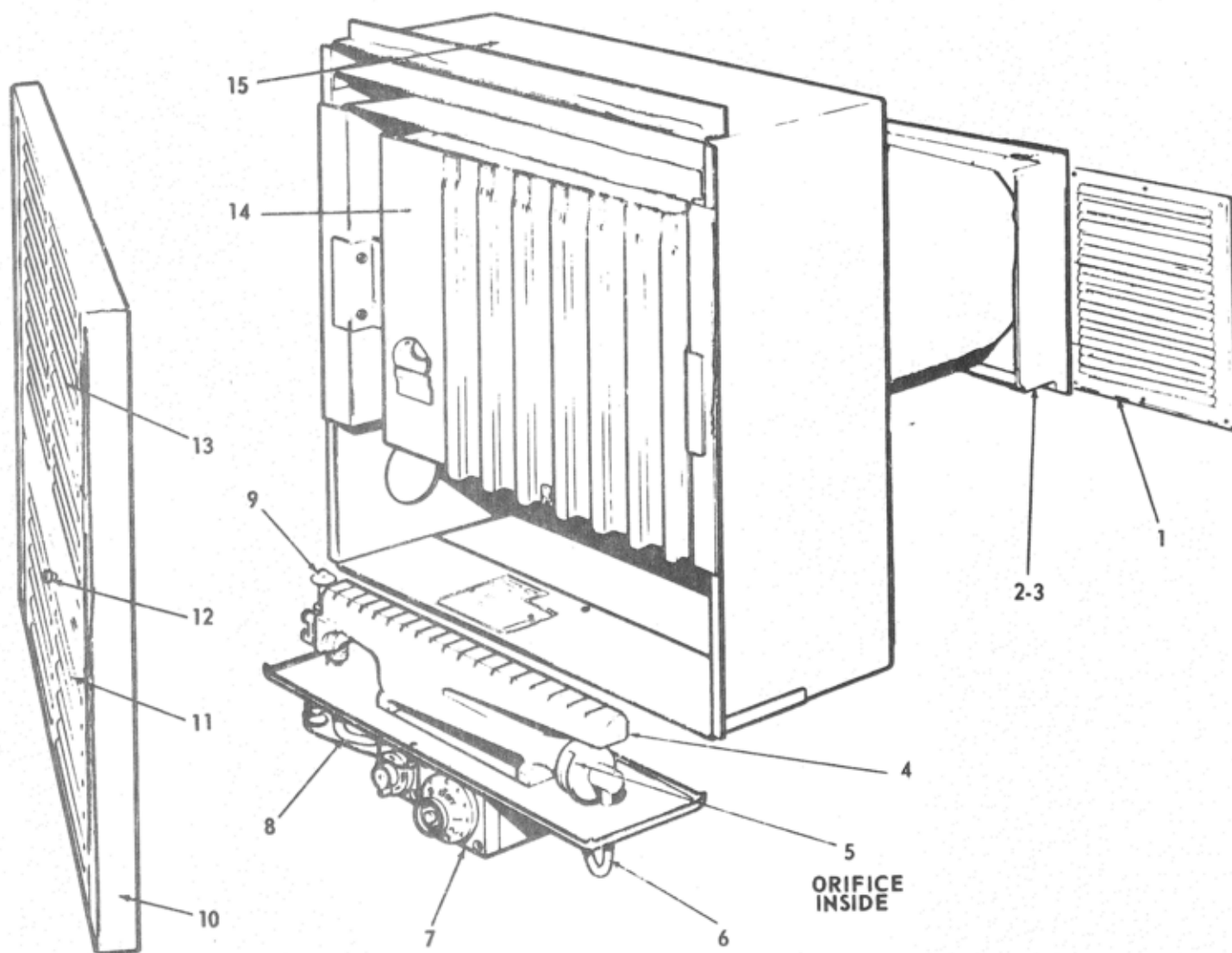


INDEX NUMBER	PART NUMBER	DESCRIPTION	INDEX NUMBER	PART NUMBER	DESCRIPTION
1	G-1440	Draft Hood Assembly	6	G-1475	Gas Control for 9T
2	G-1226	Flue Extension	6	G-1334	Gas Control for 9TU
3	G-1227	Combustion Air Tube	7	G-1416	Orifice
4	G-1432	Heat Chamber Assembly	8	G-1011	Pilot Tube for 9T
5-9	G-1436	Burner Assembly for 9T	8	G-1012	Pilot Tube for 9TU
5-9	G-1431	Burner Assembly for 9TU	9	G-1135	Pilot Burner w/T-Couple
5	G-1209	Burner for 9T	10	G-1438	Front Panel Assembly
5	G-1209	Burner for 9TU	11	G-1120	Latch Assembly
			12	G-1425	Casing Assembly
			13	G-1527	Turn Box
				G-1528	Dial Knob for 9TU
				G-1529	Shaft for 9TU

Form No. DS-360B

ORDER PARTS BY PART NUMBER ONLY - NOT BY INDEX NUMBER  
 ORDER PARTS FROM YOUR DUO-THERM SERVICE DISTRIBUTOR

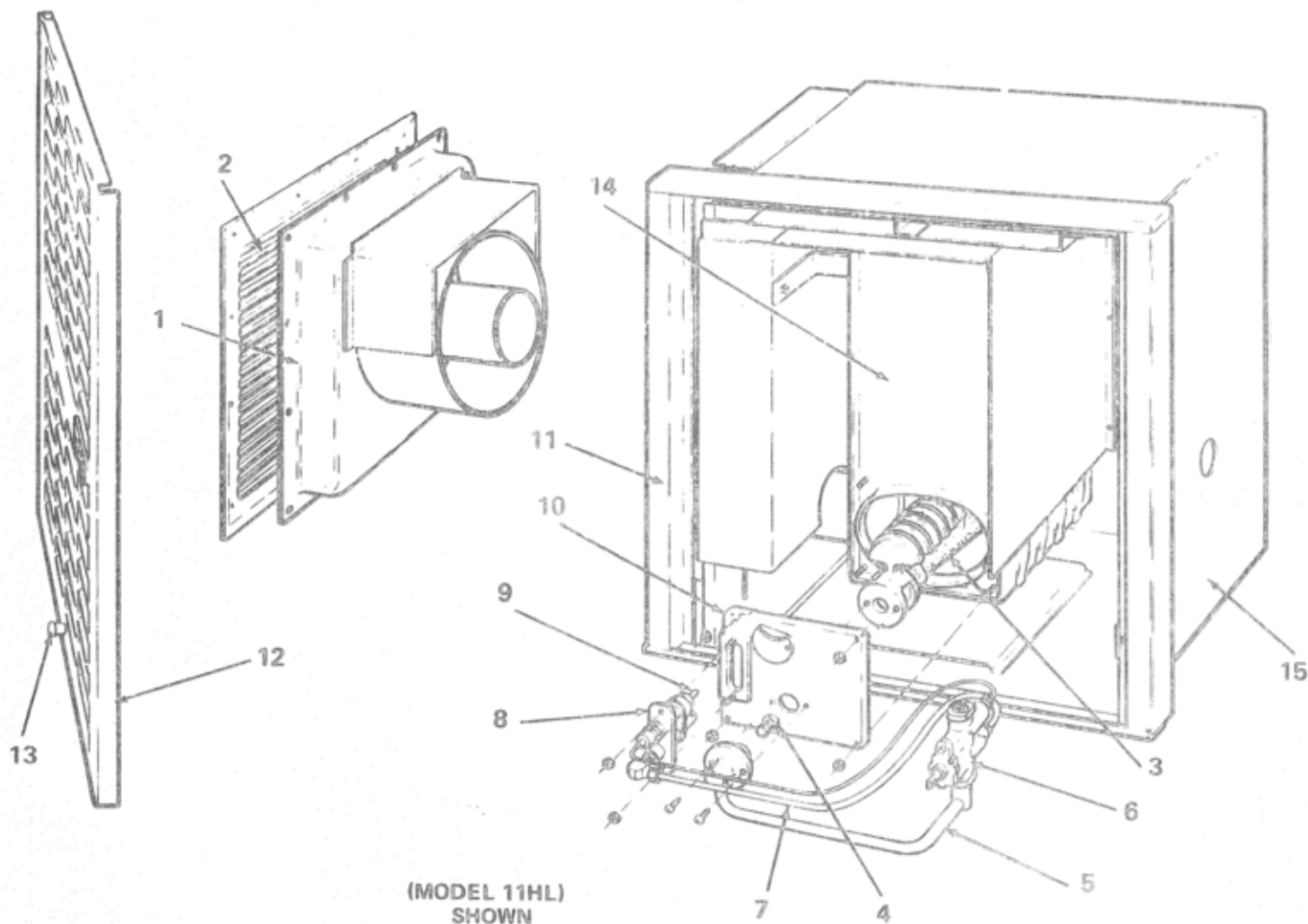
Printed in U.S.A.



INDEX NUMBER	PART NUMBER	DESCRIPTION	INDEX NUMBER	PART NUMBER	DESCRIPTION
1-3	G-1625	Vent Assembly	7	G-1626	Control for 10H
1	G-1742	Vent Grille	7	G-1334	Control for 10HU
2	G-1691	Flue Tube Extension	8	G-1011	Pilot Tube for 10H & 10HU
3	G-1793	Recessed Pan	9	G-1135	Pilot w/Thermocouple
4-9	G-1822	Burner & Control Assembly for 10H	10-13	G-1583	Front Panel Assembly
4-9	G-1830	Burner & Control Assembly for 10HU	10	G-1584	Door Frame
4	G-1209	Burner	11	G-1591	Front Panel (Lower)
5	G-1130-66	Orifice	12	G-1342	Knob
6	G-1824	Burner Pipe	13	G-1589	Front Panel (Upper)
			14	G-1818	Heat Chamber Assembly
			15	G-1811	Casing Assembly

ORDER PARTS BY PART NUMBER ONLY - NOT BY INDEX NUMBER  
ORDER PARTS FROM YOUR DUO-THERM SERVICE DISTRIBUTOR

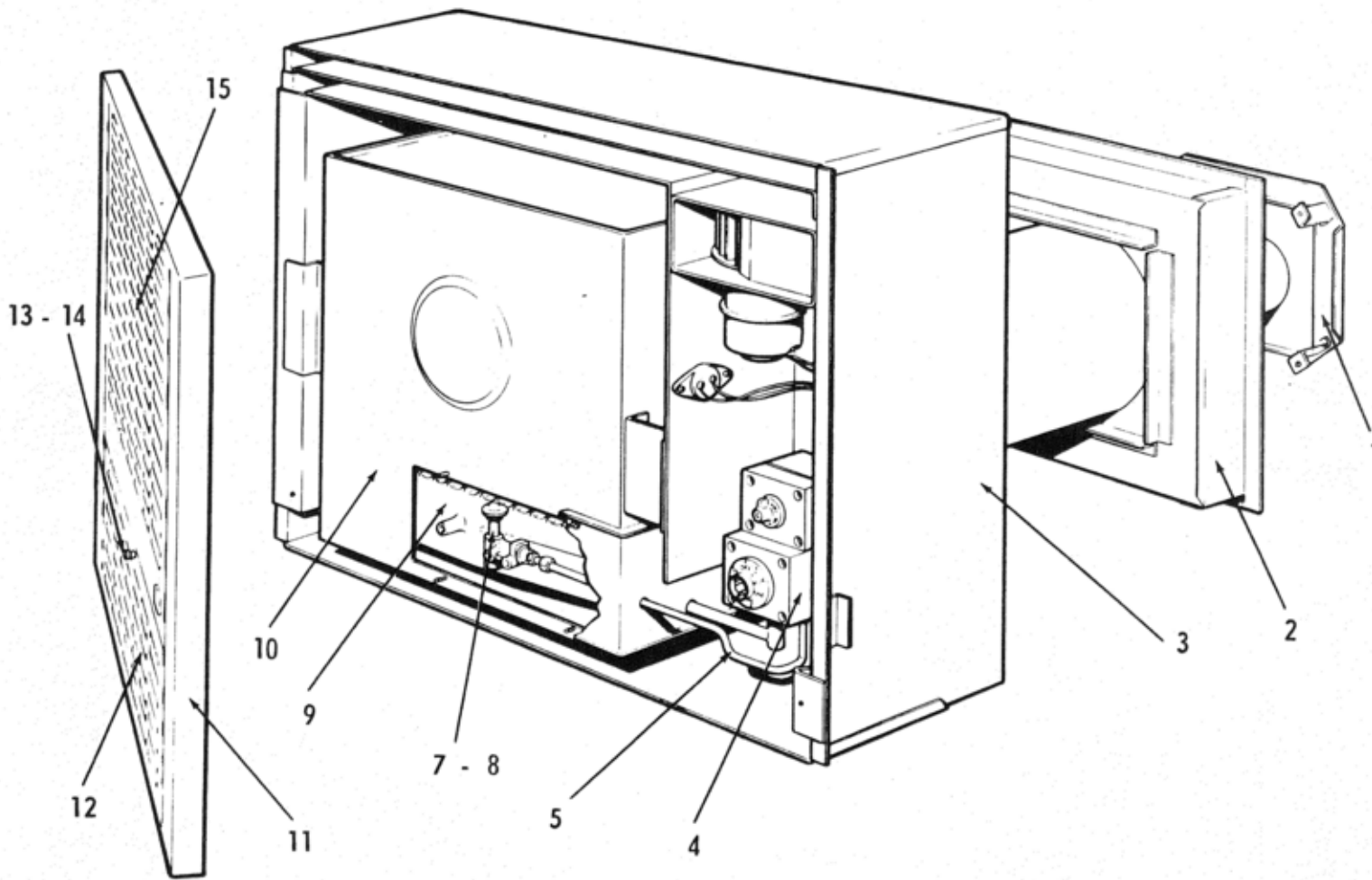
DUO-THERM DIVISION • Motor Wheel Corporation • LaGrange, Indiana 46761



(MODEL 11HL)  
SHOWN

Index No.	Description	11H	11HU	11H BX	11HL	11HLU	11HL BX	11HR	11HRU	11HR BX
1 & 2	Vent Assembly	G-2100	G-2100	G-2100	G-2194	G-2194	G-2194	G-2194	G-2194	G-2194
1	Recess Pan	G-2122	G-2122	G-2122	G-2195	G-2195	G-2195	G-2195	G-2195	G-2195
2	Grille	G-2124	G-2124	G-2124	G-2202	G-2202	G-2202	G-2202	G-2202	G-2202
3 - 10	Burner & Control Assy.	G-2090	G-2095	G-2105	G-2193	G-2209	G-2210	G-2227	G-2230	G-2235
3	Burner	G-1884	G-1884	G-1884	G-1884	G-1884	G-1884	G-1884	G-1884	G-1884
4	Orifice	G-1130-64	G-1130-64	G-1130-64	G-1130-66	G-1130-66	G-1130-66	G-1130-66	G-1130-66	G-1130-66
5	Burner Pipe	G-2128	G-2128	G-2128	G-2207	G-2207	G-2207	G-2233	G-2233	G-2233
6	Control	G-1626	G-1334	G-1343	G-1626	G-1334	G-1343	G-1626	G-1334	G-1343
7	Pilot Tube	G-2134	G-2146	G-2146	G-1011	G-1011	G-1011	G-1011	G-1011	G-1011
8	Pilot Burner	G-1915	G-1915	G-1915	G-2357	G-2357	G-2357	G-1915	G-1915	G-1915
9	Thermocouple	G-2133	G-2133	G-2137	G-2133	G-2133	G-2137	G-2133	G-2133	G-2137
10	Gasket	G-1911	G-1911	G-1911	G-1911	G-1911	G-1911	G-1911	G-1911	G-1911
11 - 13	Front Panel Assy.	G-2119	G-2119	G-2119	G-2119	G-2119	G-2119	G-2119	G-2119	G-2119
11	Frame	G-2120	G-2120	G-2120	G-2120	G-2120	G-2120	G-2120	G-2120	G-2120
12	Panel	G-2121	G-2121	G-2121	G-2121	G-2121	G-2121	G-2121	G-2121	G-2121
13	Knob	G-1342	G-1342	G-1342	G-1342	G-1342	G-1342	G-1342	G-1342	G-1342
14	Heat Chamber	G-2114	G-2114	G-2114	G-2182	G-2182	G-2182	G-2222	G-2222	G-2222
15	Casing	G-2091	G-2091	G-2091	G-2156	G-2156	G-2156	G-2211	G-2211	G-2211
16	Thermostat	-	-	G-1470	-	-	G-1470	-	-	G-1470
17	Cable	-	-	G-1471	-	-	G-1471	-	-	G-1471

ORDER PARTS BY PART NUMBER ONLY, NOT BY INDEX NUMBER - ORDER PARTS FROM YOUR DUO-THERM SERVICE DISTRIBUTOR

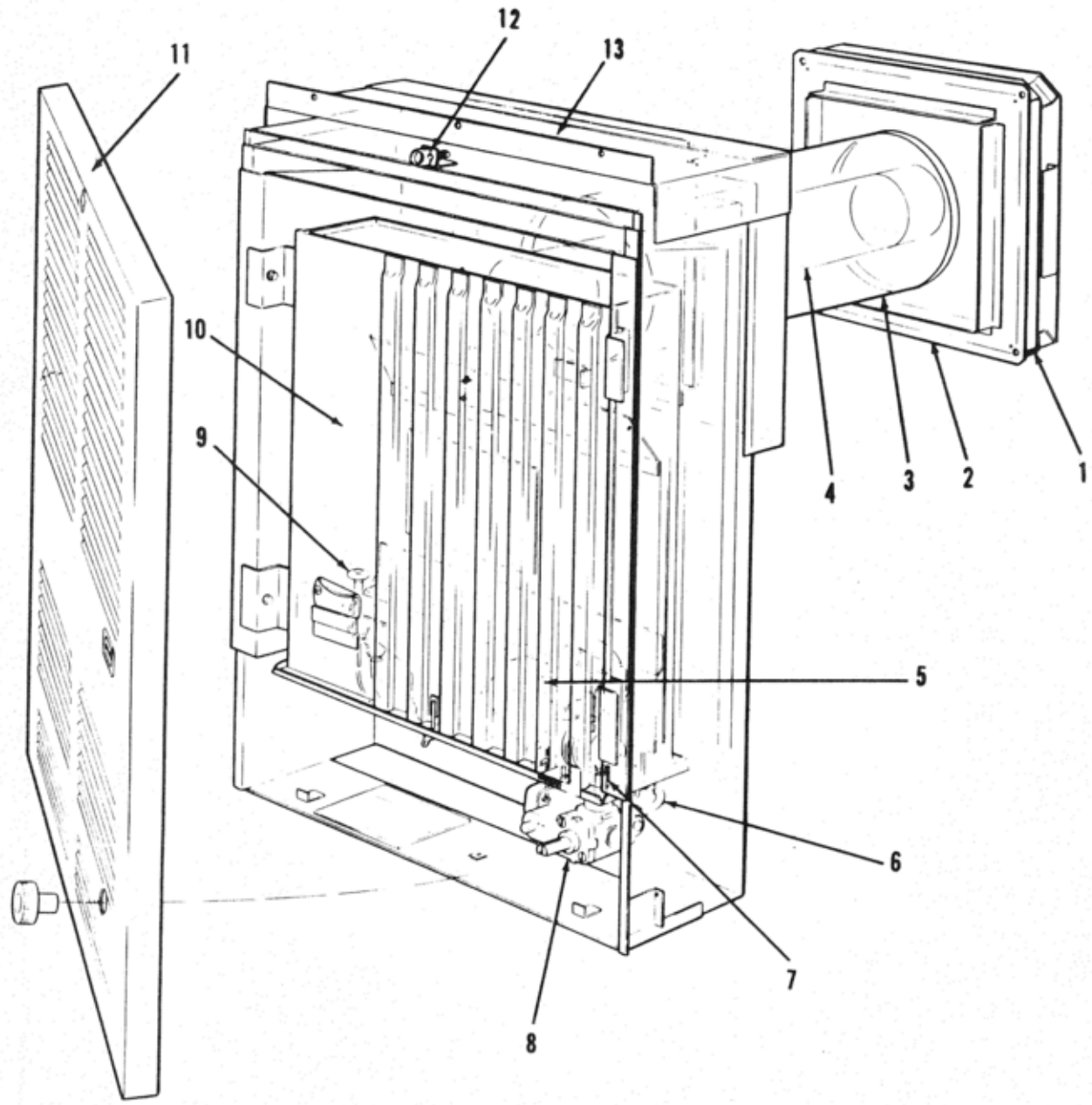


Index No.	Description	12H	12HU	12HBX	12MH	12MHU	12MHBX	16H	16HU	16HBX	16MH	16MHU	16MHBX
1 & 2	Vent Assembly	G-1625	G-1625	G-1625	G-1625	G-1625	G-1625	G-1540*	G-1540	G-1540	G-1900	G-1900	G-1900
1	Cap - Grille	G-1742	G-1742	G-1742	G-1742	G-1742	G-1742	G-1685*	G-1685	G-1685	G-1903	G-1903	G-1903
2	Recess Pan	G-1793	G-1793	G-1793	G-1793	G-1793	G-1793	G-1676*	G-1676	G-1676	G-1901	G-1901	G-1901
3	Casing	G-1715	G-1715	G-1715	G-1781	G-1781	G-1781	G-1628	G-1628	G-1628	G-1843	G-1843	G-1843
4,9	Burner & Control	G-1730	G-1740	G-1750	G-1730	G-1740	G-1750	G-1665	G-1708	G-1710	G-1665	G-1708	G-1710
4	Control	G-1626	G-1334	G-1343	G-1626	G-1334	G-1343	G-1626	G-1334	G-1343	G-1626	G-1334	G-1343
5	Pilot Tube	G-1706	G-1706	G-1012	G-1706	G-1706	G-1012	G-1706	G-1706	G-1012	G-1706	G-1706	G-1012
6	Orifice (not shown)	G-1130-61	G-1130-61	G-1130-61	G-1130-61	G-1130-61	G-1130-61	G-1130-57	G-1130-57	G-1130-57	G-1130-57	G-1130-57	G-1130-57
7	Pilot Burner Assy.	G-1621	G-1621	G-1622	G-1621	G-1621	G-1622	G-1621	G-1621	G-1622	G-1621	G-1621	G-1622
8	Pilot Gen.	-	-	CP-927	-	-	CP-927	-	-	CP-927	-	-	CP-927
9	Burner	G-1700	G-1700	G-1700	G-1700	G-1700	G-1700	G-1700	G-1700	G-1700	G-1700	G-1700	G-1700
10	Heat Chamber	G-1790	G-1790	G-1790	G-1790	G-1790	G-1790	G-1654	G-1654	G-1654	G-1808	G-1808	G-1808
11-15	Front Panel Assy.	G-1733	G-1733	G-1733	G-1733	G-1733	G-1733	G-1666	G-1666	G-1666	G-1666	G-1666	G-1666
11	Frame	G-1743	G-1743	G-1743	G-1743	G-1743	G-1743	G-1667	G-1667	G-1667	G-1667	G-1667	G-1667
12	Panel (Lower)	G-1674	G-1674	G-1674	G-1674	G-1674	G-1674	G-1674	G-1674	G-1674	G-1674	G-1674	G-1674
13	Knob	G-1342	G-1342	G-1342	G-1342	G-1342	G-1342	G-1342	G-1342	G-1342	G-1342	G-1342	G-1342
14	Latch	G-1532	G-1532	G-1532	G-1532	G-1532	G-1532	G-1532	G-1532	G-1532	G-1899	G-1899	G-1899
15	Panel (upper)	G-2261	G-2261	G-2261	G-2261	G-2261	G-2261	G-1672	G-1672	G-1672	G-1672	G-1672	G-1672
	Thermostat	-	-	G-1470	-	-	G-1470	-	-	G-1470	-	-	G-1470
Not Shown	Cable	-	-	G-1471	-	-	G-1471	-	-	G-1471	-	-	G-1471
	Blower Assy. 110V-12V	F-16-110-12	F-16-110-12	F-16-110-12	F-16-110-12	F-16-110-12	F-16-110-12	F-16-110-12	F-16-110-12	F-16-110-12	F-16-110-12	F-16-110-12	F-16-110-12
	Blower Assy. 12V only	F-16-12	F-16-12	F-16-12	F-16-12	F-16-12	F-16-12	F-16-12	F-16-12	F-16-12	F-16-12	F-16-12	F-16-12

For parts breakdown on Blower Assy., refer to Form No. DS-548  
 \*Used on some earlier 12H Models.

ORDER PARTS BY PART NUMBER ONLY - NOT BY INDEX NUMBER  
 ORDER PARTS FROM YOUR DUO-THERM SERVICE DISTRIBUTOR

**DUO-THERM DIVISION • Motor Wheel Corporation • La Grange, Indiana 46761**



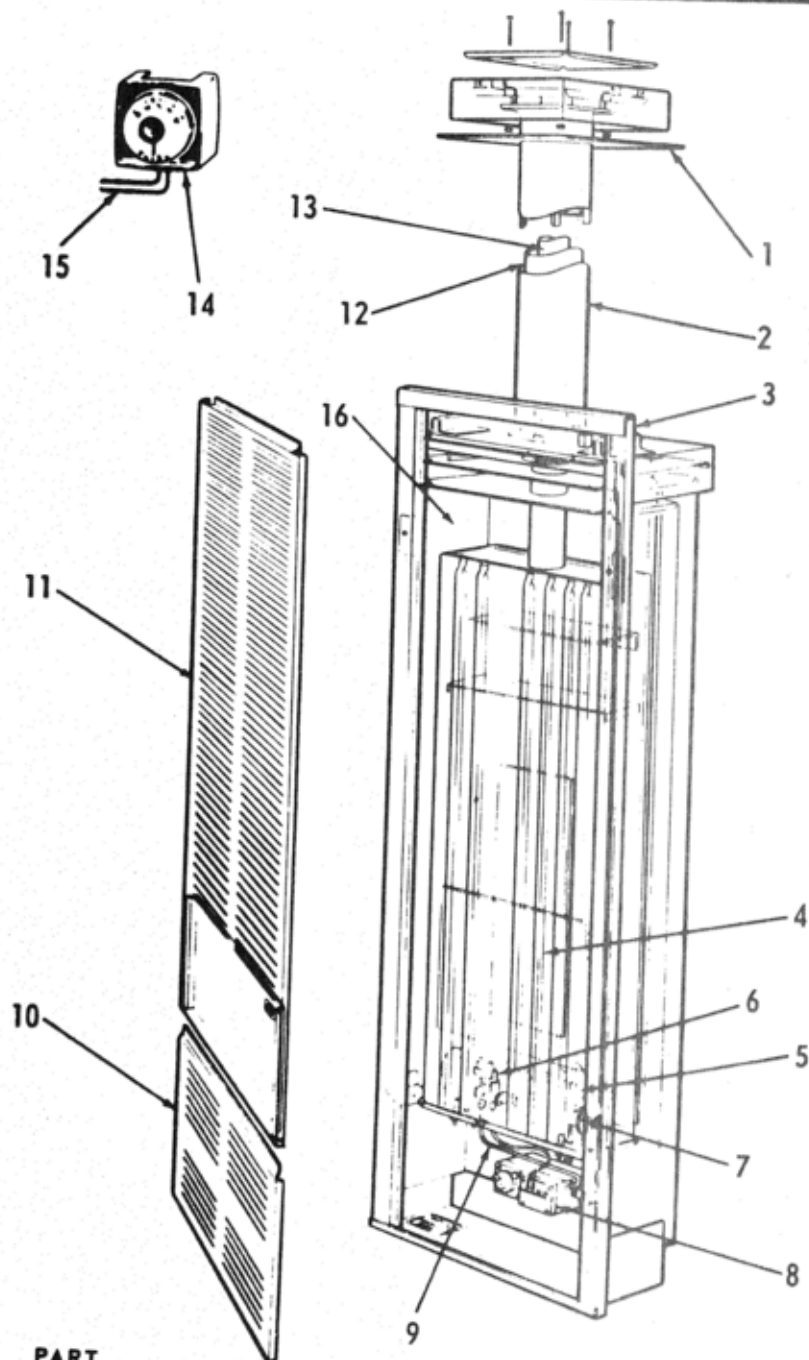
INDEX NUMBER	PART NUMBER	DESCRIPTION	INDEX NUMBER	PART NUMBER	DESCRIPTION
1	G-1464	Draft Hood Assembly	6	G-1011	Pilot Tube for 15T
2	G-1465	Draft Hood Mtg. Plate	6	G-1012	Pilot Tube for 15TU
3	G-1227	Combustion Air Tube	7	G-1130-58	Orifice
4	G-1226	Flue Extension	8	G-1475	Gas Control for 15T
5-9	G-1460	Control and Burner Assy. for 15T	8	G-1334	Gas Control for 15TU
5-9	G-1535	Control and Burner Assy. for 15TU	9	G-1135	Pilot w/Thermo Couple
5	G-1137	Burner	10	G-1456	Heat Chamber
			11	G-1462	Front Panel Assembly
			12	G-1120	Latch Assembly
			13	G-1447	Casing

Form No. DS-408A

ORDER PARTS BY PART NUMBER ONLY - NOT BY INDEX NUMBER  
 ORDER PARTS FROM YOUR DUO-THERM SERVICE DISTRIBUTOR

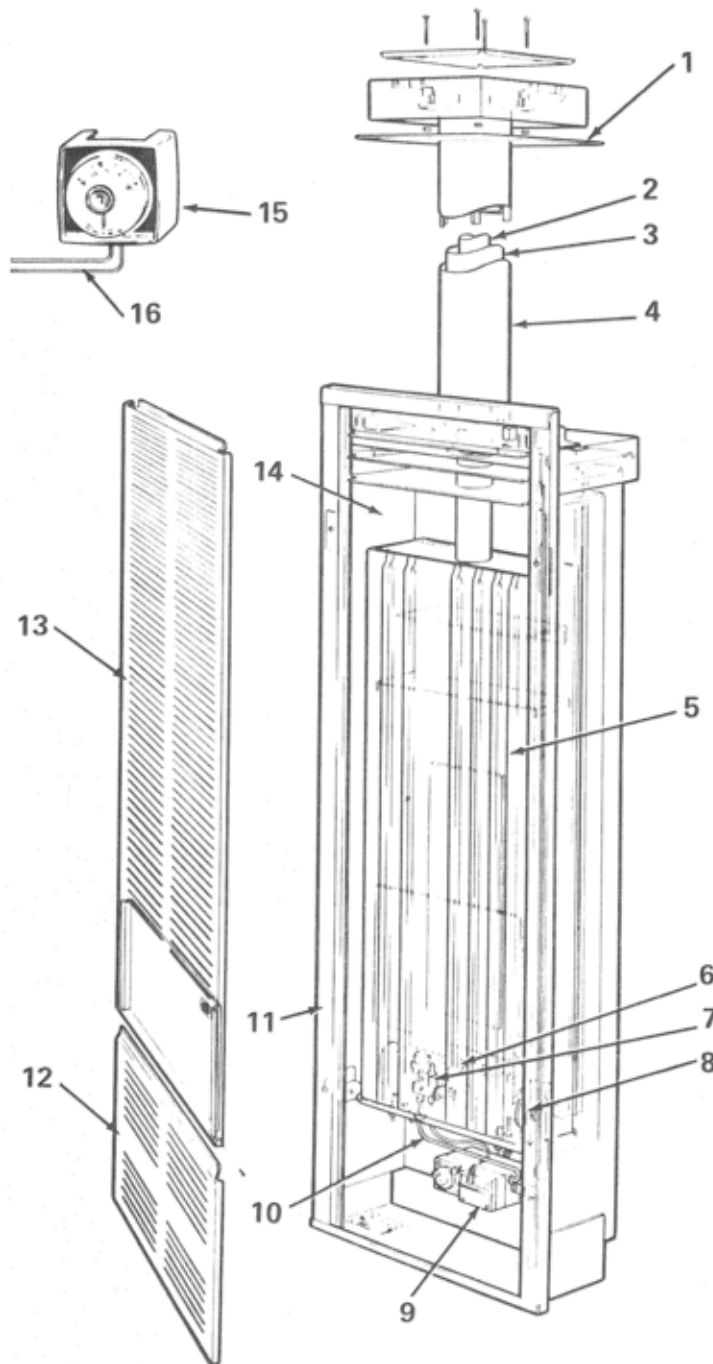
Printed in U.S.A.





INDEX NUMBER	PART NUMBER	DESCRIPTION	INDEX NUMBER	PART NUMBER	DESCRIPTION
1	G-1399	Roof Cap Assembly	7	G-1130-55	Orifice 18-21R RU-RBX
2	G-1181	Comb. Air Tube Ext.	7	G-1130-56	Orifice 15 R-RU-RBX
3	G-1386	Door Frame Assembly	8	G-1421	Control R
4	G-1372	Heat Chamber Assembly	8	G-1334	Control RU
5-9*	G-1383	Control & Burner Assy. R Models	8	G-1410	Control RBX
5-9*	G-1409	Control & Burner Assy. RU Models	9	G-1012	Pilot Tube
5-9*	G-1413	Control & Burner Assy. RBX Models	10	G-1420	Front Panel (lower)
5	G-1319	Burner R-RU	11	G-1419	Front Panel (upper)
	G-1345	Burner RBX	12	G-1408	Flue Pipe Shield
6	G-1135	Pilot W/Thermocouple R-RU	13	G-1407	Flue Pipe
6	G-1411	Pilot W/Generator RBX	14	G-1470	Thermostat RBX
	CP-926	A. Burner RBX	15	G-1471	Thermostat Cable RBX
	CP-927	B. Generator RBX	16	G-1346	Casing

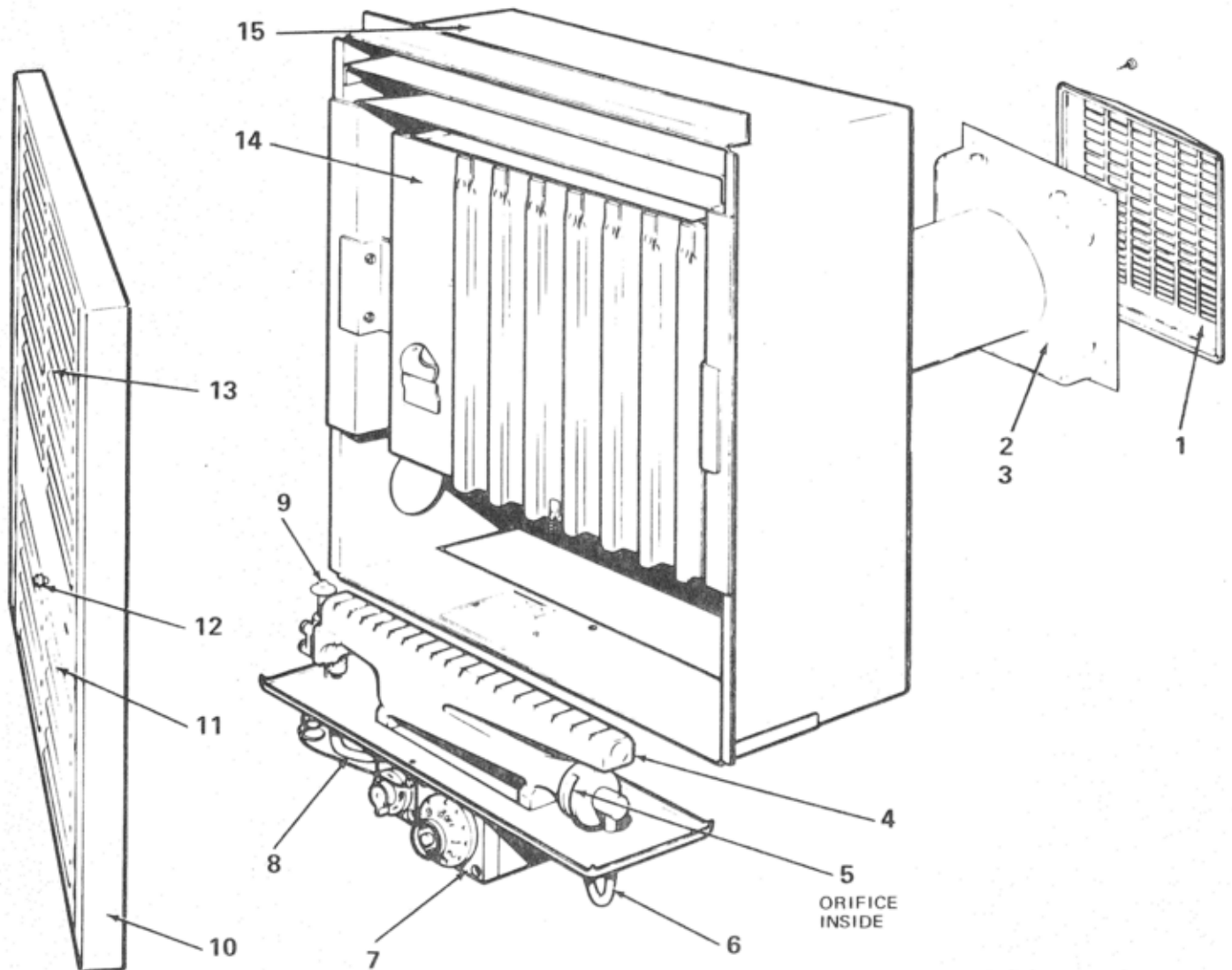
\*WHEN ORDERING BURNER ASSY., SPECIFY MODEL NUMBER OF HEATER.



INDEX NUMBER	PART NUMBER	DESCRIPTION	INDEX NUMBER	PART NUMBER	DESCRIPTION
1	G-1493	Roof Cap Assembly		CP-926	Burner 25RBX
2	G-1312	Flue Pipe		CP-927	Pilot Generator 25RBX
3	G-1603	Flue Shield	8	G-1130-54	Orifice
4	G-1314	Comb. Air Shield	9	G-1320	Control 25R
5	G-1485	Heat Chamber Assy.	9	G-1334	Control 25RU
6-10	G-1018	Control & Burner 25R	9	G-1343	Control 25RBX
6-10	G-1019	Control & Burner 25RU	10	G-1012	Pilot Tube
6-10	G-1020	Control & Burner 25RBX	11-13	G-1917	Front Panel Assembly
6	G-1319	Burner 25R - 25RU	11	G-1490	Frame
6	G-1345	Burner 25RBX	12	G-1543	Panel (Lower)
7	G-2353	Pilot with Thermocouple 25R - 25RU	13	G-1918	Panel (Upper)
7	G-1411	Pilot with Generator 25RBX	14	G-1476	Casing
			15	G-1470	Thermostat 25RBX
			16	G-1471	Cable 25RBX

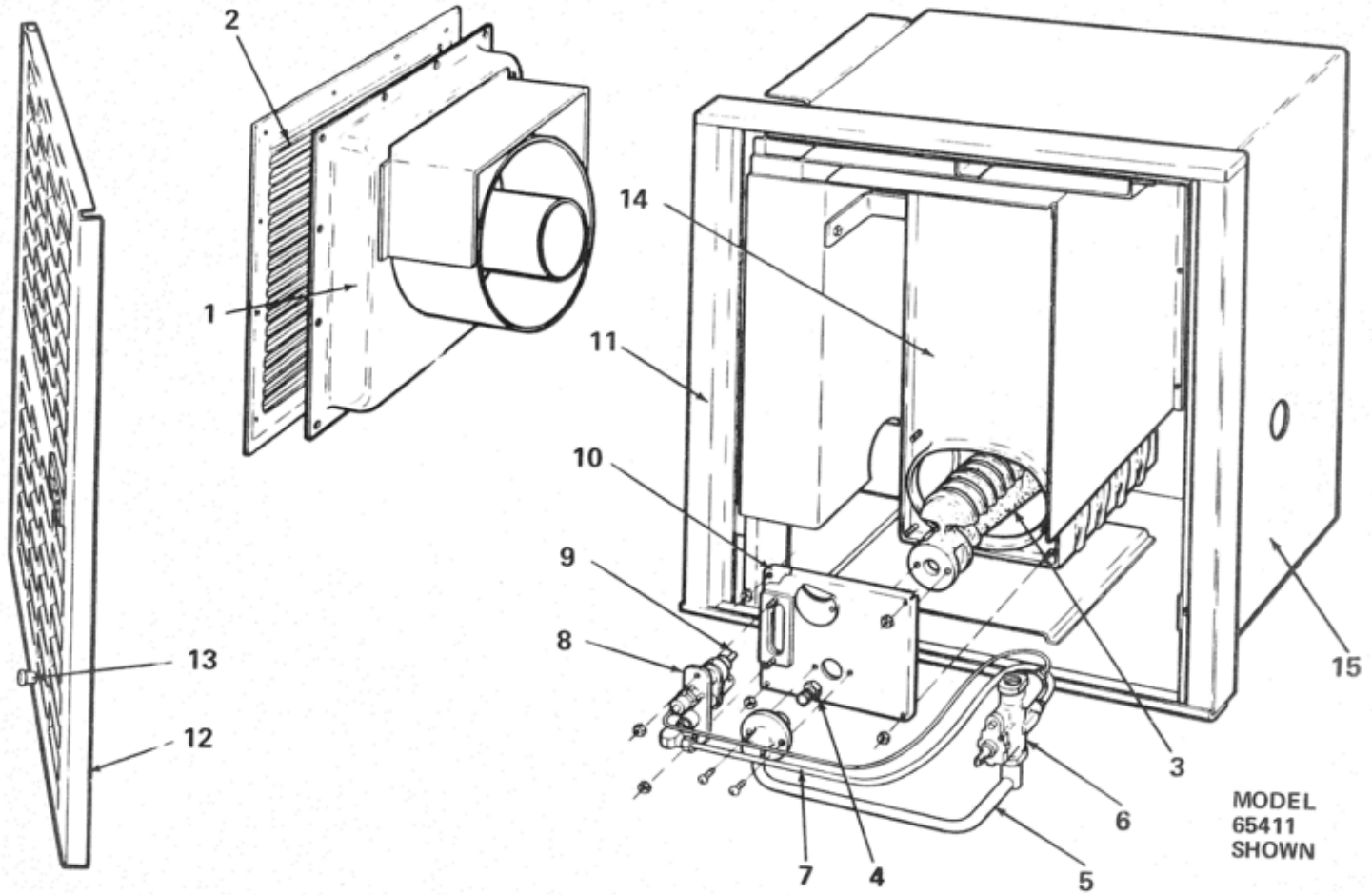
ORDER PARTS BY PART NUMBER ONLY - NOT BY INDEX NUMBER  
 ORDER PARTS FROM YOUR DUO-THERM SERVICE DISTRIBUTOR

**DUO-THERM DIVISION • Motor Wheel Corporation • LaGrange, Indiana 46761**



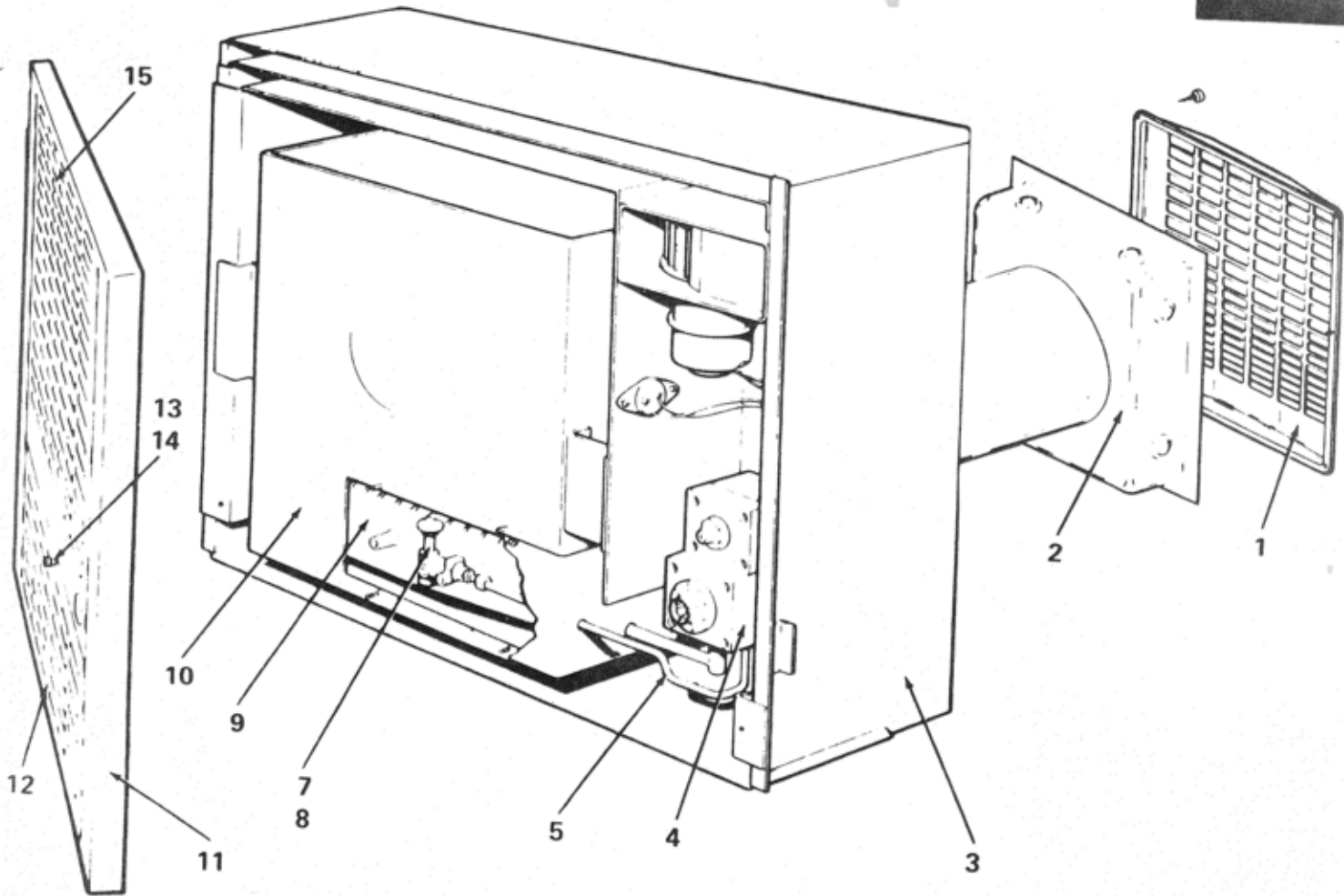
INDEX NO.	PART NO.	DESCRIPTION	INDEX NO.	PART NO.	DESCRIPTION
1-3	G-3188	Vent Assembly	7	G-1626	Control for 65210-1
1	G-2791	Vent Grille	7	G-1334	Control for 65210-2
2	G-1691	Flue Tube Extension	8	G-1011	Pilot Tube
3	G-3085	Recessed Pan	9	G-2353	Pilot w/ Thermocouple
4-9	G-1822	Burner & Control Assembly for 65210-1	10-13	G-2672	Front Panel Assembly
4-9	G-1431	Burner & Control Assembly for 65210-2	10	G-1584	Door Frame
4	G-1209	Burner	11	G-2664	Front Panel (Lower)
5	G-1130-66	Orifice	12	G-1342	Knob
6	G-1824	Burner Pipe 65210-1	13	G-2662	Front Panel (Upper)
6	G-1336	Burner Pipe 65210-2	14	G-1818	Heat Chamber Assembly
			15	G-1811	Casing Assembly

ORDER PARTS BY PART NUMBER ONLY – NOT BY INDEX NUMBER  
 ORDER PARTS FROM YOUR DUO-THERM SERVICE DISTRIBUTOR



Index No.	Description	65211 STRAIGHT VENT			65311 RIGHT VENT			65411 LEFT VENT		
		-1	-2	-3	-1	-2	-3	-1	-2	-3
1-2	Vent Assembly	G-3152	G-3152	G-3152	G-2804	G-2804	G-2804	G-2804	G-2804	G-2804
1	Recess Pan	G-3153	G-3153	G-3153	G-2795	G-2795	G-2795	G-2795	G-2795	G-2795
2	Grille	G-2791	G-2791	G-2791	G-3248	G-3248	G-3248	G-3248	G-3248	G-3248
3-10	Burner & Control Assy.	G-3230	G-3234	G-3235	G-3255	G-3250	G-3256	G-3264	G-3263	G-3260
3	Burner	G-1884	G-1884	G-1884	G-1884	G-1884	G-1884	G-1884	G-1884	G-1884
4	Orifice	G-1130-65	G-1130-65	G-1130-65	G-1130-66	G-1130-66	G-1130-66	G-1130-66	G-1130-66	G-1130-66
5	Burner Pipe	G-2128	G-2128	G-2128	G-2233	G-2233	G-2233	G-2207	G-2207	G-2207
6	Control	G-1626	G-2701	3-13111	G-1626	G-2701	3-13111	G-1626	G-2701	3-13111
7	Pilot Tube	G-2146	G-2146	G-2057	G-1012	G-1012	G-2713	G-1012	G-1012	G-2713
8	Pilot Burner	G-3192	G-3192	G-1915	G-3192	G-3192	G-1915	G-3192	G-3192	G-2357
9	Thermocouple	G-2694	G-2694	G-2137	G-2694	G-2694	G-2137	G-2694	G-2694	G-2137
10	Gasket	G-2454	G-2454	G-2454	G-2454	G-2454	G-2454	G-2454	G-2454	G-2454
11-13	Front Panel Assy.	G-2119	G-2119	G-2119	G-2119	G-2119	G-2119	G-2119	G-2119	G-2119
11	Frame	G-2120	G-2120	G-2120	G-2120	G-2120	G-2120	G-2120	G-2120	G-2120
12	Panel	G-2121	G-2121	G-2121	G-2121	G-2121	G-2121	G-2121	G-2121	G-2121
13	Knob	G-1342	G-1342	G-1342	G-1342	G-1342	G-1342	G-1342	G-1342	G-1342
14	Heat Chamber	G-3148	G-3148	G-3148	G-3265	G-3265	G-3265	G-3183	G-3183	G-3183
15	Casing	G-3164	G-3164	G-3164	G-3247	G-3247	G-3247	G-3259	G-3259	G-3259
16	Thermostat	-----	-----	G-1470	-----	-----	G-1470	-----	-----	G-1470
17	Cable	-----	-----	G-1471	-----	-----	G-1471	-----	-----	G-1471

ORDER PARTS BY PART NUMBER ONLY, NOT BY INDEX NUMBER—ORDER PARTS FROM YOUR DUO-THERM SERVICE DISTRIBUTOR.



Index No.	Description	65212-1	65212-2	65212-3
1-2	Vent Assembly	G-3190	G-3190	G-3190
1	Grille	G-2791	G-2791	G-2791
2	Recess Pan	G-3189	G-3189	G-3189
3	Casing	G-1781	G-1781	G-1781
4-9	Burner & Control	G-1730	G-1740	G-3142
4	Control	G-1626	G-1334	3-13111
5	Pilot Tube	G-1706	G-1706	G-3143
6	Orifice (not shown)	G-1130-63	G-1130-63	G-1130-63
7	Pilot Burner Assy.	G-2354	G-2354	G-1622
8	Pilot Gen.	.....	.....	CP-927
9	Burner	G-1700	G-1700	G-1700
10	Heat Chamber	G-1790	G-1790	G-1790
11-15	Front Panel Assy.	G-2673	G-2673	G-2673
11	Frame	G-1734	G-1734	G-1734
12	Panel (Lower)	G-2668	G-2668	G-2668
13	Knob	G-1342	G-1342	G-1342
14	Latch	G-2660	G-2660	G-2660
15	Panel (Upper)	G-2666	G-2666	G-2666
Not Shown	Thermostat	.....	.....	G-1470
	Cable	.....	.....	G-1471
	Blower Assy. 110V-12V	F-16 110-12	F-16 110-12	F-16-110-12
	Blower Assy. 12V Only	F-16 12	F-16 12	F-16-12

For parts breakdown on Blower Assy., refer to Form No. DS-548

ORDER PARTS BY PART NUMBER ONLY - NOT BY INDEX NUMBER.

**DUO-THERM DIVISION • Motor Wheel Corporation • LaGrange, Indiana 46761**