



**Atwood Mobile Products**  
4750 Hiawatha Drive • Rockford, IL 61103-1298  
**PHONE:** 815•877•5700 **FAX:** 815•877•7469  
**INTERNET:** <http://www.atwoodmobile.com>

September 2003

## INTRODUCTION

The 2004 edition of the Atwood Range Service Manual is a resource created to help service technicians identify Atwood product by serial number, diagnose service problems and efficiently and effectively process warranty claims.

### **Several changes to Atwood product offerings occurred in 2002/2003.**

- The RV series manifold was changed from a 'square tube' manifold to a 'round tube' manifold.
- The Atwood series (RA) had several components revised including: the manifold, burner valves, burner tubes and stovetop.
- For 2003 the Drop-Ins were completely redesigned with a more residential look.

Each of the manuals within this series offers a general overview of the product as well as more specific product information. For each product within the manual, you will find model identification, recommended tools and equipment, a sequence of operation, warnings, annual maintenance procedures, parts and troubleshooting guides, warranty procedures, flat rate schedules, and replacement part reference charts.

Due to the rapidly changing personal computer revolution we have placed troubleshooting information in a variety of places to make sure that the most accurate information is available. The best place to find the current information about Atwood products is our website: [www.atwoodmobile.com](http://www.atwoodmobile.com). At our website brochures may be downloaded, trouble shooting guides reviewed and the latest information bulletins can be read. In addition all Atwood Authorized Service Centers are listed on our site, accessible via an easy-to-use search system.

Service for all Atwood products is handled out of our Rockford location. Should you have any questions regarding our products or the information contained in this manual simply dial 1-800-825-4328. **Be sure to have the Model and Serial Number when you call.**

## Atwood Service Department

**Disclaimer:** The data presented in this publication is obtained from the most reliable sources, and is believed to be accurate as of the date of publication. Responsibility for typographical errors or omission of data cannot be assumed by the publishers.

## TABLE OF CONTENTS

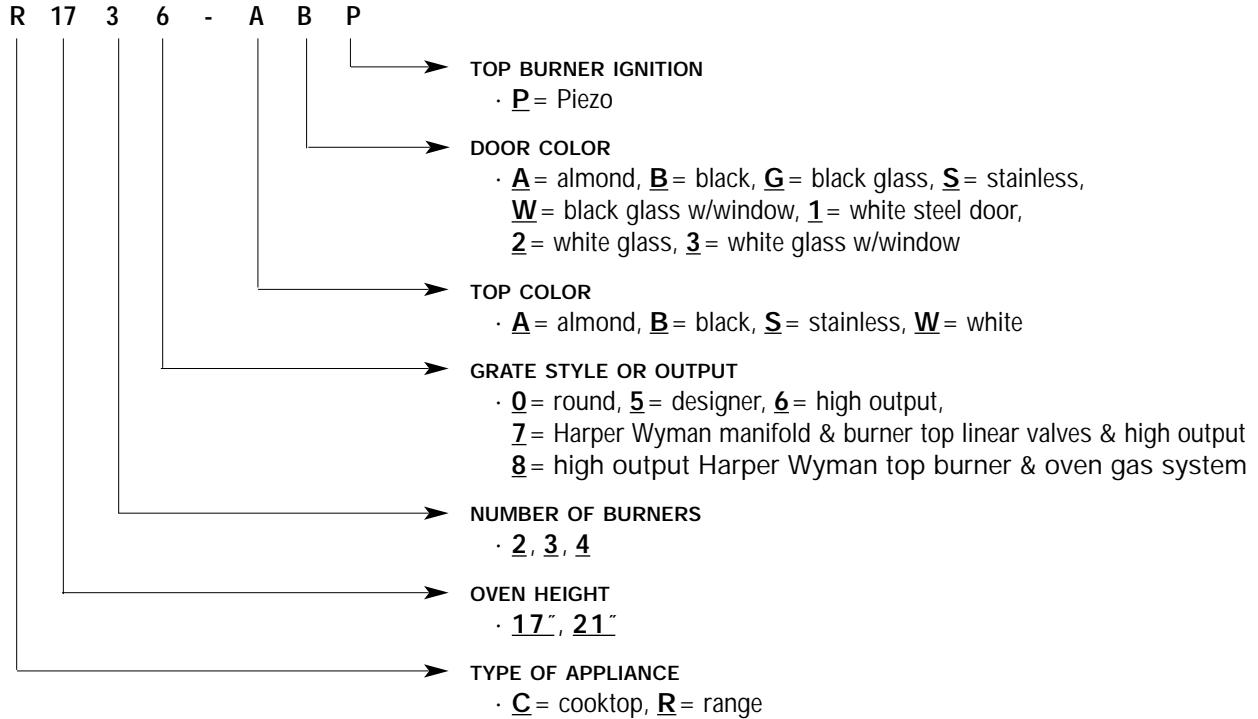
<b>Atwood &amp; Wedgewood Ranges, Slide-In's, and Drop-In's</b>	
<b>Atwood Letter</b> .....	1
<b>Questions</b> .....	3
<b>Model Identification</b> .....	4-5
<b>Range &amp; Oven Gas Components</b>	
Robertshaw / Harper Wyman .....	6
Combination - Harper Wyman/Robertshaw / Harper Wyman .....	7
Regulators .....	8
<b>Sequence of Operation</b> .....	9
<b>Common Top Burner Problems / Oven Burner &amp; Pilot Problems</b> .....	10
<b>Trouble Shooting Guide</b> .....	11-12
<b>Identification of Older Wedgewood Systems</b> .....	13
<b>Cooking Appliance Terminology</b> .....	14
<b>Flat Rate Schedule</b> .....	15
<b>Return Goods Policy (RETURN ADDRESS)</b> .....	16
<b>Warranty</b> .....	17
<b>Warranty Procedures</b> .....	17
<b>Replacement Part Reference</b>	
RA-1731, RA-1730, RA-2131, RA 2130, CA-30 .....	18-19
RV-1732 & 1731, RV-2132 & 2131, CV-32, CV-30 .....	20-21
RW-1731 & 1730, RW-2131 & 2130, CW-30 .....	22-23
Cut out and Wiring Diagrams .....	24-25
C-37 & 38, R-1737, R-1738, R-1746, R-2137, R-2138, R-2146 .....	26-27
R-1730, R-1735, R-1736, R-2136, R-2140, R-2145, C-30, C-35, C-36, C-40, C-45 .....	28-30
DV20, DV30 .....	31
D-21 & 26, D-26SV, D-26SG, D-31 & 36, DA-20, DA-21, DA-30, DA-31, DA-31PE, DAS-20 & 20E, DAS-30, DAS-32E .....	32-35
<b>Atwood Training Tapes and Manuals ORDER BLANK</b>	

**After reviewing this manual, you should be able to answer the following questions:**

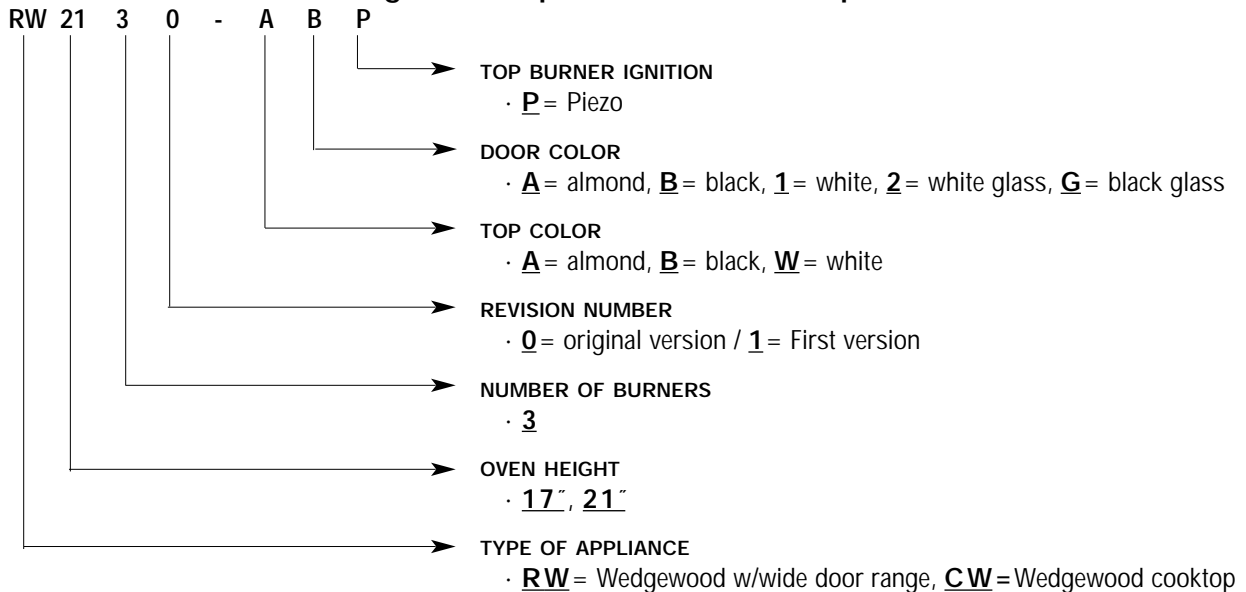
- Are the Harper Wyman and Robertshaw valves, burners and manifolds interchangeable?
- Can a Wedgewood range/oven be converted from LP to natural gas?
- What is the difference between the standby pilot and heater pilot?
- What are the three functions of the oven thermostat?
- What is the function of the oven safety valve?
- What is the difference between High BTU and High Pressure?
- How do you adjust the flame on the top burner and what should the flame look like after that adjustment?
- What is the temperature tolerance range on the oven thermostat?
- What is recommended to clean the oven with?
- How long is it recommended to preheat the oven before placing food in it?
- How many inches should the edge of a pan be from any oven surface?
- After the thermostat is turned to the desired temperature, approximately how long should it take for the oven burner to come on?
- Will the oven burner cycle 'on' and 'off' in the broil mode?
- Can piezo ignition be added to a match lit range?

# Model Number Identification

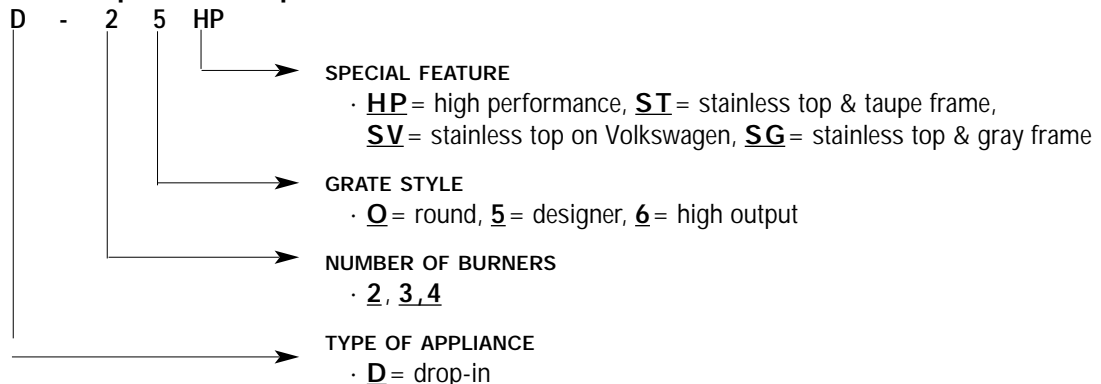
## NARROW DOOR - OLD WEDGEWOOD - Range, Cooktop and Slide-In cooktop



## WIDE DOOR - WEDGEWOOD - Range, Cooktop and Slide-In cooktop



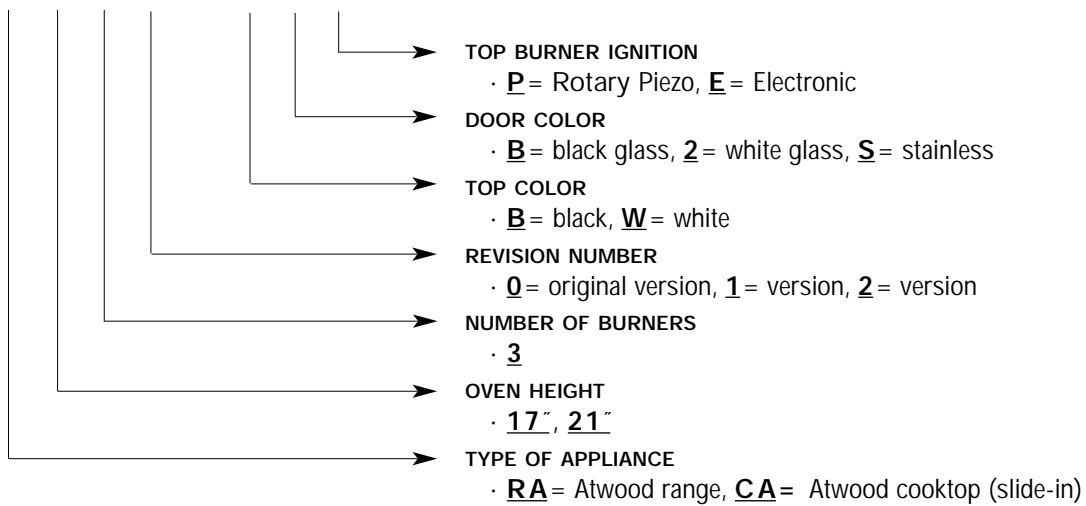
## OLD WEDGEWOOD - Drop-In cooktop



# Model Number Identification

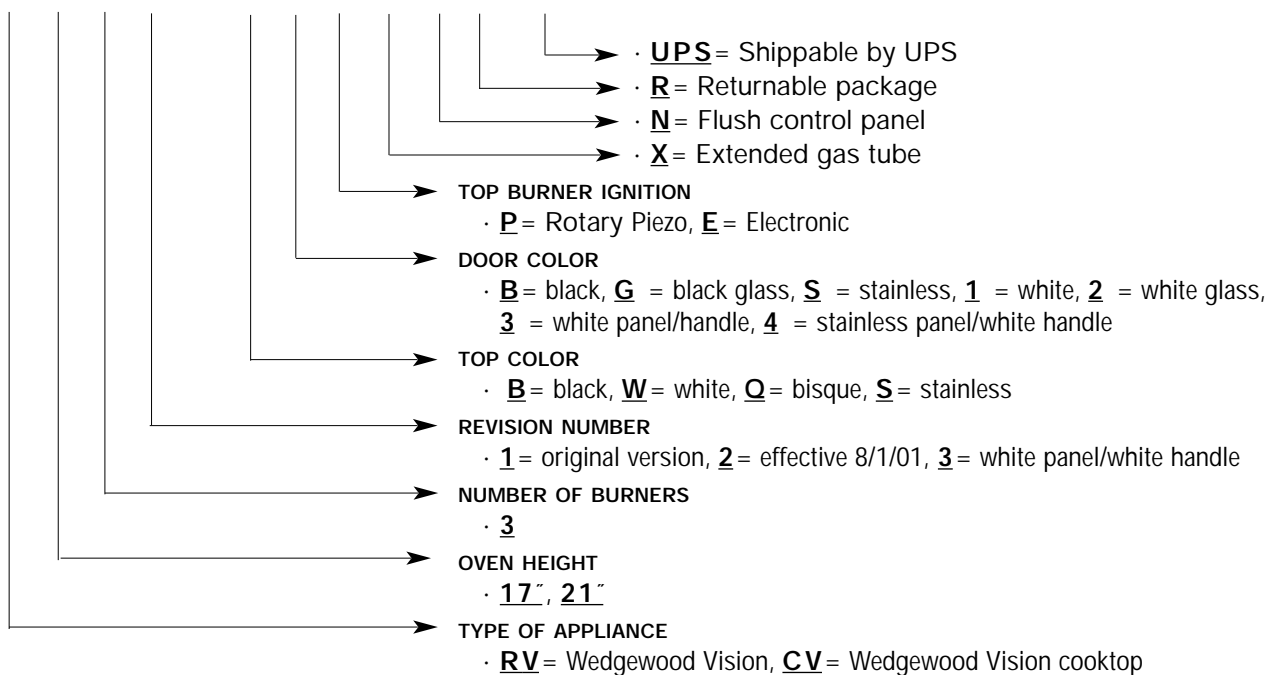
## ATWOOD - Range (Oven and Cooktop with Sealed Burners) and Slide-In cooktops

RA 21 3 0 - B B E



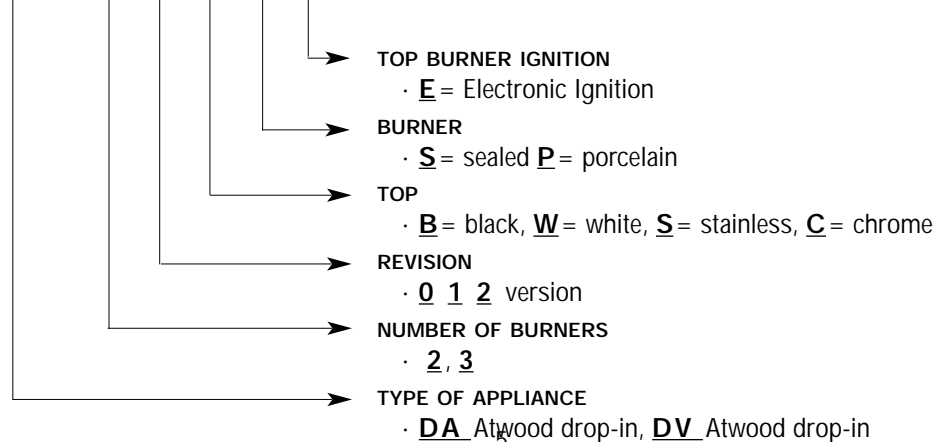
## WEDGEWOOD VISION - Range and Cooktops

RV 21 3 1 - B B P X N R UPS



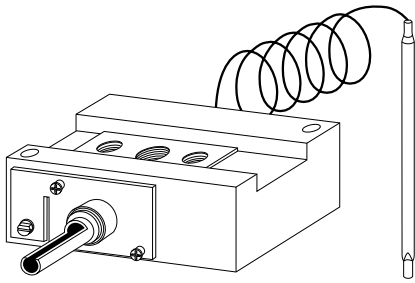
## ATWOOD - Drop-In (Cooktop with Open Burners)

DA - 2 0 B S E

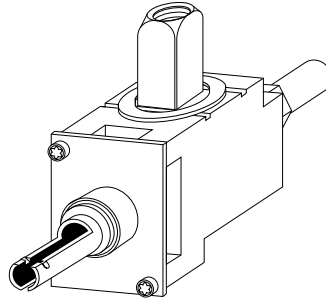


# Range & Oven Gas Components

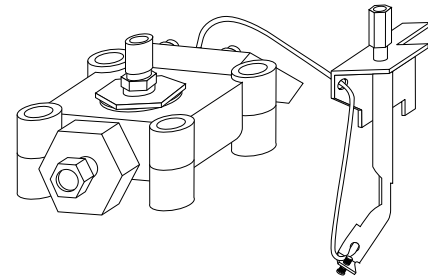
## Robertshaw



Oven Control / Thermostat



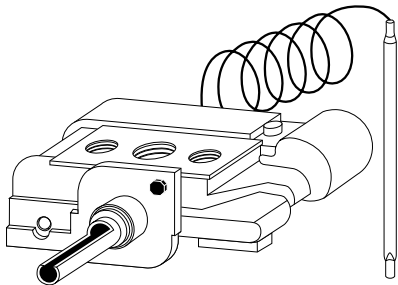
Burner Valve



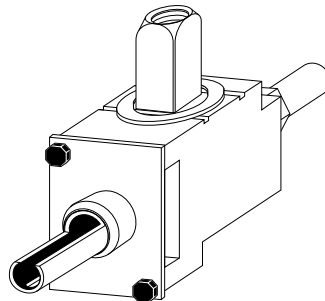
Safety Pilot Valve

- The top burner components mounted on a silver square manifold.
- Ranges in the serial number sequence WT30000 through W840000 used either this system or the Harper Wyman System.
- On a Robertshaw system the following exists:
  - a. the face of the oven control says R.C.C. (Robertshaw Control Company)
  - b. the lowest temperature on oven knob is 170°
  - c. the face plate of oven control and burner valves have silver torx head screws.

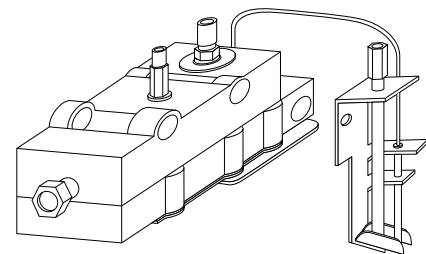
## Harper Wyman



Oven Control / Thermostat



Maxi Burner Valve

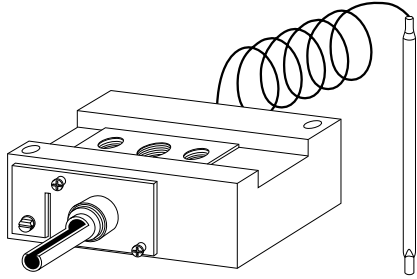


Safety Pilot Valve

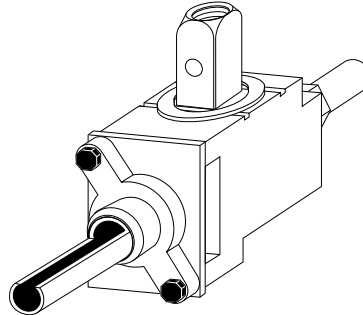
- The top burner components mounted on a silver square manifold.
- Ranges in the serial number sequence WT30000 through W840000 used either this system or the Robertshaw System.
- On a Harper Wyman the following pertains:
  - a. the face of the oven control says H.W. (Harper Wyman)
  - b. the lowest temperature on oven knob is 140°
  - c. the face plate screws on the burner and oven valves are black and have octagonal heads.

# Range & Oven Gas Components

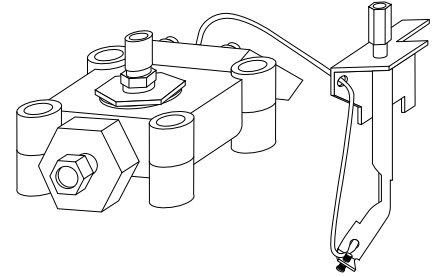
## Combination - Harper Wyman/Robertshaw



Robertshaw Oven Control /  
Thermostat



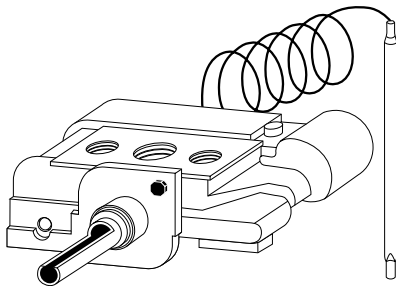
Harper Wyman Mini Burner  
Valve



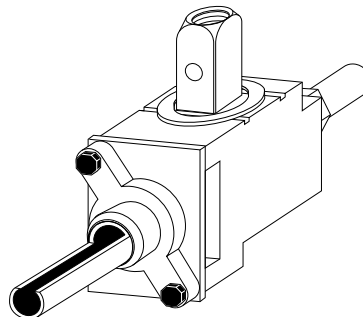
Robertshaw Safety Pilot Valve

- Products whose model number is R or C \_\_\_7\_\_\_ have combined system (R2137-ABP).
- Top burner system is Harper Wyman
- Lowest temperature on oven knob is 170°
- Oven control system is Robertshaw

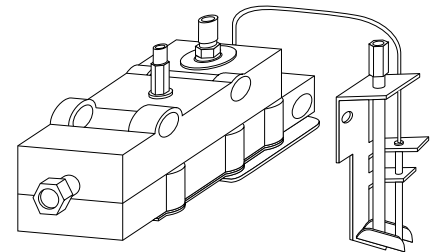
## Harper Wyman



Harper Wyman Oven Control /  
Thermostat



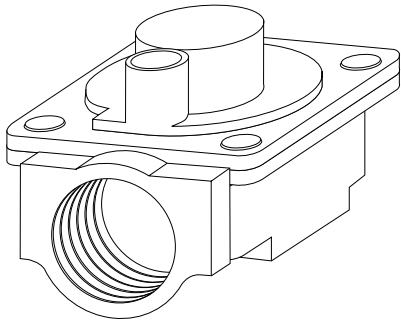
Harper Wyman Mini Burner  
Valve



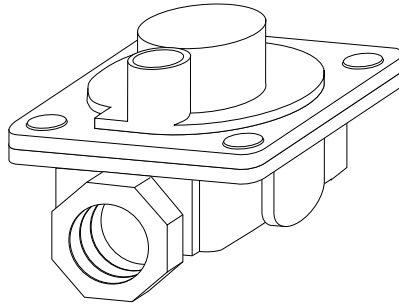
Safety Pilot Valve

- Range/Ovens whose model number is R \_\_\_8\_\_\_ to current model have a complete Harper Wyman oven and range valve system
- Cooktops whose model number is C \_\_\_8\_\_\_ to current model have a complete Harper Wyman range valve system
- Top burners are Harper Wyman and linear.
- Lowest temperature on oven knob is 170°
- Oven control and safety pilot valve are also Harper Wyman.

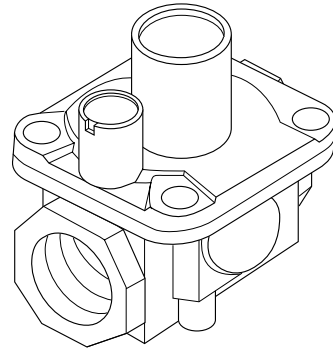
# Regulators



**SCP**



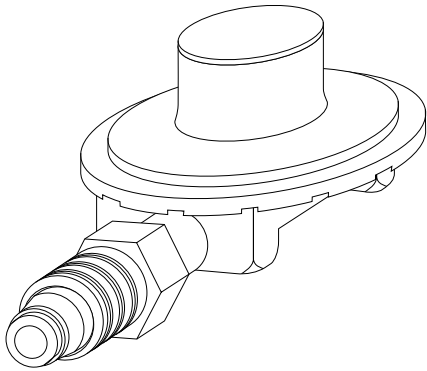
**Maxitrol**



**Harper Wyman**

## **Standard Pressure Regulator**

- Used on all of our standard drop-ins, cooktops and ranges
- Regulate pressure at 10" W.C.



## **High Pressure Regulator**

- Product Serial # begins with HP.
- Pressure is 16 psi
- Special cooking appliances designated for outdoor use only



# Sequence of Operation

**Standard Pressure Regulator** - this valve receives up to 13" W.C. pressure gas from LP bottles, and reduces it to 10" W.C. for the manifold.



**Manifold** - a continually pressurized pipe distributing gas to top burner valves and oven valve.



**Oven Thermostat** - supplies gas to the oven pilot, the safety pilot valve, and regulates the oven temperature.



## PILOT ASSEMBLY

**Standby Pilot** - with the oven knob placed in the pilot position, the oven valve will supply gas to the pilot assembly. This standby pilot will stay lit until the oven knob is turned to the OFF position. It also supplies the gas for the heater pilot.



**Heater Pilot** - on initial start-up, when the oven thermostat knob is turned to the desired temperature, the volume of gas increases from the thermostat and the smaller standby pilot increases to a larger heater pilot flame. This higher pilot flame heats the thermocouple thereby opening the safety pilot valve to allow gas to flow to the oven burner. The heater pilot thereafter only comes on when the thermostat calls for heat.



**Safety Pilot Valve** - controls the gas flow to the oven burner. The valve is operated by a thermal bulb located over the heater pilot. When this bulb is heated, it opens the safety pilot valve which then supplies gas to the oven burner.



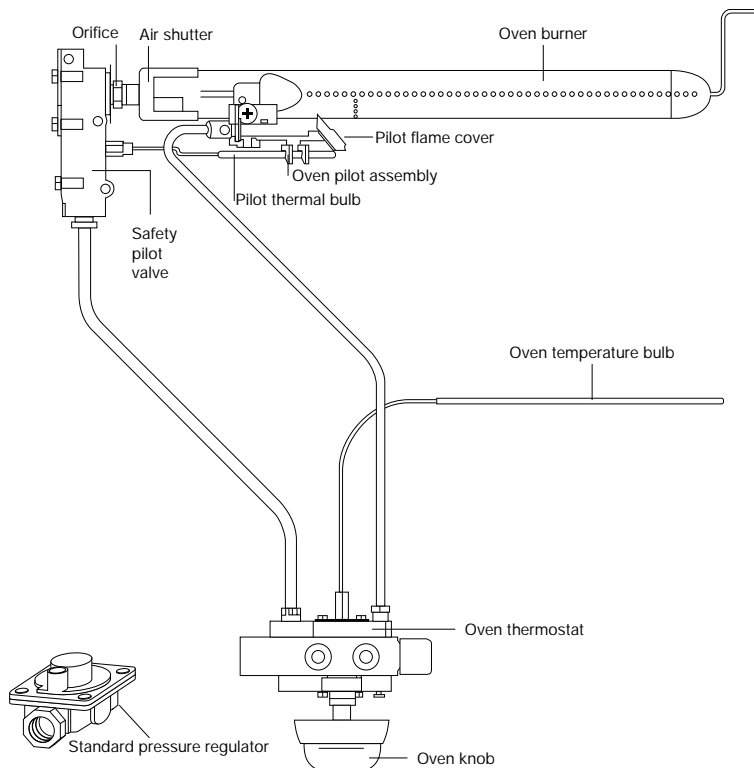
**Oven Thermostat** - senses oven temperature by means of a thermal bulb located in the top of the oven. The oven control knob is set to the desired temperature calling for heat, the fluid expands in this bulb, opens a seat in the thermostat and supplies gas to the safety pilot for the higher heater pilot. This heater pilot initiates the process for starting the oven burner as described above. When the oven temperature is satisfied, the fluid in this bulb decreases which closes a seat in the oven valve and throttles the pilot size down to the standby pilot mode thereby shutting the oven burner OFF. This cycle will continue until the range is turned off.

## Component Identification

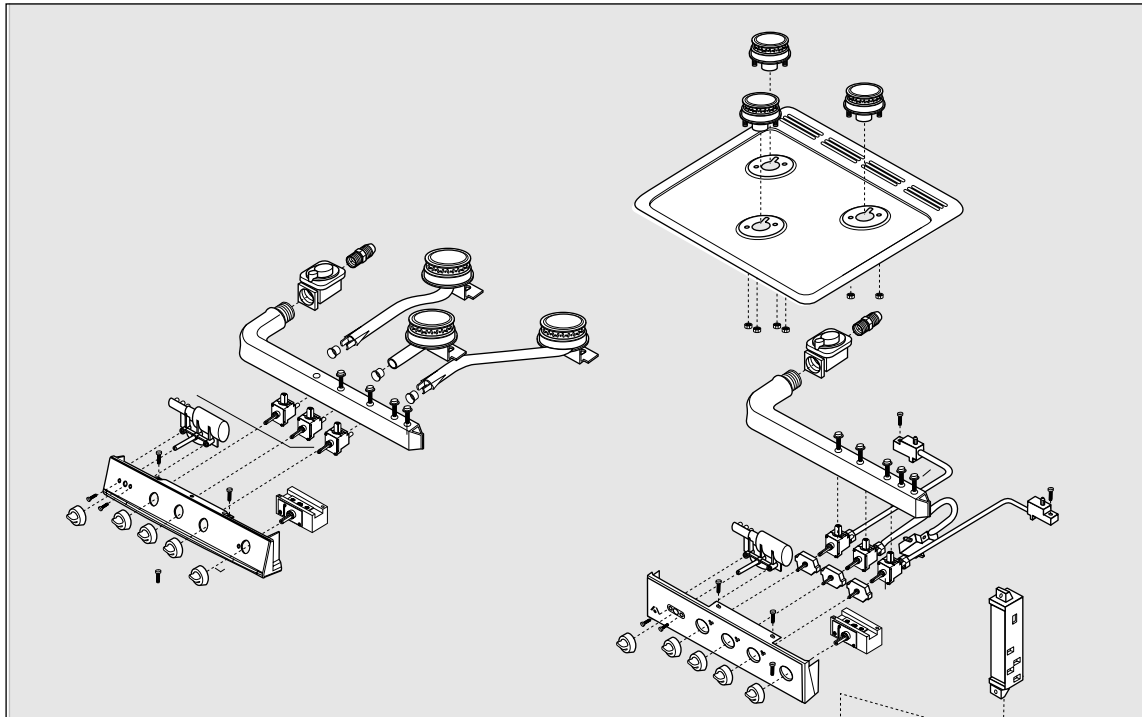
The temperature tolerance of the thermostat is  $\pm 25^{\circ}\text{F}$ .

The oven burner will come on approximately 1-1/2 minutes from a cold start and 10 seconds from a hot start.

The oven burner may cycle during the broil mode.



# Common Top Burner Problems



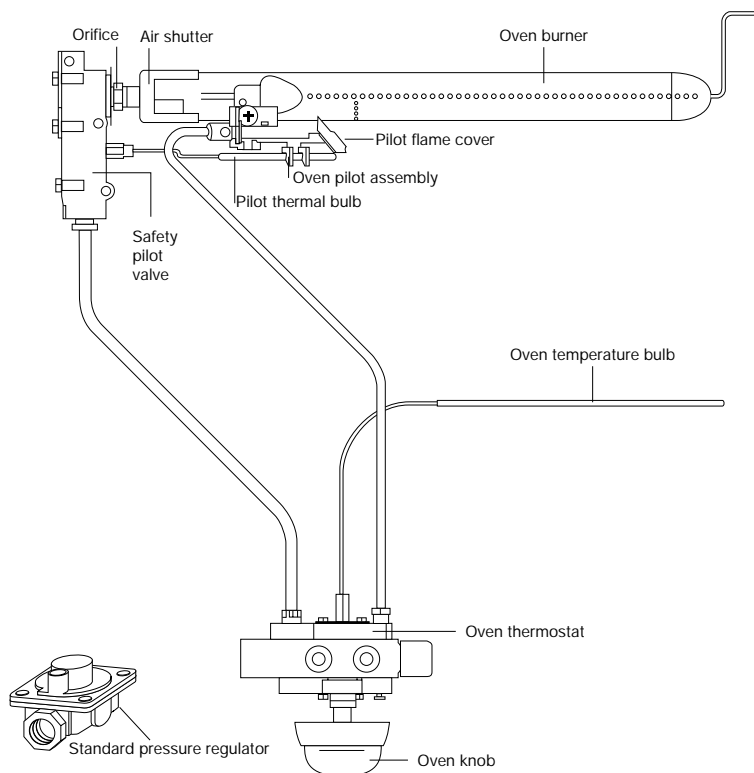
- burners won't light or stay lit
- top burner lights, but flame too small
- piezo doesn't ignite burner
- burner flame lifts off burner

Refer to Trouble-shooting Guide for causes and solutions.

# Oven Burner and Pilot Problems

Refer to Trouble-shooting Guide for causes and solutions.

- oven pilot outage
- small oven flame heating slowly
- oven pilot will not go to high flame
- oven flame lifts off burner, cycling too frequently
- oven burner will not come on with high pilot



Effective: 8/27/01

Guides are only intended for use on Atwood® products by service technicians who have successfully completed Atwood® training. This guide should be used in conjunction with the appropriate Instruction Manual provided with the product and any applicable Industry Standards. This is not intended to be a complete list. Please direct questions concerning service of Atwood® products to 800-825-4328 before proceeding.

<b>CAUSE</b>	<b>SOLUTION</b>
<b>RANGE PILOT WON'T LIGHT OR STAY LIT</b>	
Insufficient gas pressure .....	1. Check for gas leaks and have regulator checked by qualified LP gas technician
	2. Check gas supply
	3. Set pressure to 11" W.C. with two or more gas appliances running
Supply valve closed .....	Turn valve on
Blocked pilot orifice, or blocked flash tubes .....	Clean pilot orifice with toothpick; clean flash tubes
Pilot flame cover out of position, .....	Reposition pilot flame cover, and/or remove carbon and/or coated with carbon build up.
<b>BURNER(S) WON'T LIGHT OR STAY LIT</b>	
Insufficient gas pressure .....	Check for gas leaks, have regulator checked by qualified LP gas technician
Incorrect air/gas mixture .....	Adjust air shutter if applicable
Blocked orifice .....	Clean with toothpick
<b>BURNER LIGHTS, BUT FLAME IS TOO SMALL</b>	
Improper gas pressure .....	Check for gas leaks, have regulator checked by qualified LP gas technician
Improper air/gas mixture .....	Adjust air shutter if applicable
Problem burner valve .....	Replace burner valve
Blocked orifice .....	Clean with toothpick
<b>BURNER FLAME LIFTS OFF BURNER HEAD</b>	
Gas pressure too high .....	Have regulator check by a qualified LP gas technician
<b>OVEN BURNER LIGHTS, BUT FLAME REMAINS VERY SMALL AND OVEN HEATS VERY SLOWLY</b>	
Improper gas pressure .....	Check for gas leaks, have regulator checked by qualified LP gas technician
Blocked orifice .....	Clean with alcohol and cotton swab
<b>OVEN BURNER FLAME LIFTS OFF BURNER AND OVEN CYCLES TOO FREQUENTLY</b>	
Gas pressure too high .....	Have regulator checked by qualified LP gas technician, or improper gas mixture
<b>OVEN COOKS UNEVENLY AND/OR FOOD BURNS ON THE BOTTOM</b>	
Poor oven ventilation .....	Oven too full for proper circulation - must have 1" clearance in all directions. Ventilation holes in oven bottom (shelf above burner) are covered. Check the top vent (on back of range) it must be clear of all insulation, etc.
Problem thermostat .....	Replace thermostat.
Oven not preheated .....	Oven must be preheated at least 10 minutes.
Thermo bulb out of position .....	Thermobulb must be in clip on back of oven - pans cannot touch thermo bulb.

**OVEN PILOT OUTAGE**

Safety Thermal Bulb out of position .....	Re-position the safety thermal bulb.
Problem thermostat .....	Replace thermostat
Blocked oven vent .....	Remove obstruction from vent
Incorrect oven burner gas/air mixture .....	Readjust air

**YELLOW FLAME TIPS**

Improper gas-air mixture .....	Adjust air shutter if applicable
Low gas pressure .....	Check gas supply
	Check for leaks and have the regulator checked
	Set pressure to 11" water column
RA Ranges and Cooktops	
Improper orifice to burner alignment .....	Realign burner head and orifice tube assembly
	Replace orifice

## IDENTIFICATION OF OLDER WEDGEWOOD SYSTEMS

**Robertshaw Gas System - Regular Ovens and Cooktop**

**Models:** Serial #'s begin with a W and consist of 6 digits.  
(example W840000).

**Robertshaw Gas System - High BTU 3 burner Range and**

**Cooktop Models:** Serial #'s begin with a SB and consist of 4 to 9 digits.


**PART DIFFERENCES FOR ALL HIGH BTU RANGES AND MAINTOPS-**

- Same oven control, regulator, safety-pilot & oven burner as regular ovens & cooktops.
- Earlier models used 2-52123 burner valves on rear burners.
- Manifolds, top burners and maintops are different from standard ranges.

You can identify the system by one of the following:

1. Look at the oven control face plate (behind the knob)  
H.W. = Harper Wyman  
R.C.C. = Robertshaw Control Co.
2. By looking at the first temperature on the oven knob  
140 degrees = Harper Wyman system  
170 degrees = Robertshaw system
3. Manifold (shape and color)

Both Robertshaw and Harper Wyman use a dull grey square manifold pipe.

 <b>WARNING</b> PERSONAL INJURY & PROPERTY DAMAGE
• Robertshaw and Harper Wyman gas systems cannot be interchanged.

**HARPER WYMAN SYSTEMS  
EARLY WEDGEWOOD MODELS WITH OLDER SYSTEMS**

Between the years of 1991 to 1993 our gas systems were divided between Harper Wyman and Robertshaw. The serial numbers that involve a Harper Wyman and Robertshaw system would be in serial number series W73000 to W839999. The burner maintops and all cosmetic parts are the same. The gas system will be the only difference:

**DURING 1978 TO 1980** we used all black square manifolds with the above burner valve, but we used a different oven control/thermostat 3902262 which did not offer a constant burning pilot in oven. They light the pilot on LOW TEMP AND THEN MOVE TO DESIRED TEMPERATURE. When done cooking they simply turn to off. The pilot had to light each time they got ready to use the oven. This control is NO LONGER AVAILABLE, however, you can sub it with the following:

**51095** - - -Oven control/thermostat looks just like the 3902262 but, this will have a pilot on position where they don't have to light pilot before each use. This control when subbing for the 3902262 must change the oven knob to 51059 (also, known as 52286) even though the controls look alike, the knobs must be changed to provide correct substitution.

Rest of the gas system is as follow:

- 51096** - - -Burner Valve NO LONGER AVAILABLE (same as 51224)
- 51063** - - -Safety Valve (same as 51177)
- 51062** - - -Regulator (same as 52154)

All these parts are still available, no substitutes

**DURING 1981 TO 1983** we used the black square manifold systems, along with a different Harper Wyman system, different from the one in 1991 to 1993.

**DURING THE MIDDLE YEARS 1960'S TO 1972** Wedgewood used a gas system that used a black round manifold, with the oven control mounting to the front of the stove and does not mount to a manifold. This system is no longer available and no substitutions are available for that system. Part numbers and listed, Johnstone Supply Co. was the supplier. The obsolete part numbers were as follow:

Serial numbers on these ranges would start with the letters C, E, F, and consist of 5 to 6 digits.

Atwood will not be able to supply any parts. Contact Leisure Time in New Hampshire at 1-800-258-3078 when your customer has the above gas system. They can refer you to the nearest location.

During the Wedgewood years the part numbers consisted of 7 digits. When Atwood took over they needed the part numbers to consist of 5 digits only, so Wedgewood took existing part numbers and dropped the 390 keeping the last four digits and added a 5 to the front (example: 3902281 became 52281)

**DURING THE YEARS OF 1972 TO 1978** the following systems were used. We've noted the replacements for these no longer available controls. Serial numbers started with a J, K, G, H and consisted of 5 to 6 digits;

**3901183** Oven control mounted to a black square manifold this control used two screws to mount it and the screws went completely through the oven control. NO LONGER AVAILABLE.

**USE:** 51095 Oven control/thermostat (old 52281) looks different, takes shorter screws for mounting. MUST CHANGE KNOB FOR 51095 TO WORK. Order oven knob #51059, (old 52286) It is designed for the calibration of the control.

**3901175** Oven control mounted to a black square manifold. This control installs the same as above, however, it had 3 ports on back; one for center gas pilot. NO LONGER AVAILABLE.

**USE:** 51095 Oven control/thermostat (old 52281). It looks different, and will DISCONTINUE the center pilot between burners on top. To continue this feature you need to purchase new manifold pipe with ON and OFF valve for center pilot. Knob also needs to be replaced with 51059 (old 52286)

**3901184** Oven control mounted to a black square manifold for eye level ranges only. NO LONGER AVAILABLE FOR SUBSTITUTE

**3901224** Burner valve used with above controls same as 51224 or use blister pack number 51096. Still available from Atwood. They only mount to BLACK SQUARE MANIFOLDS.

**DROP-INS** - Wedgewood also, makes drop-in models (D20, D25, D30, D35). We have used this system approximately from the **END OF 1992 TO 1995**, however, February and March of 1995 we changed one burner valve on D30, D35 models. The front burner has been changed to a Hi BTU burner 6500 BTU valve on both burners for models D20 and D25.

Burner valves that are regular 5200 BTU have a black face plate, 6500 BTU valves have a gold face plate.

Maintops are ordered by Model number and color.

Before Atwood purchased Wedgewood in 1986 the model numbers were different. Below is a cross reference chart.

WEDGEWOOD	ATWOOD	DISCONTINUED		
T212	C30	T312	C35	D20
T214	C40	T314	C45	D20
T2122	R1730	T3122	R1735	D25
T2130	R1740	T3130	R1745	D25
T2150	R2140	T3150	R2145	D35
T2142				D25SV
				D25ST
				S=25WHP

If you have a Wedgewood Model number you can use the parts list for Atwood model numbers for cosmetic parts. Depending on the age of the range, the gas system may not be the same. Gas system parts are ordered by either Model or Serial number.

Wedgewood Models numbers discontinued are as follow:

- |       |         |        |
|-------|---------|--------|
| W7102 | T2172LL | W2172C |
| W7103 | W2172LL | C7200  |
|       |         | C7300  |

# COOKING APPLIANCE TERMINOLOGY

Terminology	Definition	Terminology	Definition
<b>AGA</b>	American Gas Association	<b>Pilot Orifice</b>	A precision drilled thimble shaped component that meters gas flow to the pilot.
<b>Calibration</b>	The condition that determines whether the thermostat is registering temperatures properly.	<b>Regulator</b>	Device that reduces the high pressure from the LP bottles to a lower pressure for the appliances.
<b>CGA</b>	Canadian Gas Association	<b>Sealed Burner</b>	A burner head attached directly to the porcelain main top which prevents spilling to the burner box.
<b>Electronic Ignition</b>	12v DC module activated by switch to ignite top burners.	<b>Standby Pilot</b>	The oven pilot that burns constantly and provides the base for the heater pilot.
<b>Heater Pilot</b>	An extension of the standby pilot that opens the oven safety valve to enable gas to flow to the oven burner.	<b>Thermal Bulb</b>	The bulb located in the oven and connected to the thermostat that contains thermal fluid and causes the thermostat to close and open based on the set cooking temperature.
<b>Main Burner Orifice</b>	A precision drilled thimble shaped component that meters gas flow to the main burner.	<b>Top Burner Lighter Pilot</b>	The pilot used to light the top burners on older ranges.
<b>Manifold</b>	The constantly pressurized tube or pipe that supplies gas to the burner valves.	<b>UL</b>	Underwriters Laboratories
<b>Oven Safety Valve</b>	The valve that controls the gas flow to the main burner.	<b>Yellow Tipping</b>	A burner flame with yellow tips caused by improper gas/air mixture. Caused by improper gas pressure, improper alignment or restriction of orifice and venturi tube.
<b>Oven Thermostat</b>	It is the component that regulates the temperature of the oven at the desired cooking temperature and supplies gas for both the standby and heater pilots.		
<b>Piezo Igniter</b>	An electro-mechanical device that can be used to ignite a top burner.		



**Atwood**

**Atwood Mobile Products**

4750 Hiawatha Drive • Rockford, IL 61103-1298

PHONE: 815•877•5700 FAX: 815•877•7469

INTERNET: <http://www.atwoodmobile.com>

# Recreation Vehicle Ranges

# Flat Rate Schedule

March 4, 2003

## TIME ALLOWANCE SCHEDULE in hours

	RA 17 & 21	RV1732, RV2132 RV1731, RV2131 RW1731, RW2131 RW1730, RW2130	CW 30 CV 30 CA 31 CV 32	D-21/26/31/36 D-26 SV & SG DA-20/21/30/31 DA-31PE DAS-20/20E/30/32E
Complete Unit	1.0	1.0	.7	.5
Bifold Cover	.2	.2		
Burner Head	.3	.3	.3	.3
Burner, Oven	.3	.3		
Cover, Manifold	.6*	.6*	.4*	.4*
Handle	.2	.2		
Hinge, Door	.5	.5		
Ignition Module	.7		.7	
Ignition Switch	.7		.7	
Oven Control (Thermostat)	1.0*	1.0*		
Oven Door	.3	.3		
Maintop	.2	.2	.2	.2
Manifold, Pipe	.5	.5	.5	.5
Piezo Igniter	.5	.5	.5	
Regulator	.5*	.5*	.5	.5
Safety Valve/Pilot Assembly	.5	.5		
Seal	.3	.3		
Spring, Hinge	.3	.5		
Trim, Bottom	.6*	.6*		
Trim, Maintop, LH/RH	.9*	.9*	.6*	
Trim, Vent Top	.7*	.7*	.5*	
Valve, Burner	.6	.6	.6	.6
All Other Parts	.5*	.5*	.5	.5

\* indicates 0.5 hours will be allowed to remove and install the appliance. If two or more parts are replaced on the same appliance during the repair, the R & R allowance to remove the appliance will be applied to only one part.

### NO LABOR IS ALLOWED TO CHANGE KNOBS

Above time allowances include all operations involved in the diagnosis, location and replacement of part. Also, included is the time required to remove and replace any part or assembly that is in the path of a part being replaced and gas leak test when applicable.

## FOR EFFICIENT PROCESSING OF CLAIM

1. Call for a RGN number.
2. Fill Warranty Service Report form out completely.
3. Using tape or a tag mark the returning part with the RGN #.
4. Package part including the Warranty Service Report in the box.
5. On the outside of the package clearly mark the RGN number.
6. Return part to the correct Division of Atwood Mobile Products.

## Return Goods Policy

Effective August 7, 1995, all Atwood defective returns will no longer be repaired at the warehouses and returned to customers. Defective returns will be shipped back to the respective manufacturing facility for problem cause analysis within 30 days of sales. Full credit will be issued if the cause analysis determines Atwood is responsible. If the cause analysis determines the customer is responsible, partial or no credit will be issued.

**Warranty Returns** - the warranty policy, must return policy and approved labor rates provide the framework for warranty returns by product line.

**Non-Defective Returns** - A restocking fee of 20% will be charged for handling of overstock returns or standard stock items ordered incorrectly by the customer providing the product is received in resalable condition. **Product that has been specifically designed at a customers request is non-returnable. Obsolete or out dated product will not be accepted for credit.**

**Shipping Damage** - Once the product has been accepted at its final destination it is the customers responsibility to file a damage claim with the carrier.

Follow **Warranty Procedures** for Atwood returns.

## Return Parts

When returning parts, there are three divisions responsible for specific product and their claims. Prior to returning parts, a Return Goods Number (RGN) must be obtained by calling the Atwood Mobile Product Service Department at 800-825-4328.

**Shipping** - Reasonable shipping charges are reimbursed on defective and warranty parts if the analysis determines Atwood is responsible for the disposition. All products not shipped via Atwood trucks should be shipped prepaid via UPS ground unless negotiated at the time the RGN is given. No collect shipments will be accepted.

**Packaging** - The RGN must be identified on each container & all packing information. Product returned must be properly packaged to prevent shipping damage. Full credit will not be issued on product sent back on an open skid or improperly packaged. Additional product boxes are available upon request.

Submit claims to the correct division. Failure to do so makes claim processing a more difficult and lengthy process delaying payment of your claims. Together we can maintain a speedy and efficient warranty program.

**WATER HEATERS/HARDWARE (jacks, couplers, 5th wheel & braking systems)**  
Atwood Mobile Products  
4750 Hiawatha Drive  
Rockford, IL 60013

### FURNACE/LP DETECTORS

Atwood Mobile Products  
Salt Lake City Operations  
1874 South Pioneer Road  
Salt Lake City, UT 84104

### CO DETECTOR

KIDDE Safety (1-800-880-6788)  
1394 South Third Street  
Mebane, NC 27302

### RANGE/COOK TOPS/DROP-INS/SOL-A-VENTS

Atwood Mobile Products  
Wedgewood Operations  
6320 Kelly Willis Road  
Greenbrier, TN 37073

## Must Return Parts List

Under Atwood's Warranty Administration Program we require, with the return of warranty claims, the specific parts noted below. **Failure** to accompany your claims with these parts will result in the **non-shipment of a replacement part**, or the **non-processing of the appropriate credit** until such time as the part is received by Atwood.

Before returning the part, a **RGN (Return Goods Number)** must be obtained. This number can be acquired for all products except seating, by calling the Atwood Mobile Products Service Department at 1-800-825-4328. To obtain RGN's for seating components, please call 1-219-522-7891. **Without this RGN appearing on the outside of the shipping carton, the shipment will be refused at our receiving department.**

### FURNACE

All parts

### HARDWARE

Couplers  
Jacks  
Actuators  
Master cylinders  
Shock absorbers  
Foundation brakes  
Power jacks  
Power jack motors  
All 5th Wheel items

### RANGE & OVENS

Regulators  
Oven thermostats  
Safety pilot valves  
Burner valves  
Manifolds  
Top pilot valves  
12v ignition module  
Burners w/ignition electrode  
Complete ranges (BY APPROVAL ONLY)

### SEATING COMPONENTS

All parts

### WATER HEATER

Complete water heaters  
Inner tanks  
Gas thermostat valves  
Circuit boards  
Gas solenoid valves  
Electric thermostats  
Heating elements  
Pilot assemblies  
Spark probe assemblies  
E.C.O. & T-stat kits  
Thermal cut-offs  
Pressure-Temperature Relief Valves



## COOKING APPLIANCE LIMITED WARRANTY

Atwood Mobile Products warrants to the original owner and subject to the below mentioned conditions, that this product will be free of defects in material or workmanship for a period of two years from the original date of purchase. Atwood's liability hereunder is limited to the replacement of the product, repair of the product, or replacement of the product with a reconditioned product at the discretion of the manufacturer. This warranty is void if the product has been damaged by accident, unreasonable use, neglect, tampering or other causes not arising from defects in material workmanship. This warranty extends to the original owner of the product only and is subject to the following conditions:

1. For two years from the date of the original owner Atwood warrants that this product will be free of defects in material and workmanship with the exceptions noted below. This warranty includes reasonable labor charges required to remove and replace the part. Service calls to the customer's location are not considered part of these charges and are therefore the responsibility of the owner.
2. This warranty does not cover the following items classified as normal maintenance and/or customer damage.
  - a. Damage, discoloration or scratches to porcelain enamel or other finishes from improper use and care.
  - b. adjustment of gas pressure
  - c. cleaning or adjustment of any burners
  - d. cleaning or replacement of burner orifices
  - e. cleaning or adjustment of pilot and thermal bulbs
  - f. damage to glass
  - g. products purchased for commercial, industrial or rental use.
3. In the event of warranty claim the owner must contact in advance either an authorized Atwood Service Station or the Atwood Service Department. Warranty claim service must be performed at an authorized Atwood Service Station (a list will be provided at no charge) or as approved by the Atwood Service Department Atwood Mobile Products, 4750 Hiawatha Drive Rockford, IL 61103-12998 USA. Phone 815-877-5700.
4. Return parts must be shipped to Atwood Mobile Products "prepaid". Credit for shipping costs will be included with the warranty claim. The defective parts become the property of **Atwood Mobile Products and must be returned to the Consumer Service Department, Atwood Mobile Products, Greenbrier Operations, 6320 Kelly Willis Road, Greenbrier, TN 37073 USA.**
5. This warranty applies only if the unit is installed according to the installation instructions provided and complies with local and state codes.
6. The warranty on replacement parts is the unused portion of the original warranty period.
7. Damage or failure resulting from misuse (including failure to seek proper repair service) misapplication, alterations, water damage or freezing are owner's responsibility.
8. Atwood does not assume responsibility for any loss of use of vehicle, loss of time, inconvenience, expense for gasoline, telephone, travel, lodging, loss or damage to personal property or revenues. Some States do not allow the exclusion or limitation of incidental or consequential damages, so the above limitations or exclusions may not apply to you.
9. Any implied warranties are limited to two (2) years. Some States do not allow limitations on how long an implied warranty lasts, so the above limitation may not apply to you. This warranty gives you specific legal rights and you may also have other rights, which may vary, from State to State.
10. Replacement parts purchased outside the original cooking warranty carry a 90 day warranty. This includes the part at no charge and reasonable labor charges to replace it.

This Atwood product is designed for use in recreation vehicles for the purpose as stated in the 'data plate'. Any other use, unless authorized in writing by the Atwood Engineering Department, voids the warranty. Atwood/Wedgewood Vision Products include range/oven, drop-in, slide-in and high pressure stoves. 9/03

## Warranty Procedures

Atwood water heater, furnace, range, hardware or detector warranties can be submitted in one of two ways.

If you are already set up with an owner care program with an OEM, you should submit the faulty part and claim through their system.

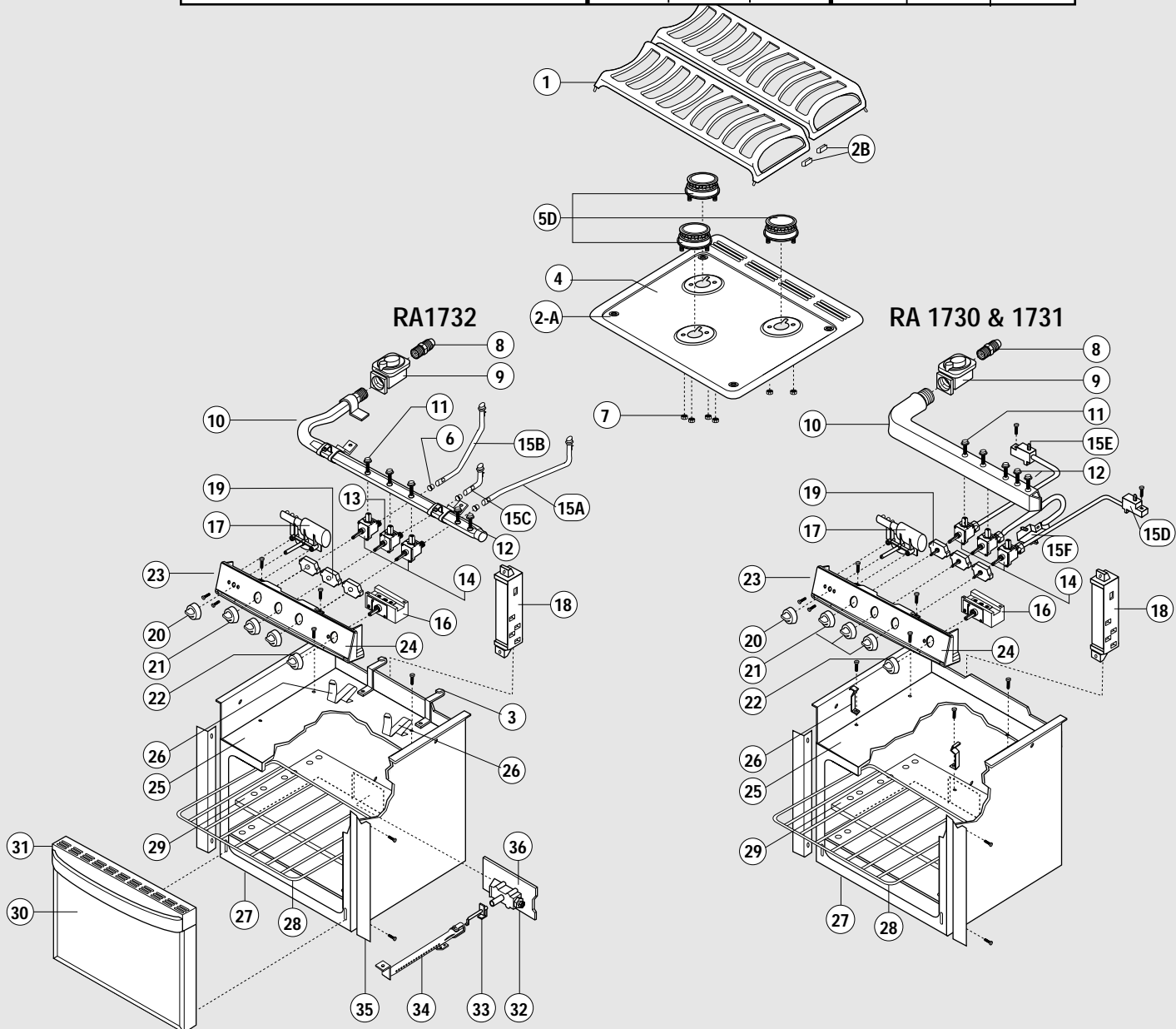
To submit a claim directly through Atwood the following information is required:

1. **Owner's Name and Address.**
2. **Date of Purchase** - obtain from copy of original bill of sale.
3. **Model and Serial Number** - The model and serial number, which is located on every water heater, furnace and range is required on all Atwood appliance claims.
4. **Manufacturer, Model, Year and VIN # of RV.**
5. **Work Performed** - Describe in detail findings of existing problem and corrective measure taken.
6. **Return Parts** - A "MUST RETURN" parts list is attached. Failure to return parts listed will result in denial of your warranty claim.
7. **Return Good Number** - a Return Goods Number (RGN) must accompany all returned parts. This number may be obtained by calling the Atwood Mobile Products Service Department at 1-800-825-4328. The RGN must be clearly marked on the outside of each carton. Failure to do so will result in your shipment being refused at our receiving department.
8. **Return Freight** - Atwood does not accept C.O.D. shipments. Freight to return parts to Atwood should be indicated on your claim or repair order and you will be reimbursed.
9. **Travel Time** - Because our warranty is based on the customers ability to present the unit for service, and in an attempt to maintain our low cost products, reimbursement for mileage, service calls and travel time **WILL NOT BE ALLOWED.**
10. **Payment for Warranty Service** - All parts are replaced at no charge, freight prepaid upon our inspection. Labor, on net 30 accounts is paid by credit memo within 30 days of receipt of parts.
11. **Flat Rate Schedule** - A reasonable flat rate schedule for warranty repairs has been set for each Atwood product and/or parts. Should unusual circumstances take you beyond the standard time allowance, you must have prior approval by contacting the Atwood Mobile Products Service Department at 1-800-825-4328, and press option 5 after the recording.

# RA SERIES RANGE & SLIDE-IN

## Piezo and Electronic Ignition

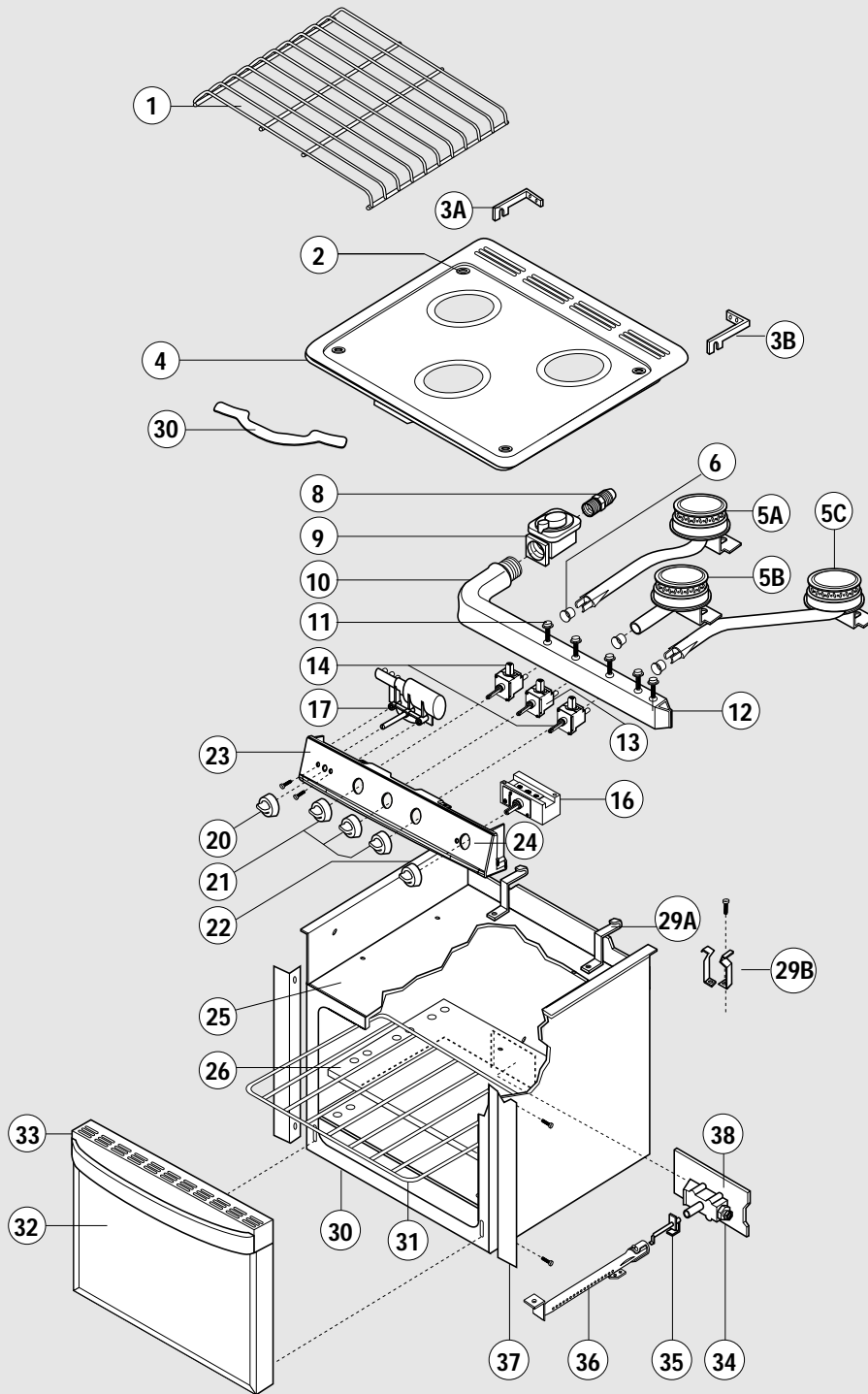
30 DOOR CHART	RA-1732	RA-1731	RA-1730	RA-2132	RA-2131	RA-2130
BLACK PANEL/BLACK HANDLE	51977	51977	51873	51983	51983	51871
WHITE PANEL/BLACK HANDLE	51978	51978	51892	51984	51984	51850
WHITE GLASS-WHITE FRAME/BLACK HANDLE	51982	51982	51851	51988	51988	51849
BLACK GLASS-BLACK FRAME/BLACK HANDLE	51980	51980	51872	51986	51986	51870
WHITE GLASS-BLACK FRAME/BLACK HANDLE	51981	51981		51987	51987	
STAINLESS PANEL/WHITE HANDLE	51951	51951				
DOOR-Glass Insert - Sm BLACK	51881	51881	51881			
DOOR-Glass Insert - Lg BLACK			51882	51882	51882	
DOOR-Glass Insert - Sm WHITE	51883	51883	51883			
DOOR-Glass Insert - Lg WHITE			51884	51884	51884	
DOOR-Panel						
Sm BLACK door style w/frame (NLA use 51581)			51885			
Lg BLACK door style w/frame (NLA use 51583)						51886
Sm WHITE door style w/frame (NLA use 51582)			51887			
Lg WHITE door style w/frame (NLA use 51584)			51888			
Sm BLACK new solid door style no trim	51581	51581				
Lg BLACK new solid door style no trim				51583	51583	
Sm WHITE new solid door style no trim	51582	51582				
Lg WHITE new solid door style no trim				51584	51584	
Sm STAINLESS new solid door style no trim	51578	51578				



# ATWOOD - Oven & Slide-In Cooktop Parts Identification

ITEM	DESCRIPTION	RA-1732	RA-1731	RA-1730	RA-2132	RA-2131	RA-2130	CA-31	CA-30
1	Grate - BLACK	57190	53443	53443	57190	53443	53443	57190	53443
2	Grommet (4)	57190			57190			57190	
2B	Sealed Grate U-Channel	53009			53009			53009	
3	Top Spring Clip (2)	57194			57194			57194	
4	Range Top Assy - WHITE	57114	52634	52634	57114	52634	52634	57114	52634
	Range Top Assy - BLACK	57113	52633	52633	57113	52633	52633	57113	52633
5	Burner, Piezo/Electronic Ignition	57180	56207	56207	57180	56207	56207	57180	56207
	Burner, Piezo/Electronic Ignition BLACK		56325	56325		56325			56325
6	Bushing, Burner (3)	53011			53011			53011	
7	Hex Nut	51004	51004	51004	51004	51004	51004	51004	51004
8	Brass Fitting	52294	52294	52294	52294	52294	52294	52294	52294
9	Pressure Regulator	51062	51062	51062	51062	51062	51062	51062	51062
10	3-Burner Manifold old	NLA							
10	3-Burner Manifold - round	53198	53198	53198	53198	53198	53199	53199	53199
11	Bolt thru Valve	53207	56088	56088	53207	56088	56088	53207	
12	Bolt Oven Thermostat thru Bolt (3)	53208	52125	52125	53208	52125	52125		
13	Valve, Burner - Mini 9000 BTU (1)	53201			53201			53201	
14	Valve, Burner - Mini 65000 BTU (2)	53200			53200			53200	
15A	Burner Tube Assy -RR	57110			57110			57110	
15B	Burner Tube Assy - LR	57109			57109			57109	
15C	Burner Tube Assy - CF	57108			57108			57108	
15	Valve, Orifice Tube Assy-Mini 6500 - RR	NLA USE	53206						
	Valve, Orifice Tube Assy-Mini 6500 - LR	NLA USE	53203						
	Valve, Orifice Tube Assy-Mini 9000 - CF	NLA USE	53202						
15D	Valve, Orifice Tube Assy-Mini 6500 - RR rd mfd		53206	53206		53206	53206		53206
15E	Valve, Orifice Tube Assy-Mini 6500 - LR rd mfd		53203	53203		53203	53203		53203
15F	Valve, Orifice Tube Assy-Mini 9000 - CF rd mfd		53202	53202		53202	53202		53202
N/C	Straight Tube (old design)			52271			52271		
16	Thermostat, oven control	56116	56116	56116	56116	56116	56116		
17	Piezo Ignitor	56096	56096	56096	56096	56096	56096	56096	56096
18	12V Ignition Module	56162	56162	56162	56162	56162	56162	56162	56162
19	Valve Ignition Switch	56163	56163	56163	56163	56163	56163	56163	56163
20	Piezo Knob -BLACK	51344	51344	51344	51344	51344	51344	51344	51344
20	Piezo Knob -WHITE	53223	53223		53223			53223	
20	Burner Knob - BLACK	56148	56148	56148	56148	56148	56148	56148	56148
21	Burner Knob - WHITE	53221	53221	53221	53221	53221	53221	53221	53221
22	Oven Thermostat Knob - BLACK	53907	53907	53907	53907	53907	53907		
22	Oven Thermostat Knob - WHITE	53222	53222	53222	53222	53222	53222		
23	Control Panel - black	52621	52621	52621	52621	52621	52621	52621	52621
	Control Panel -Electric-white	52606	52606	52606	52606	52606	52606		
24	LABEL - Piezo - black	56177	56177	56177	56177	56177	56177	56179	56179
	LABEL - Piezo - white	56181	56181	56181	56181	56181	56181	56183	56183
	LABEL - Electric-black	56176	56176	56178	56176	56176	56178	56178	56178
	LABEL - Electric-white	56180	56180	56182	56180	56180	56182	56182	56182
N/S	Wiring Harness - Electronic Ignition Switches	56164	56164	56164	56164	56164	56164	56164	56164
	Wiring Harness - Electronic Ignition Electrodes	56165	56165	56165	56165	56165	56165	56165	56165
	Wiring Harness - Electronic Ignition Ground	56184	56184	56184	56184	56184	56184	56184	56184
	Wiring Lead - Piezo	56061	56061	56061	56061	56061	56061	56061	56061
25	Burner Box	51687	51687	51684	51687	51687	51684	51687	51684
26	Burner Clips	57107 (3)	51111 (2)	51111 (2)	57107 (3)	51111 (2)	51111 (2)	57107 (3)	51111 (2)
27	Oven Can	51969	51969	51902	51970	51970	51901		
28	Oven rack	51069	51069	51069	51069	51069	51069		
29	Oven shelf	51670	51670	51670	51670	51670	51670		
30	DOOR assembly - see DOOR CHART (left)								
31	Oven Door Handle - BLACK	51124	51124	51124	51124	51124	51124		
31	Oven Door Handle - WHITE	51126	51126	51126	51126	51126	51126		
32	Safety Valve	56120	56120	56120	56120	56120	56120		
33	Pilot Assembly	56121	56121	56121	56121	56121	56121		
34	Burner, oven	56123	56123	56123	56123	56123	56123		
35	Oven Can Trim	51975	51975	51975	51976	51976	51976		
36	Safety Valve Plate	56139	56139	56139	56139	56139	56139		
N/S	KIT - Door Seal	51060	51060	51060	51060	51061	51061		
N/S	KIT - Gas Tube Kit	51067	51067	51067	51068	51068	51068		
N/S	Door Spring - 17"			51404					
N/S	Door Spring - 21"						51405		
N/S	Hinge Assy	51972	51972		51991	51991			
N/S	Towel Bar	53205	53205	53205	53205	53205	53205		
N/S Not shown in illustration									

# RV Series Range & Slide-In Match Light and Piezo

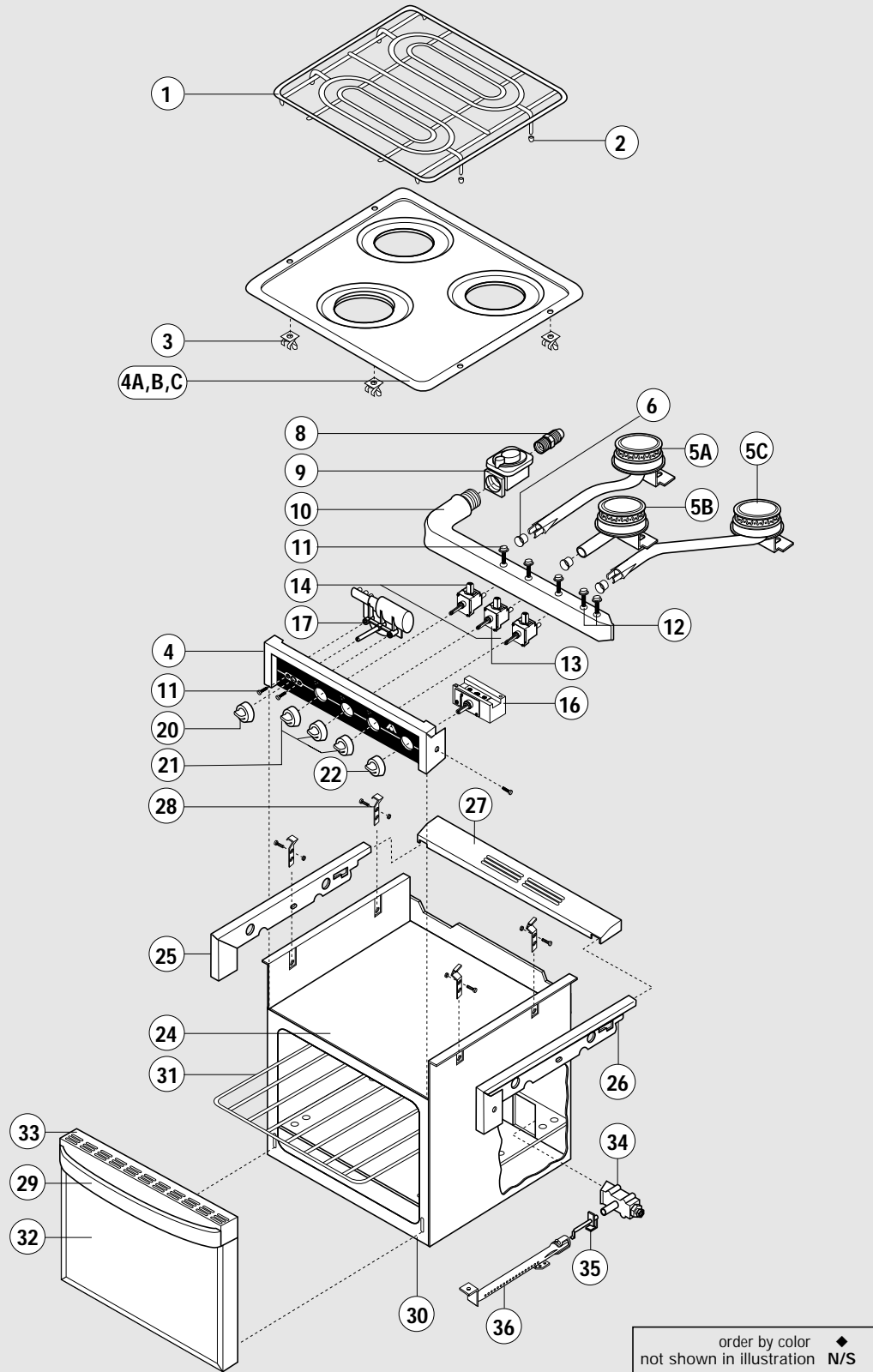


order by color ◆  
not shown in illustration N/S

## WEDGEWOOD VISION - Oven & Slide-In Cooktop Parts Identification

ITEM	DESCRIPTION	RV-1732	RV-1731	RV-2132	RV-2131	CV-32	CV-30
1	Grate - BLACK	56272	5672	56272	56272	56272	56272
2	Grommet (total 4-1 each corner)	53009	53009	53009	53009	53009	53009
3A	Top Bracket - left		51131		51131		51131
3B	Top Bracket - right		51130		51130		51130
4	Range Top Assy - WHITE	52007	52635	52007	52635	52007	52685
	Range Top Assy - BLACK	52008	52636	52008	52636	52008	52636
	Range Top Assy - BISQUE	52009	52638	52009	52638	52009	52638
	Range Top Assy - STAINLESS STEEL	56742		56742		56742	
5-A	Burner, Piezo - LR	56156	56156	56156	56156	56156	56156
5-A	Burner, Matchlit - LR	56159	56159	56159	56159	56159	56159
5-B	Burner, Piezo - CF	56155	56155	56155	56155	56155	56155
5-B	Burner, Matchlit - CF	56158	56158	56158	56158	56158	56158
5-C	Burner, Piezo - RR	56154	56154	56154	56154	56154	56154
5-C	Burner, Matchlit - RR	56157	56157	56157	56157	56157	56157
6	Bushing, Burner	53011	53011	53011	53011	53011	53011
8	Brass Fitting	52294	52294	52294	52294	52294	52294
9	Pressure Regulator	51062	51062	51062	51062	51062	51062
10	3-Burner Manifold	50158	50158	50158	50158	50159	50159
NS	3-Burner Manifold - round	53198		53198		53199	53199
11	Bolt thru Valve	56088	56088	56088	56088	56088	56088
12	Bolt Oven Thermostat thru Bolt (2)	56125	56125	56125	56125		
13	Valve, Burner-Mini 9000 BTU (1) NLA						
14	Valve, Burner-Mini 6500 BTU (2) NLA						
NS	Valve, Burner-Mini 9000 BTU (1)	53201	53201	53201	53201	53201	53201
NS	Valve, Burner-Mini 6500 BTU (2)	53200	53200	53200	53200	53200	53200
16	Thermostat, oven control	56116	56116	56116	56116		
17	Piezo Ignitor	56096	56096	56096	56096	56096	56096
20	Piezo Knob -BLACK	51344	51344	51344	51344	51344	51344
20	Piezo Knob -WHITE	53223		53223			
21	Burner Knob - BLACK	56148	56148	56148	56148	56148	56148
21	Burner Knob - WHITE	53221		53221			
22	Oven Thermostat Knob - BLACK	53097	53097	53097	53097		
22	Oven Thermostat Knob - WHITE	53222		53222			
23	Control Panel Assy - BLACK	52621	52621	52621	52621	52621	52621
	Control Panel Assy - WHITE	52606	52606	52606	52606	52606	52606
24	LABEL - Piezo - BLACK	56219	56219	56219	56219	56223	56223
	LABEL - Piezo - WHITE	56224	56224	56224	56224		
	LABEL - Matchlit - BLACK	56218	56218	56218	56218	56220	56220
25	Burner Box	51687	51687	51687	51687	51687	51687
26	Oven shelf	51670		51670			
27	Oven Can	51969	51969	51970	51970		
29A	Top Spring Clip	51035		51035		51035	
29B	Top Locating Clips (4)		51111		51111		51111
30	Top Hold Down Clip		53057		53057		53057
31	Oven rack	51069	51069	51069	51069		
30	DOOR asmbly w/handle - BLACK STEEL-BLACK PANEL/BLACK HANDLE	51977	51977	51983	51983		
	DOOR asmbly w/handle - WHITE STEEL-WHITE PANEL/BLACK HANDLE	51978	51978	51984	51984		
	DOOR asmbly w/handle - BLACK GLASS-BLACK FRAME/BLACK HANDLE	51980	51980	51986	51986		
	DOOR asmbly w/handle - WHITE GLASS-BLACK FRAME/BLACK HANDLE	51981	51981	51987	51987		
	DOOR asmbly w/handle - WHITE GLASS-WHITE FRAME/BLACK HANDLE	51982	51851	51988	51849		
	DOOR asmbly w/handle - WHITE STEEL-WHITE PANEL/WHITE HANDLE	51957					
	DOOR asmbly w/handle - ?-STAINLESS ?/BLACK HANDLE	51958					
	DOOR-Glass Insert - Sm BLACK	51881	51881				
	DOOR-Glass Insert - Lg BLACK			51882	51882		
	DOOR-Glass Insert - Sm WHITE	51883	51883				
	DOOR-Glass Insert - Lg WHITE			51884	51884		
	DOOR-Panel - Sm BLACK door style with frame (NLA use 51581)	51885	51885				
	DOOR-Panel - Lg BLACK door style with frame (NLA use 51583)			51886	51886		
	DOOR-Panel - Sm WHITE door style with frame (NLA use 51582)	51887	51887				
	DOOR-Panel - Lg WHITE door style with frame (NLA use 51584)			51888	51888		
	DOOR-Panel - Sm BLACK new solid door style no frame	51581					
	DOOR-Panel - Lg BLACK new solid door style no frame			51583			
	DOOR-Panel - Sm WHITE new solid door style no frame	51582					
	DOOR-Panel - Lg WHITE new solid door style no frame			51584			
	DOOR-Panel - Sm STAINLESS new solid door style no frame	51578					
33	Oven Door Handle - BLACK	51124	51124	51124	51124		
33	Oven Door Handle - WHITE	51126		51126			
34	Safety Valve	56120	56120	56120	56120		
35	Pilot Assembly	56121	56121	56121	56121		
36	Burner, oven	56123	56123	56123	56123		
37	Oven Can Trim	51975	51975	51976	51976		
38	Safety Valve Plate	56139	56139	56139	56139		
N/S	Wiring Lead - Piezo	56097	56097	56097	56907	56097	56907
N/S	KIT - Door Seal	51060	51060	51061	51061		
N/S	KIT - Gas Tube Kit	51067	51067	51068	51068		
N/S	Hinge Assy	51972	51972	51991	51991		
N/S	U Channel Edge Guard	53218	53218	53218	53218	53218	53218

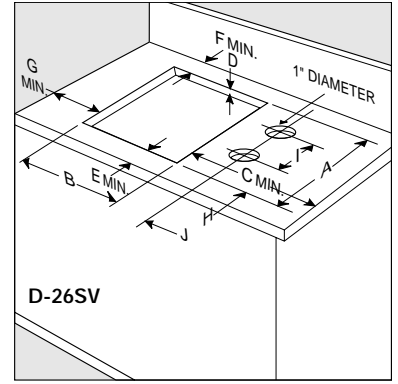
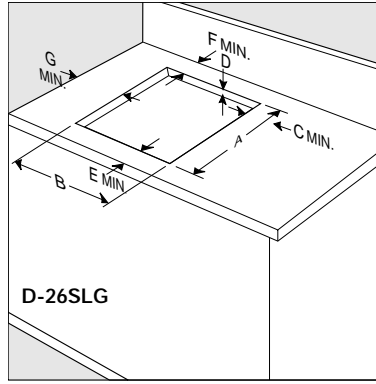
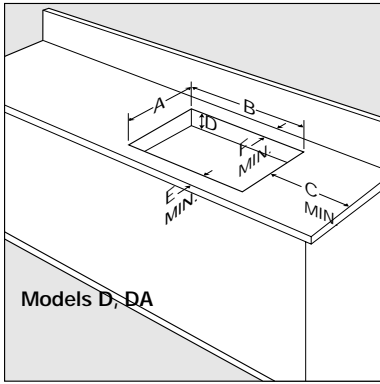
# WEDGEWOOD Range & Slide-In Match Light and Piezo



## WEDGEWOOD -Oven & Slide-In Cooktop Parts Identification

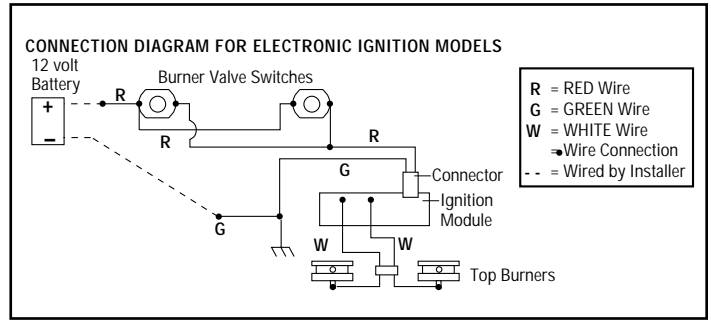
	WEDGEWOOD - DESCRIPTION	RW-1731	RW-1730	RW-2131	RW-2130	CW-30
1	Grate (2 hole) - BLACK	56271	56271	56271	56271	56271
2	Grate Boot	53008	53008	53008	53008	53008
3	Grate Clip	56150	56150	56150	56150	56150
4	Range Top (2 hole) - WHITE	53584	53584	53584	53584	53584
	Range Top (2 hole) - BLACK	53583	53583	53583	53583	53583
	Range Top (2 hole) - ALMOND	53582	53582	53582	53582	53582
5-A	Burner, Piezo - left rear	56066	56066	56066	56066	56066
5-A	Burner, Matchlit - left rear	56069	56069	56069	56069	56069
5-B	Burner, Piezo - center front	56068	56068	56068	56068	56068
5-B	Burner, Matchlit - center front	56071	56071	56071	56071	56071
5-C	Burner, Piezo - right rear	56067	56067	56067	56067	56067
5-C	Burner, Matchlit - right rear	56070	56070	56070	56070	56070
6	Bushing, Burner	53011	53011	53011	53011	53011
8	Brass Fitting	52294	52294	52294	52294	52294
9	Pressure Regulator	51062	51062	51062	51062	51062
10	3-Burner Manifold	56160	56160	56160	56160	56072
11	Valve thru Bolt	56088	56088	56088	56088	56088
12	Bolt Oven Thermostat thru Bolt (2)	56125	56125	56125	56125	
13	Valve, Burner-Mini 9000 BTU (1)	53201	53201	53201	53201	53201
14	Valve, Burner-Mini 6500 BTU (2)	53200	53200	53200	53200	53200
16	Thermostat, oven control	56114	56114	56114	56114	
17	Piezo Ignitor	56096	56096	56096	56096	56096
20	KNOB - Piezo -BLACK	51344	51344	51344	51344	51344
21	KNOB - Burner - BLACK	56148	56148	56148	56148	56148
22	KNOB - Oven Thermostat - BLACK	53097	53097	53097	53097	
24	Burner Box	51684	51684	51685	51684	51684
??	Manifold Cover	53110	53110	53110	53110	53110
	LABEL - without Piezo	56101	56101	56101	56101	56104
	LABEL - with Piezo	56103	56103	56103	56103	56102
25	TRIM - Left hand - BLACK	53133	53133	53133	53133	53133
26	TRIM - Right hand - BLACK	53134	53134	53134	53134	53134
27	TRIM - Vent - BLACK	53525	53525	53525	53525	53525
28	Top Retaining Clip (4)	51410	51410	51410	51410	51410
30	Oven Can	51969	51902	51970	51901	
31	Oven rack	51069	51069	51069	51069	
32	DOOR assembly includes handle - BLACK steel	51977	51873	51983	51871	
	DOOR assembly includes handle - WHITE steel	51978	51850	51984	51850	
	DOOR assembly includes handle - ALMOND steel	51979	51894	51985	51893	
	DOOR assembly includes handle - WHITE glass			51987		
	DOOR assembly includes handle - BLACK glass	51980	51872	51986	51870	
	DOOR -Glass Insert - Sm BLACK	51881	51881			
	DOOR -Glass Insert - Lg BLACK			51882	51882	
	DOOR -Glass Insert - Sm WHITE	51883	51883			
	DOOR -Glass Insert - Lg WHITE			51884	51884	
	DOOR -Panel - Sm BLACK	51885	51885			
	DOOR -Panel - Lg BLACK			51886	51886	
	DOOR -Panel - Sm WHITE	51887	51887			
	DOOR -Panel - Lg WHITE			51888	51888	
33	Oven Door Handle - BLACK	51124	51124	51124	51124	
34	Safety Valve	56120	56120	56120	56120	
35	Pilot Assembly	56121	56121	56121	56121	
36	Burner, oven	56123	56123	56123	56123	
37	TRIM - Oven Can	51975		51976		
N/S	Enamel Door Liner	51989	51808	51990	51807	
N/S	Wiring Lead - Piezo	56097	56097	56097	56097	56097
N/S	KIT - Door Seal	51061	51060	51061	51061	
N/S	KIT - Gas Tube Kit	51067	51067	51068	51068	

# CABINET & COUNTER CUT OUT CHART

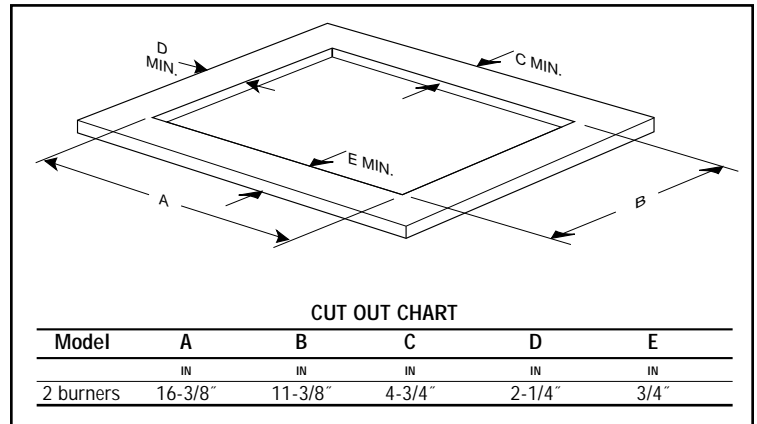


CUT OUT DIMENSIONS	A	B	C	D	E	F	G	H	I	J
<i>D, DA Models - 2 Burners</i>	11-5/8"	16-3/8"	2-1/4" ◆	3-1/8" ▶	3/4" ◆	4-3/4" ◆				
<i>D, DA Models - 3 Burners</i>	16-1/16"	19-3/16"	2-1/2" ◆	3-1/8" ▶	2-3/8" ◆	4" ◆				
<i>D-26SLG</i>	19"	14-1/8"	5/8" ◆	4-1/2" ▶	3/4" ◆	2-3/4" ◆	3"			
<i>D-26SV</i>	11-5/8"	16-3/8"	4-3/8" ◆	3-1/8" ▶	1" ◆	1-1/8" ◆	4-1/4"	3-1/4"	4-3/4"	2-1/4"

◆ Minimum dimension   ▶ Overall depth of cooktop

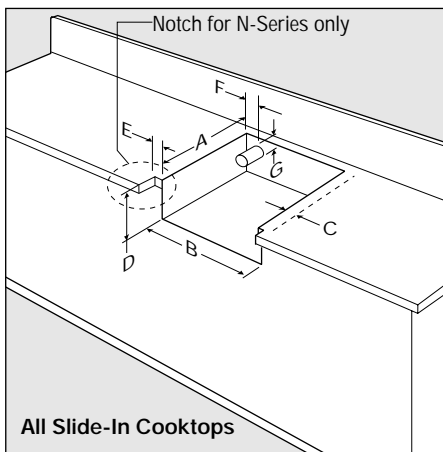
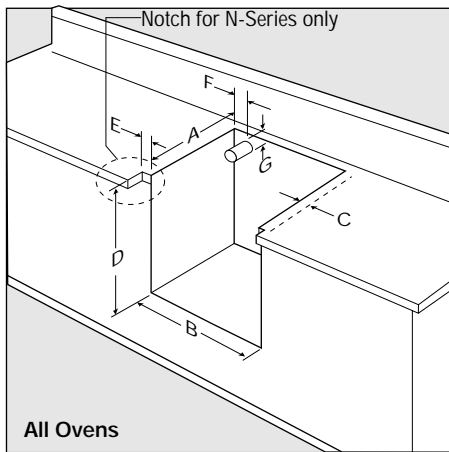


## 2- Burner LP Gas High Pressure Stove

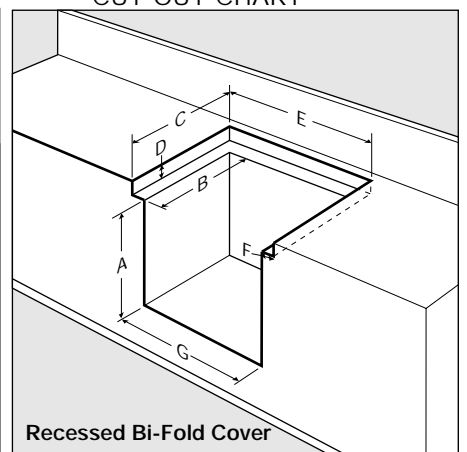




### CABINET & COUNTER CUT OUT CHART



### RECESSED BI-FOLD COVER CUT OUT CHART



#### CABINET & COUNTER CUT OUT CHART - TABLEAU DE DECOUPE DES ELEMENTS ET DU COMPTOIR

CUT OUT DIMENSIONS - DIMENSIONS DE LA DECOUPE	A	B	C	D	E	F	G
17" RV & RA Ranges Série RA 17"	17-3/4"	20-1/4"	1-3/4" †	16"	0"	1-3/4"	1-1/2"
	451 mm	514 mm	45 mm †	406 mm	0mm	45 mm	38 mm
21" RV & RA Ranges Série RA 21"	17-3/4"	20-1/4"	1-3/4" †	20"	0"	1-3/4"	1-1/2"
	451 mm	514 mm	45 mm †	508 mm	0mm	45 mm	38 mm
Slide-In CV & CA Série CA à encastrement	17-3/4"*	20-1/4"	1-3/4" †	3"	0"	1-3/4"	1-1/2"
	451 mm	514 mm	45 mm †	76 mm	0mm	45 mm	38 mm
17" RV & RA-N Series Série RW 43cm RW et RA-N	17-3/4"	20-1/4"	1-3/4" †	16"	7/16"	1-3/4"	1-1/2"
	451 mm	514 mm	45 mm †	406 mm	11 mm	45 mm	38 mm
21" RV & RA-N Series Série RW 53cm RW et RA-N	17-3/4"	20-1/4"	1-3/4" †	20"	7/16"	1-3/4"	1-1/2"
	451 mm	514 mm	45 mm †	508 mm	11 mm	45 mm	38 mm
Slide-In CV & CA-N Series Série CW à encastrement CW et CA-N	17-3/4"	20-1/4"	1-3/4" †	3"	7/16"	1-3/4"	1-1/2"
	451 mm	514 mm	45 mm †	76 mm	11 mm	45 mm	38 mm

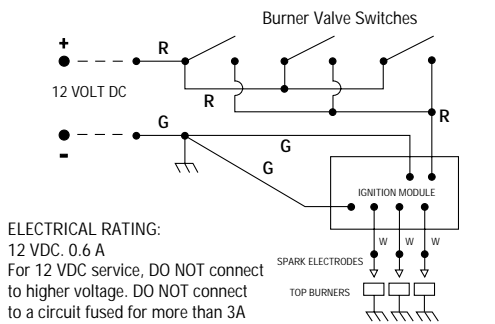
† Minimum clearance to combustible materials. (typical two (2) sides and back)  
 \* The overall unit depth for CA models with Electronic Ignition is 18-1/4" from cabinet face to back wall of cutout below counter.  
 † Éloignement minimum des matériaux combustibles. (Typiquement sur les deux côtés et à l'arrière)  
 \* La profondeur totale des modèles CA à allumage électronique est de (464 mm). Ces dimensions sont celle de la découpe entre la façade de l'élément de cuisine et la paroi arrière du comptoir.

NOTE: Maximum countertop overhang = 3/4" NOTE: rebord maximum du comptoir = 19 mm

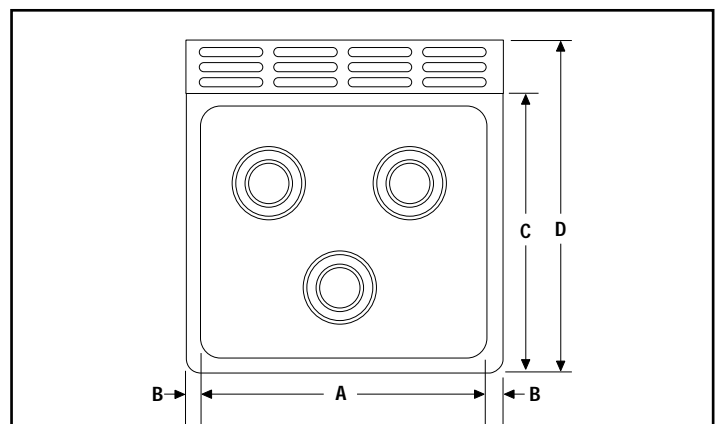
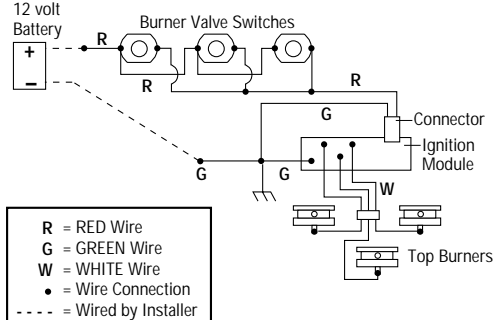
#### RECESSED BI-FOLD COVER - COUVERCLE PLIANT EN DEUX PARTIES ENCASTRE

LAMINATE MATERIAL MATÉRIAU STRATIFIÉ	MPD PART #	RV & RA OVEN		CV & CA SLIDE-IN	CUT OUT DIMENSIONS - DIMENSIONS DE LA DECOUPE					
		17"	21"		A	B	C	D	E	F
1/4" 6 mm	56397	16.0"	20.0"	3.0"	17.75"	20.0"	2.31"	24.5"	2.13"	20.25"
		406 mm	508 mm	76 mm	451 mm	508 mm	59 mm	622 mm	54 mm	514 mm
1/32" .8 mm	56391	16.0"	20.0"	3.0"	17.75"	20.0"	1.84"	24.5"	2.13	20.25"
		406 mm	508 mm	76 mm	451 mm	508 mm	47 mm	622 mm	54 mm	514 mm

#### SCHEMATIC DIAGRAM FOR ELECTRONIC IGNITION MODELS



#### CONNECTION DIAGRAM FOR ELECTRONIC IGNITION MODELS



#### RANGE HOOD MOUNTING INFORMATION

	A	B	C	D
Range Top	19-3/8"			
Mounting Trim		3/4"		
Range Top Depth			15-7/8"	
Range Top plus Oven Vent				19-9/16"



**Atwood Mobile Products**

4750 Hiawatha Drive • Rockford, IL 61103-1298

PHONE: 815•877•5700 FAX: 815•877•7469

INTERNET: <http://www.atwoodmobile.com>

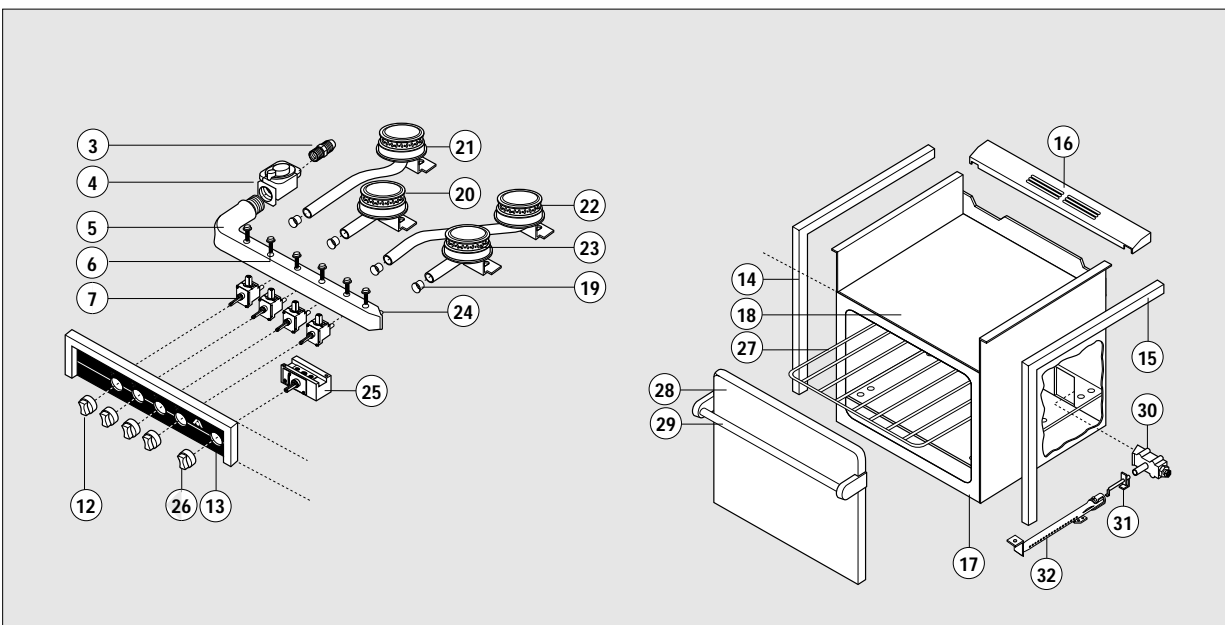
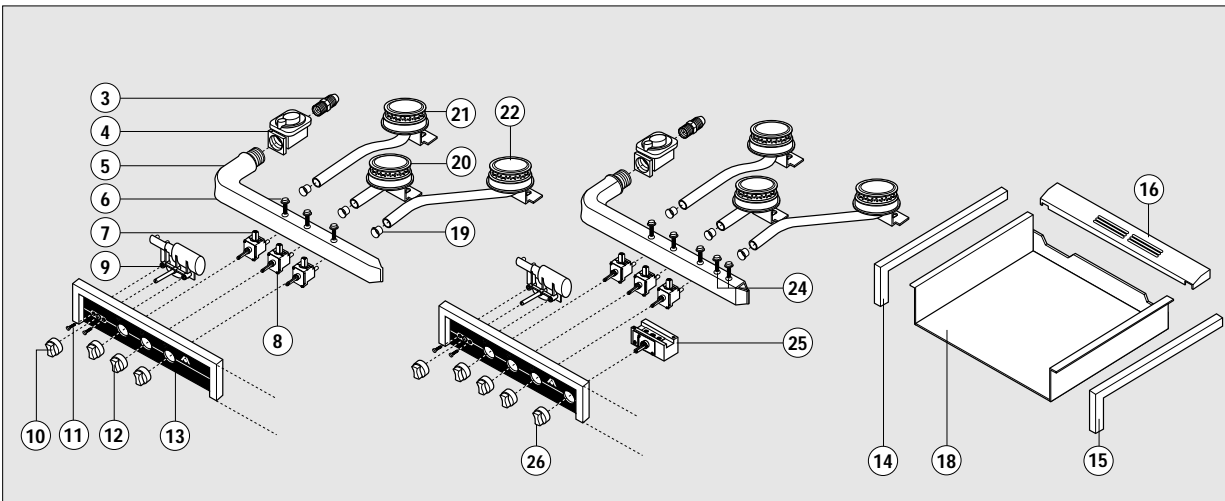
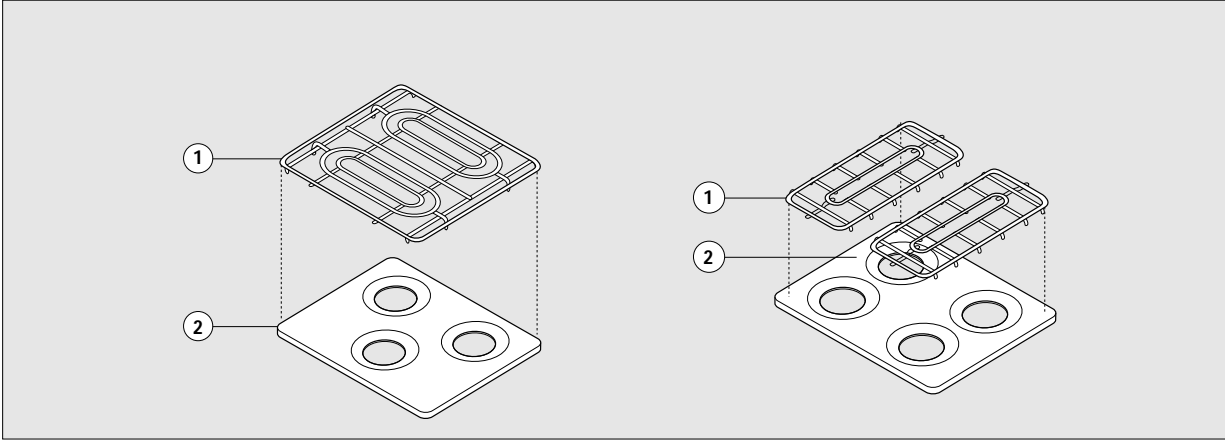
C-37, C-38

R-1737, R-1738, R-1746

R-2137, R-2138, R-2146

**PART REFERENCE**

Effective: 10/1/96



# WEDGEWOOD - Oven & Slide-In Cooktop Part Reference

ITEM	C-37	C-38	R-1737	R-1738	R-1746	R-2137	R-2138	R-2146	DESCRIPTION
1	56271	56271	56271		53007 (2)		56271	53007 (2)	Grate (1-piece)
2	53582	53582	53582	53582		53582	53582		*Range, Top (2 hole) ALMOND
2	53583	53583	53583	53583			53583		*Range, Top (2 hole) BLACK
2	53584	53584	53584	53584	53584	53584	53584		*Range, Top (2 hole) WHITE
3	52294	52294	52294	52294	52294	52294	52294	52294	Fitting, Brass
4	51062	51062	51062	51062	51062	51062	51062	51062	Pressure Regulator
5	56072	56072	56160	56160		56160			3-Burner Manifold
6	56088	56088	56088	56088	56091	56088	56088	56091	Valve thru Bolt
	53200	53200	53200	53200		53200	53200		Valve, Burner-MINI 6500 BTU (2)
8	53201	53201	53201	53201		53201	53201		Valve, Burner-MINI 9000 BTU (1)
9	56096	56096	56096	56096		56096	56096		Piezo Igniter
10	51344	51344	51344	51344		51344	51344		Piezo Knob
11	51337	51337	51337	51337		51337	51337		#10 x 3/8" Screw (2)
12	56148	56148	56148	56148	51056 (2)	56148	56148	51056 (2)	Knob, burner
N/S	56097	56097	56097	56097		56097	56097		Wire Assembly (3)
13	56106	56106	56108	56108	56115	56108	56108	56115	Control Panel Assembly Matchlit
	56105	56105	56107	56107	56115	56107	56107	56115	Control Panel Assy w/ piezo
14	53019	53019	53021	53021	53021	53023	53023	53023	Trim, left hand top & side (blk)
15	53020	53020	53022	53022	53022	53024	53024	53024	Trim, right hand top & side (blk)
16	53525	53525	53525	53525	53525	53525	53525	53525	Trim, vent (black)
17			53526	53526	53526	53526	53526	53526	Trim, bottom (black)
18	51685	51685	51684	51684	51684	51684	51684	51684	Burner Box
19	53011	53011	53011	53011	53011	53011	53011	53011	Burner Bushing
20	56071	56071	56071	56071		56071	56071		Burner, ctr (hi output) Matchlit
	56068	56068	56068	56068		56068	56068		Burner, ctr (hi output) w/Electrode
					56257			56257	Burner, left front
21	56069	56069	56069	56069	56259	56069	56069	56259	Burner, left rear Matchlit
	56066	56066	56066	56066		56066	56066		Burner, left rear w/ electrode
22	56070	56070	56070	56070	56260	56070	56070	56260	Burner, right rear Matchlit
	56067	56067	56067	56067		56067	56067		Burner, right rear w/ electrode
23					56258			56258	Burner, right front
24			52120	56125	56125	52120	56125	56125	Screw, Thermostat (2)
25			NA	6114		NA	56114		Thermostat, oven control
26			53001	56171		53001	56171		Knob, oven thermostat
27			51069	51069	51069	51069	51069	51069	Oven rack
						NO LONGER AVAILABLE			Door assembly
						NO LONGER AVAILABLE			Enamel door liner w/window
						NO LONGER AVAILABLE			Enamel door liner
						NO LONGER AVAILABLE			Solid door panel
N/S			53425	53425	53425	53426	53426	53426	Insert, black glass
						NO LONGER AVAILABLE			Insert, black glass w/wndow
N/S			51421	51421	51421	51421	51421	51421	Window, inner assembly
29			51112	51112	51112	51112	51112	51112	Oven Door Handle
30				56120	56120		56120	56120	Safety Valve
31			51065	56121	56121	51065	56121	56121	Pilot Assembly
			51063			51063			Pilot Assembly-MSC valve
32			52018	56123	56123	52018	56123	56123	Burner, oven
N/S			51060	51060	51060	51061	51061	51061	KIT - Door Seal
N/S		51071	51071	51071	51071	51071	51071	51071	KIT-Designer Acc.
N/S			51067	51068	51067	51068	51068	51068	KIT - Gas Tube Kit
N/S	56150	56150	56150	56150	50005	56150	56150	50005	Grate Clip (2)
N/S	53008	53008	53008	53008	53008	53008	53008	53008	Grate Boots
N/S	51129		51128	51127		51128	51127		◆Knob Kits

\*When replacing top you MUST replace grate

◆When replacing Burner Knobs use Knob Kit

Wedgewood - Range & Cooktops  
 PART REFERENCE  
 SEPTEMBER 2003

	R-1730	R-1735	R-1736	R-2136	R-2140	R-2145	C-30	C-35	C-36	C-40	C-45
<b>Grates</b>											
51007 Tension	X				X		X			X	
53006 Top, single		X						X			
53007 Designer, Dual		X			X	X		X		X	X
53050 Top (2)	No longer available (use 56271)										
56271 Hi BTU one piece (1) 2 hole			X	X					X		
<b>Flash Tubes</b>											
51089 Top Lighter Kit	No longer available										
includes center cluster & gas supply tube											
51216 Flash Tube (long) Piezo	X	X			X	X	X	X		X	X
51245 Flash Tube			X	X					X		
51088 Top Lighter Kit	No longer available										
51089 Top Lighter Kit	No longer available										
<b>Burner</b>											
51235 Burner, RIGHT REAR	No longer available										
51243 Burner, RIGHT REAR	No longer available										
53070 Burner, RIGHT REAR	No longer available										
51233 Burner, RIGHT FRONT	No longer available										
51241 Burner, RIGHT FRONT	No longer available										
51233 Burner, CENTER FRONT	No longer available										
51234 Burner, LEFT REAR	No longer available										
51242 Burner, LEFT REAR	No longer available										
53068 Burner, LEFT REAR	No longer available										
51232 Burner, LEFT FRONT	No longer available										
51240 Burner, LEFT FRONT	No longer available										
51244 Burner, CENTER FRONT	No longer available										
53069 Burner, CENTER (high output)			X	X							
52018 Burner, OVEN	X	X	X	X	X	X					
<b>Air Shutter</b>											
51208 Air Shutter			X	X		X	X	X	X	X	X
<b>Extreme Pressure Regulator</b>											
51062 Extreme Pressure Regulator Kit X	X	X	X	X	X	X		X	X		X
52154 Extreme Pressure Regulator	No longer available (use 51062)										
<b>Manifold - Robertshaw</b>											
52125 3 burner manifold	No longer available										
52126 3 burner manifold, silver square R.S.	No longer available										
53049 3 burner manifold, silver square R.S.	No longer available										
52284 4 burner manifold, black square R.S.	No longer available										
<b>Burner Valves</b>											
51096 valve	No longer available										
52123 valve	No longer available										
<b>Supply Valves</b>											
51066 Top Pilot Valve Kit		X				X		X		X	X
52282 Top Lighter	No longer available (use 51066)										
53014 Rear Valve			X	X			X				
53047 High Output Valve			X	X			X				

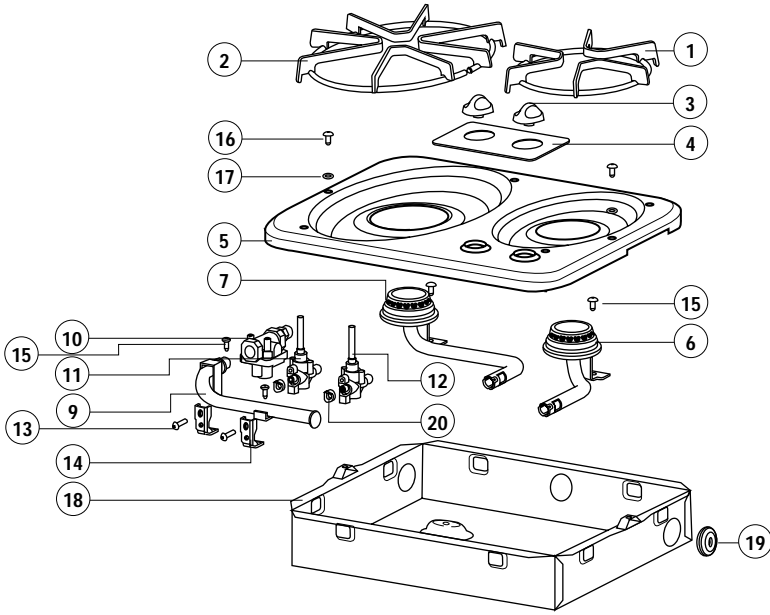
**Wedgewood - Range & Cooktops**  
**PART REFERENCE**  
 SEPTEMBER 2003

	R-1730	R-1735	R-1736	R-2136	R-2140	R-2145	C-30	C-35	C-36	C-40	C-45
<b>Safety Valve</b>											
51063 Safety Valve Kit	No longer available										
51177 Safety Valve	No longer available										
<b>High Output Spark Igniter Assembly</b>											
53078 High Output Spark Igniter Assembly	No longer available										
<b>Piezo</b>											
52279 Piezo Push Button		X	X	X		X	X	X		X	X
<b>Thermostat</b>											
51095 Oven control (fits black square manifold must also order 51059 knob)	No longer available										
52122 Oven control (fits grey manifold)	No longer available										
<b>Trim</b>											
53021 Left Hand, top & side - black	No longer available										
53023 Left Hand, top & side - black	No longer available										
53523 Left Hand, top & side - black	No longer available										
53022 Right Hand, top & side - black	No longer available										
53024 Right Hand, top & side - black	No longer available										
53524 Right Hand, top & side	No longer available										
53025 Vent, black	X	X		X	X	X					
53525 Vent, black			X								
53526 Bottom, black	X	X	X	X	X	X					
53668 Bottom	No longer available										
<b>Manifold Cover</b>											
53072 Manifold Cover, black	No longer available										
53553 Manifold Cover, black	No longer available										
53556 Manifold Cover, black	No longer available										
<b>Burner Box</b>											
51684 Burner Box	X	X	X	X	X	X					
51685 Burner Box									X	X	X
<b>Oven Rack</b>											
51069 Oven Rack	X	X	X	X	X	X					
<b>Shelf</b>											
51657 Oven Bottom	No longer available										
<b>Pilot Assembly</b>											
51065 Oven	X	X	X	X	X	X					
52242 Oven	While Supply lasts (use 51065)										
<b>Knobs</b>											
51056 Burner - package of 2	X	X	X	X	X	X		X	X	X	X
51057 Thermostat Knob	X	X	X	X	X	X					
<b>Kits</b>											
51076 3-Burner Igniter Kit	No longer available										
51077 4-Burner Igniter Kit	No longer available										
51067 Gas Tube Kit - 17"	X	X									
51068 Gas Tube Kit - 21"					X	X					
<b>Grate Boots &amp; Clips</b>											
53160 Grate Boots & Clips			X	X					X		

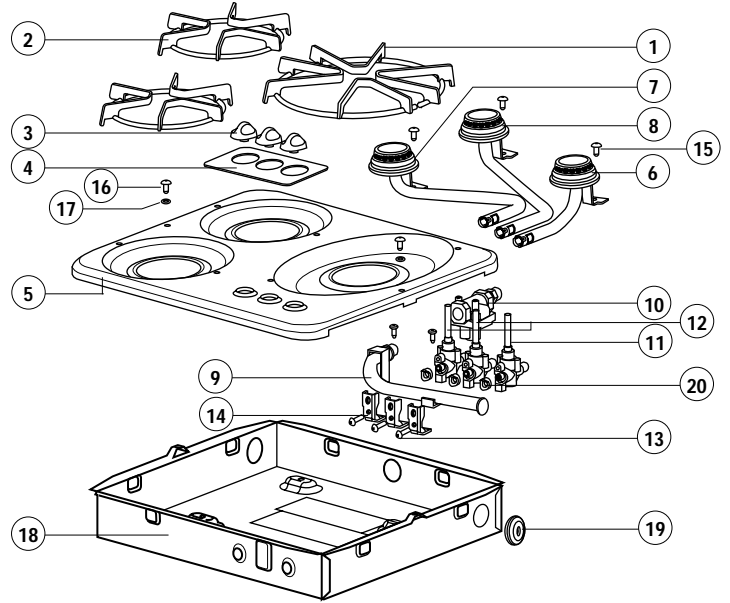
**Wedgewood - Range & Cooktops**  
**PART REFERENCE**  
**SEPTEMBER 2003**

	R-1730	R-1735	R-1736	R-2136	R-2140	R-2145	C-30	C-35	C-36	C-40	C-45
<b>Door &amp; Door Parts</b>											
XXXXX Door Assembly	No longer available										
XXXXX Door Assembly, black glass	No longer available										
XXXXX Handle, black glass doors	No longer available										
XXXXX Solid door panel	No longer available										
51112 Handle, solid doors	X	X	X	X	X	X					
53087 Handle, black glass doors	No longer available										
53605 Enamel door liner w/window	No longer available										
53611 Enamel door liner w/window	No longer available										
53612 Enamel door liner	No longer available										
53655 Solid door handle	No longer available										
53663 Solid door handle	No longer available										
53425 Insert, black glass	X	X	X								
53426 Insert, black glass				X	X	X					
53445 Insert black glass w/window	No longer available										
53446 Insert black glass w/window	No longer available										
51421 Window, inner assembly			X	X	X	X					
51060 Door seal, sides	X	X	X								
51061 Door seal, sides				X	X	X					
<b>Range Tops</b>											
*53582 Top - ALMOND	No longer available										
*53583 Top - BLACK 2 hole	X		X	X							
*53584 Top - WHITE 2 hole	X		X	X							
* When replacing top you must also replace grate.											

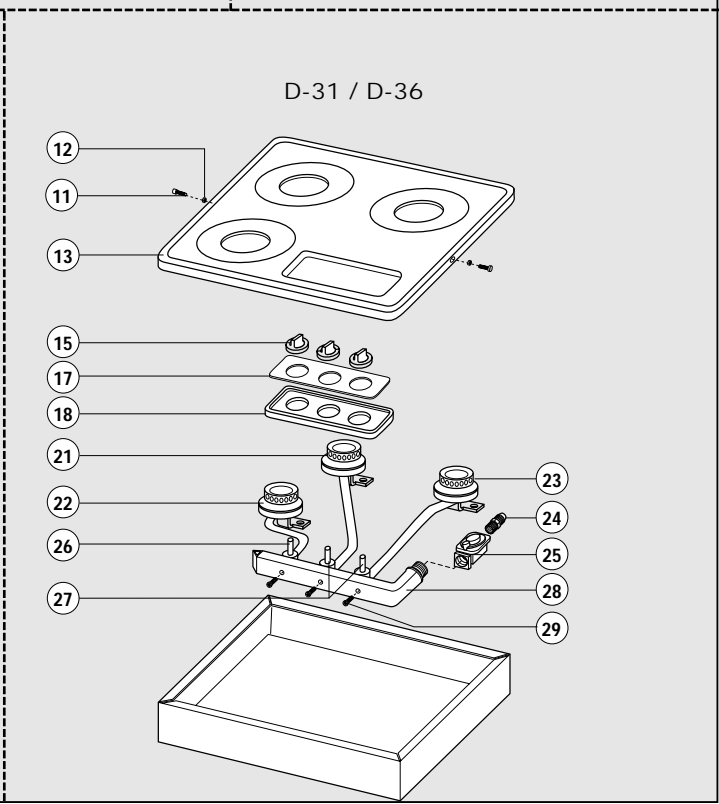
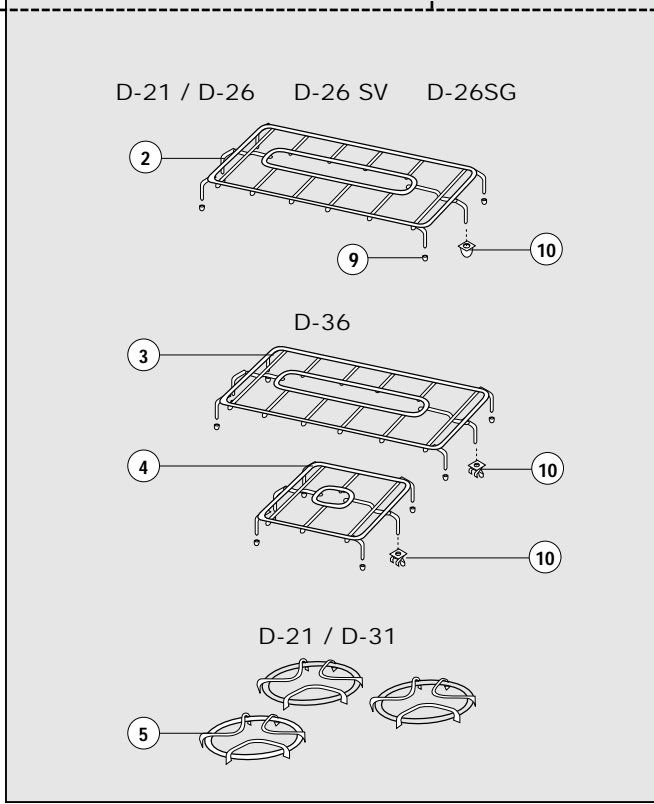
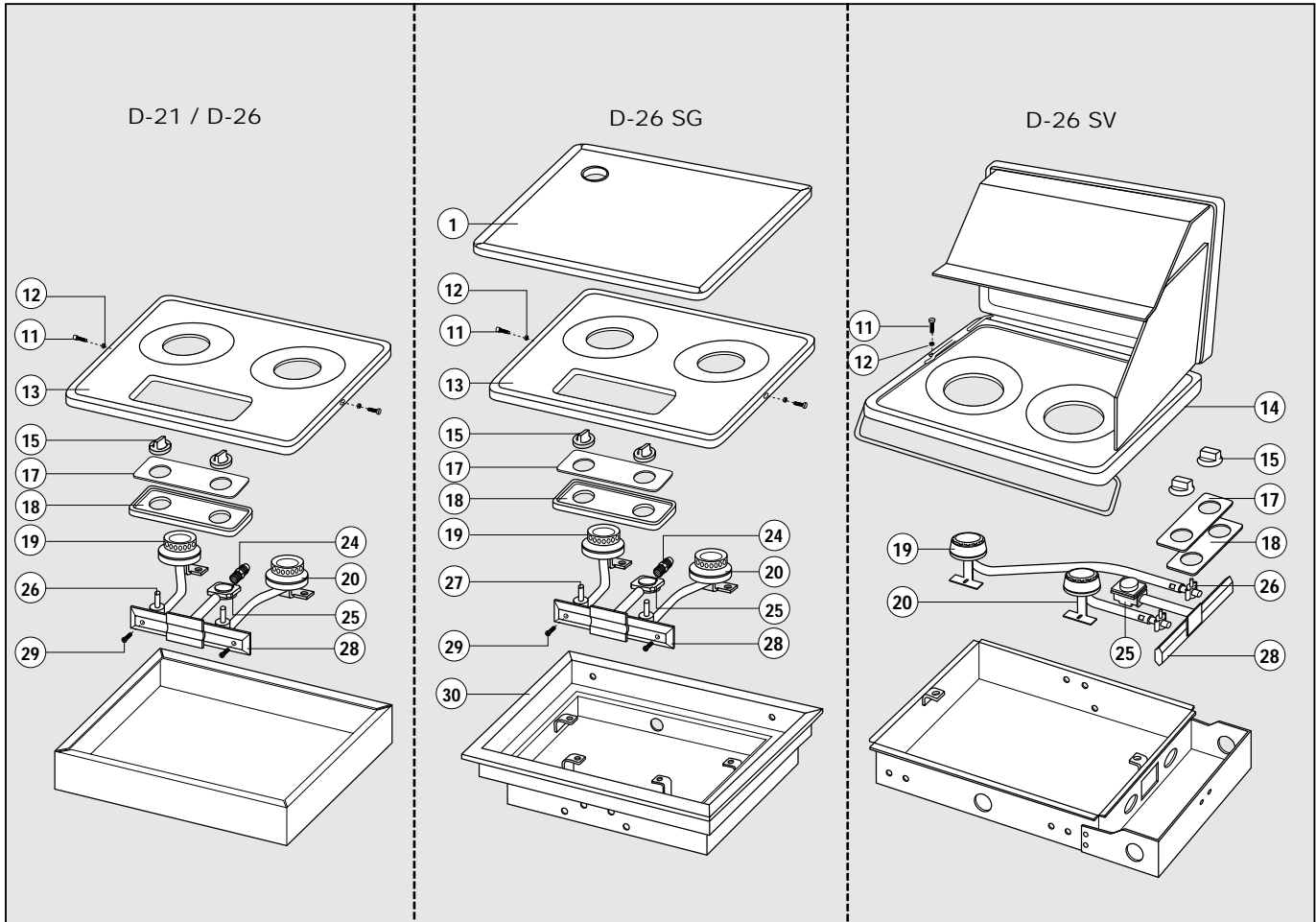
## DV 20



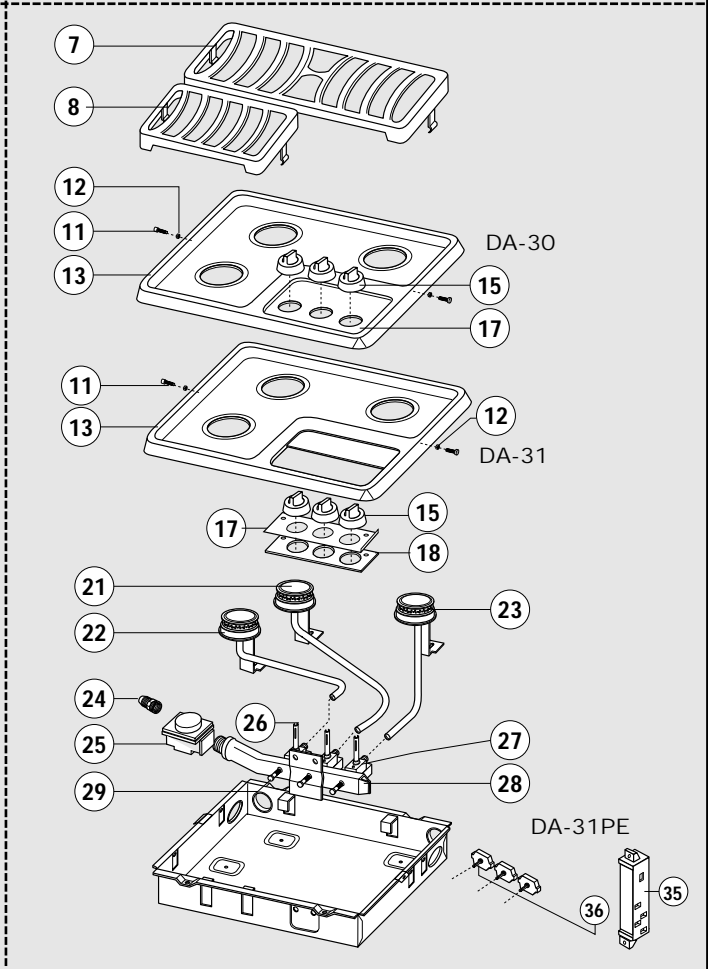
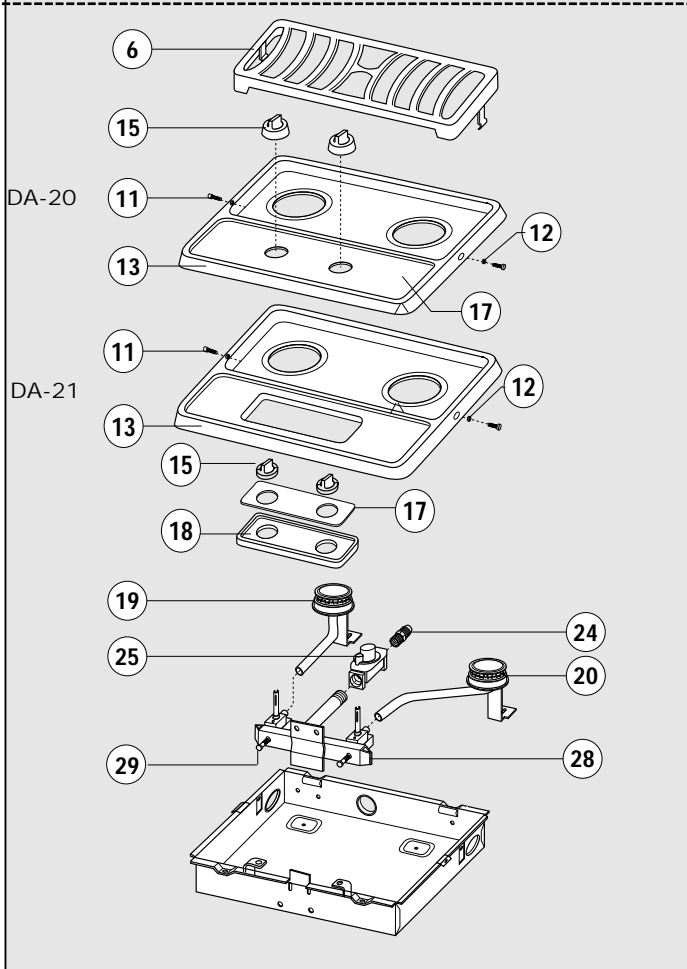
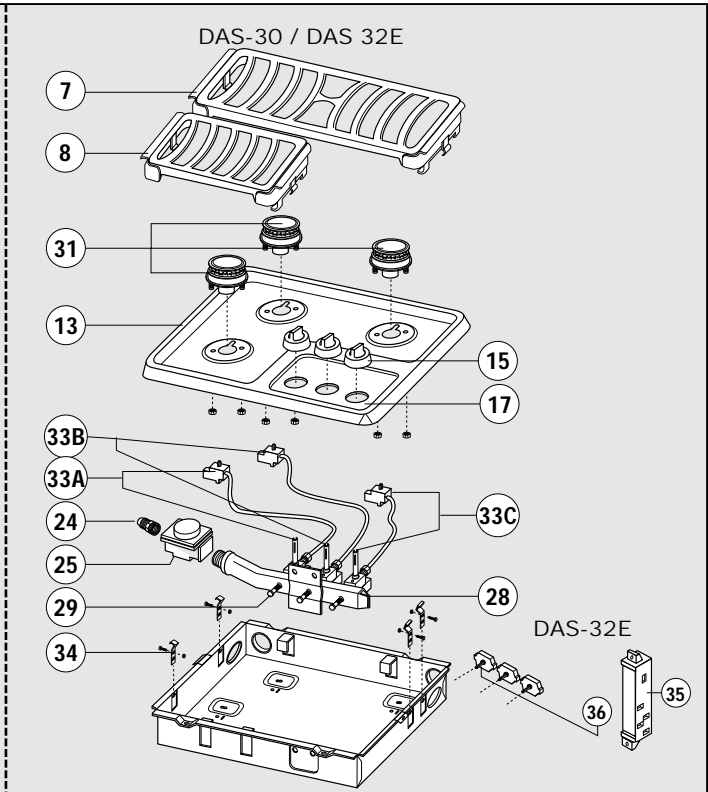
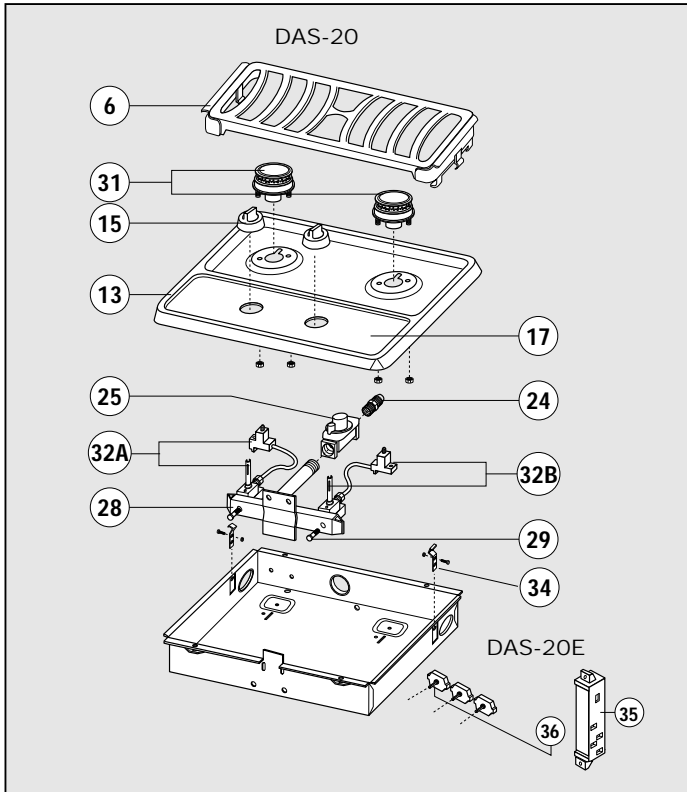
## DV 30



ITEM	DESCRIPTION	DV20	DV30
1	Round Grate	56378	56378 (1)
2	Oval Grate	56379	56379
3	Burner Knob	56380 (2)	56380 (3)
4	Label	56388	56491
5	Top - WHITE	56376	56375
	Top - BLACK	56496	56474
	Top - STAINLESS STEEL	57099	57102
6	Right Burner	56385	56483
7	Left Front Burner	56384	56482
8	Left Rear Burner	NA	56481
9	Manifold Pipe	56383	56478
10	Regulator	51062	51062
11	Valve 7200 Btu/h	56468	56468
12	Valve 5200 Btu/h	56469	56469 (2)
13	Screw-Valve	56480 (2)	56480 (3)
14	Valve Bracket	56479 (2)	56479 (3)
15	Screw-Burner	51325 (4)	51325 (5)
16	Screw-Top	56377 (2)	56377 (2)
17	Nylon Washer	52434 (2)	52434 (2)
18	Burner Box	56498	56476
19	Inlet Pipe Grommet	92610	92610
20	Gasket, Valve	56366 (2)	56366 (3)







**Drop-in Cooktops**  
**PART REFERENCE**  
 SEPTEMBER 2003

	D-21 / D-26	D-26SV	D-26SG	D-31 / D-36	DA-20	DA-21	DA-30	DA-31	DA-31PE	DAS-20 / DAS-20E	DAS-30	DAS-32E
<b>Burner</b>												
56073 Burner, LEFT	X		X									
56075 Burner, LEFT		X										
56212 Burner, LEFT					X	X						
56302 Burner, LEFT (VALVE/TUBE ASSEMBLY)										X		
56074 Burner, RIGHT	X		X									
56076 Burner, RIGHT		X										
56213 Burner, RIGHT					X	X						
56303 Burner, RIGHT (VALVE/TUBE ASSEMBLY)										X		
56083 Burner, LEFT REAR				X								
56215 Burner, LEFT REAR							X	X				
56234 Burner, LEFT REAR									X			
56304 Burner, LEFT REAR (VALVE/TUBE ASSEMBLY)										X		
56214 Burner, LEFT FRONT							X	X				
56082 Burner, LEFT FRONT				X								
56235 Burner, LEFT FRONT									X			
56305 Burner, LEFT FRONT (VALVE/TUBE ASSEMBLY)										X		
56084 Burner, RIGHT REAR				X								
56216 Burner, RIGHT REAR							X	X				
56233 Burner, RIGHT REAR									X			
56306 Burner, RIGHT REAR (VALVE/TUBE ASSEMBLY)										X		
56307 Burner, SEALED (PLAIN)										X	X	X
56208 Burner, SEALED (BLACK)										X	X	X
56207 Burner, ELECTRONIC IGNITION (PLAIN)										X	X	X
56325 Burner, ELECTRONIC IGNITION (BLACK)										X	X	X
<b>Control Panel Label</b>												
52539 Black label	X											
52437 Black label		X										
51454 Black label			X									
52540 Black label				X								
56346 Black label					X							
57700 Black label						X						
56347 Black label							X					
57051 Black label (Before S.N. B0220)								X				
53126 Black label (After S.N. B0200)								X				
57050 Black label (Before S.N. B0200)									X			
53126 Black label (After S.N. B0200)									X			
56350 Black label    56348 White label										X		
56351 Black label    56349 White label											X	
57052 Black label												X
<b>Cover</b>												
56204 Cover			X									
56205 Frame			X									
51443 Cooktop & Cover Asbly			X									
<b>Electronic Ignition</b>												
56162 12V Ignition Module									X	X		X
56184 Ground Lead									X			X
56165 Electrode Lead									X	X		X
<b>Fitting, Brass</b>												
52294 Fitting, Brass	X	X	X	X	X	X	X	X	X	X	X	X

**Drop-in Cooktops**  
**PART REFERENCE**  
**SEPTEMBER 2003**

	D-21 / D-26	D-26SV	D-26SG	D-31 / D-36	DA-20	DA-21	DA-30	DA-31	DA-31PE	DAS-20 / DAS-20E	DAS-30	DAS-32E
<b>Grates</b>												
51007 Medallion Grate	(2)			(3)								
53304 Designer Grate	X	X	X									
53303 Designer Grate, Rear				X								
53302 Designer Grate, Front				X								
53436 Stamped Steel Grate					X	X						
53437 Stamped Steel Grate, Rear OPEN							X	X	X			
53438 Stamped Steel Grate, Front OPEN							X	X	X			
53439 Stamped Steel Grate										X		
53441 Stamped Steel Grate, Rear SEALED											X	X
53442 Stamped Steel Grate, Front SEALED											X	X
<b>Grate Boots &amp; Clips</b>												
53301 Grate Clips	(2)	(2)	(2)	(4)								
51410 Grate Top Clip N/S									(4)	(2)	(4)	(4)
53008 Grate Boot	(4)	(4)	(4)	(8)								
<b>Knobs</b>												
53000 Burner Knob	(2)	(2)	(2)	(3)								
56129 Burner Knob					(2)	(2)	(3)	(3)	(3)	(2)	(3)	(3)
<b>Manifold</b>												
52523 Manifold Cover	X		X					X	X			
52524 Manifold Cover				X								
52516 Manifold Cover						X						
56079 Manifold Pipe	X	X	X		X	X				X		
50160 Manifold Pipe							X	X	X		X	X
<b>Misc.</b>												
52016 Thumb screw					X	X	X	X			X	
52537 Thumb screw	X	X	X	X								
52434 Nylon Washer (2)	X	X	X	X	X	X	X	X			X	
<b>Pressure Regulator</b>												
51062 Pressure Regulator	X	X	X	X	X	X	X	X	X	X	X	X
<b>Top, Cook</b>												
Almond top	ORDER BY COLOR											
Black top	ORDER BY COLOR											
White top	ORDER BY COLOR											
<b>Valve</b>												
53124 6500 Linear Valve after SN B020									(1)			
53114 5200 Linear Valve after SN B020									(2)			
56090 Valve, Burner-6500 BTU	(2)	(2)		(1)		(2)		(1)	(1)			
56300 Valve, Burner-6500 BTU			(2)		(2)		(1)					
56089 Valve, Burner-5200 BTU			(2)	(2)				(2)	(2)			
56301 Valve, Burner-5200 BTU							(2)					
56145 Valve Ignition Switch									(3)	(2)		
57055 Valve Ignition Switch												(3)
<b>Valve thru Bolt</b>												
56091 Valve thru Bolt	(2)	(2)	(2)	(3)	(2)	(2)	(3)	(3)	(3)	(2)	(3)	(3)
<b>Wire Harness</b>												
56164 Wire Harness									X	X		X
<b>Valve Tube Assembly</b>												
56302 Left										X		
56303 Right										X		
56305 Left front											X	
56304 Left rear											X	
56306 Right rear											X	
56309 Left front												X
56308 Left rear												X
56310 Right rear												X

NOTES

THIS PAGE INTENTIONALLY LEFT BLANK