



by Dometic

8270004 Series Nested Hardware

for use with
SUNCHASER
Fabric Roller Tube Assembly

USA
SERVICE OFFICE
The Dometic Corp.
509 So. Poplar St.
LaGrange, IN 46761

CANADA
Dometic Dist.
866 Langs Dr.
Cambridge, Ontario
CANADA N3H 2N7

**For Service Center
Assistance Call:**
800-544-4881

! WARNING

This manual must be read and understood before installation, adjustment, service, or maintenance is performed. This unit must be installed by a qualified service technician. Modification of this product can be extremely hazardous and could result in personal injury or property damage.

INSTALLATION INSTRUCTIONS

MODEL
8270004 Series
Nested Hardware

INSTALLATION

COVERED BY ONE OR MORE OF THE FOLLOWING PATENTS: 4,524,791; 5,351,736; 5,351,827; 5,383,346; 5,472,007; 5,516,244; 5,566,918; D366,763; D395,170; others pending

REQUIRED PARTS (Packed with each Hardware Assembly)

- | | |
|---------------------------|-----------------------------|
| (2) Arm Caps | (4) #14 x 3 Screws |
| (2) 1/4-20 Machine Screws | (2) #10 Machine Screws |
| (2) 1/4-20 Short Locknuts | (2) #10 Locknuts |
| (2) Nylon Washers | (2) Stop Washers |
| (4) #14 x 2 Screws | (2) #6 Self-Drilling Screws |

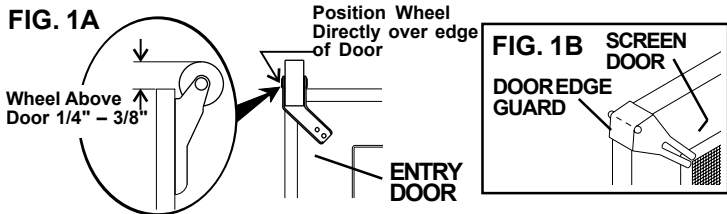
Application

The standard A&E awning is designed and intended for use on motorhomes, mini-motorhomes, 5th wheels and travel trailers with straight sides. For curved sides, please see the separate Hardware List in the Dealer Service Manual for the appropriate model.

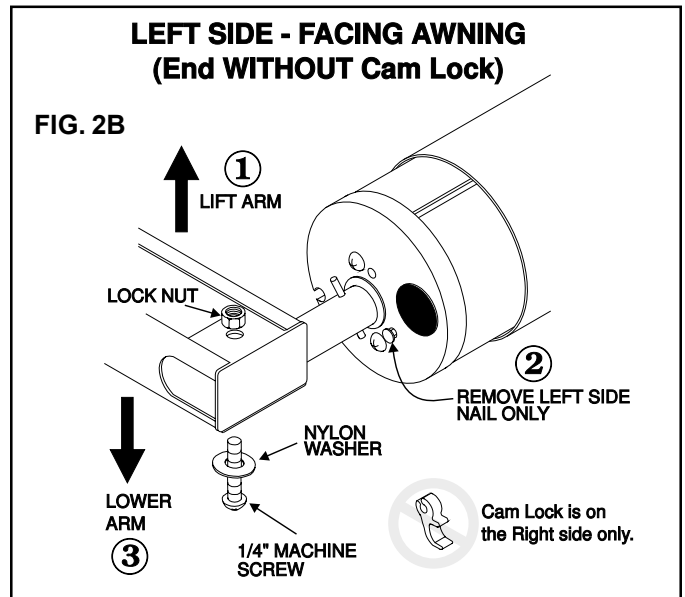
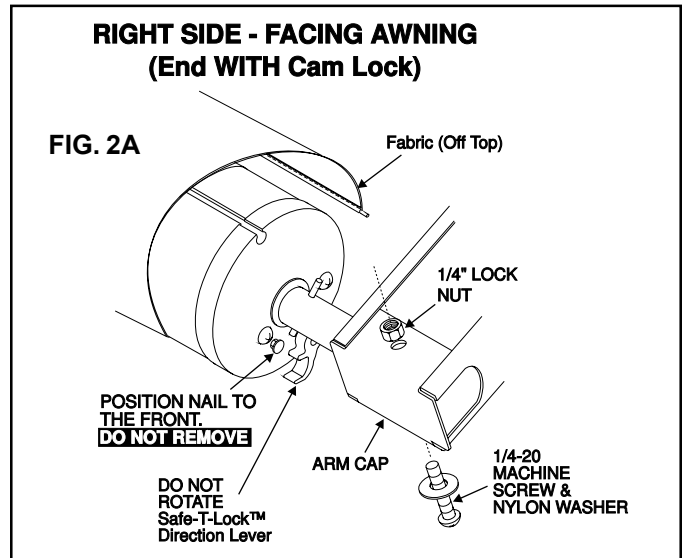
IMPORTANT: Read and understand ALL of the following steps before beginning installation.

The Dometic Corporation reserves the right to modify appearances and specifications without notice. A&E Awning can be installed by one person with brief help from two others. Use the following procedure to assure a properly installed, and properly functioning awning.

- When the awning is mounted above a square corner entry door, a door roller and guard must be installed per FIG. 1A and 1B to reduce the potential of damage to the fabric. Rounded doors may not require a door roller if the door will not damage the fabric.



- Carefully lay the fabric roller tube assembly on a clean, well padded "V" trough to prevent fabric damage. Working on the torsion lock end first, insert the arm cap into the arm, position the nail in the end cap to the front of the hardware, align and secure the arm assembly to the torsion rod using the 1/4-20 machine screws, nylon washers, and 1/4" locknuts. (FIG. 2A) Align and attach the other end.
- Remove the left nail only. With both awning arms secured to the Fabric Roller Tube Assembly, and facing the floor, rotate the left arm clockwise as if rolling the fabric up. This takes the torsion pressure off of the nail. Remove the nail by hand and lower the arm to the floor. (FIG. 2B)



WARNING
DO NOT REMOVE the NAIL from the right end at this time and DO NOT attempt to rotate the Safe-T-Lock™ Direction Lever until installation is complete. (Lever has been preset in the roll-down position.) (FIG. 2A,)

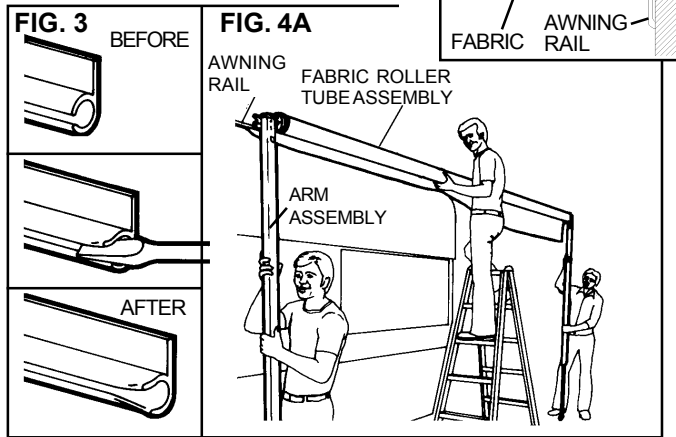
- Prepare the awning rail to accept the awning roller cover. Select the end from which the awning shall be fed, then widen that end of the rail with a flat screwdriver and file off any sharp edges. (FIG. 3)
- With one person grasping each support arm, carefully lift the entire assembly upright. Keep the two arm assemblies **Parallel** to each other to avoid damage due to twisting. Carry the awning to the prepared awning rail end. (FIG. 4A & B)

Feed the awning into the awning rail while standing on a stepladder, (third person) while two carry the awning assembly to the desired position.

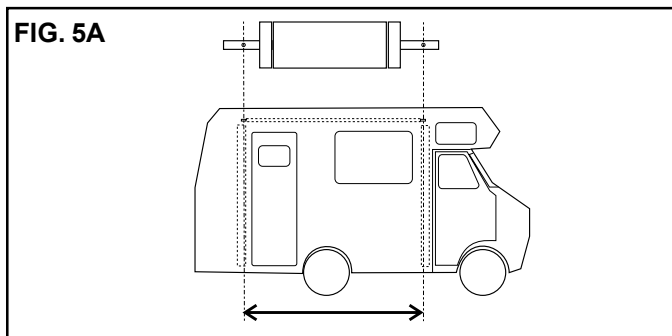
Door roller kit #830304 is available from The Dometic Corporation.

6. Install Top Brackets.

After the complete awning assembly has been slid into the awning rail, check to be sure that its position allows for solid mounting of the top and bottom brackets and that support arms are in desired location (not restricting use of doors, access doors, etc.). (FIG. 5A)



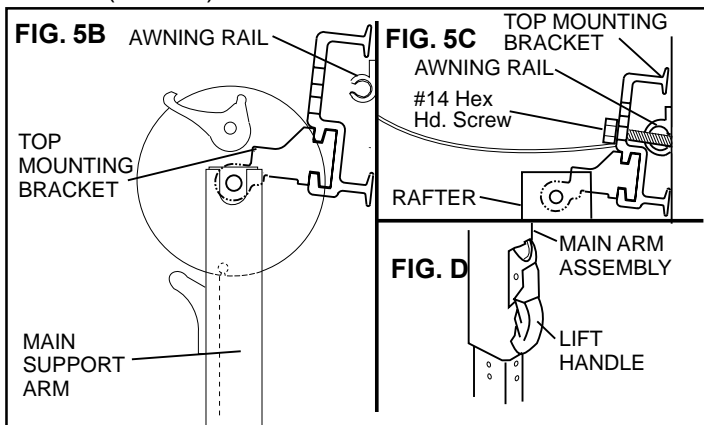
Place top bracket in position over awning rail as shown in FIG. 5B, and align bracket directly behind and centered with the main support arm.



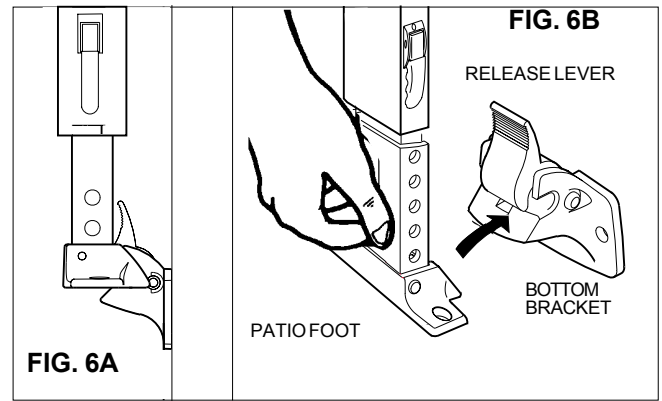
Lift the arm handle (releasing lock button) and CAREFULLY extend the inner arm to the ground to support the awning.

Pull the main support arm away from the top bracket and rafter arm. Mark the top bracket position and pre-drill the two 3/16" dia. holes (7/32" dia. in steel). Install top bracket with two #14 hex. hd. screws (FIG. 5C). Seal where the screws enter the coach with silicone.

Place main support arm over the extension portion of the top bracket. (FIG. 5B).



Install remaining top bracket using the same procedure.

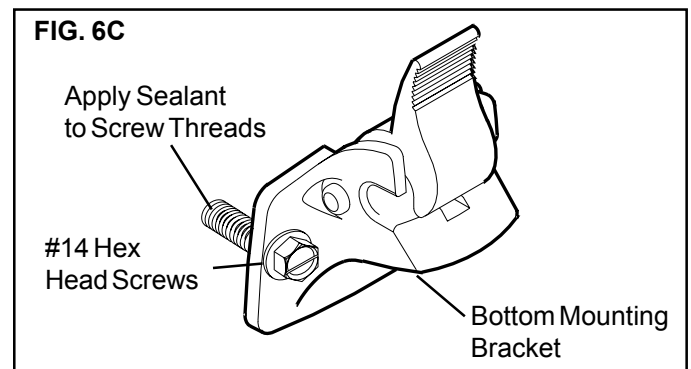


7. Install Bottom Brackets

Snap the patio foot on the bottom of the inner arm into the bottom bracket. (FIGS. 6A & 6B). Insure the arm top casting is resting on the top pivot. Lift the main arm handle and slide the inner arm up to the desired mounting position. Select the best supporting structure, i.e. mount directly into the floorline, molding, etc. Close the travel latch.

Mark position of bottom bracket holes into the floorline. Pre-drill two 3/16" dia. holes through the marked locations. (Drill 7/32" dia. into steel).

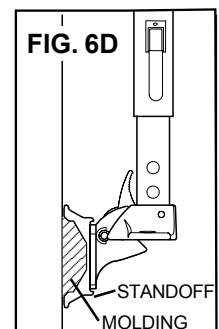
The inner arm is still temporarily resting over the top bracket. Mark position of bottom bracket so that both holes are positioned over the floorline. Disconnect bottom bracket from patio foot and pre-drill two 3/16" dia. holes through the marked locations. (Use 7/32" dia. if drilling through steel).



Secure the bottom bracket to the coach using two #14 hex head screws. (FIG. 6C). Seal where the screws enter the coach with clear silicone. Snap the foot back into the bracket.

Repeat for other side.

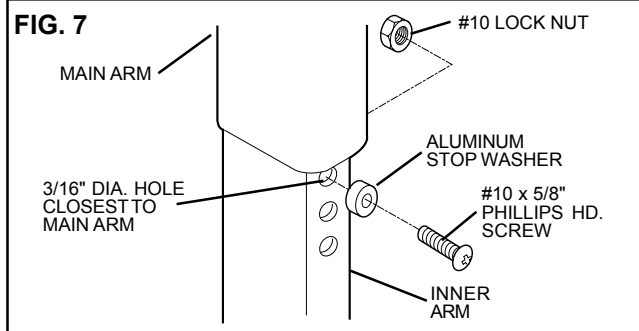
Note: If installing over a molding, A&E Standoff Kit 3104781 may be used (See Fig. 6D).



8. Install Stop Plugs.

⚠ CAUTION

This step is essential for the proper functioning of all A&E Awnings.

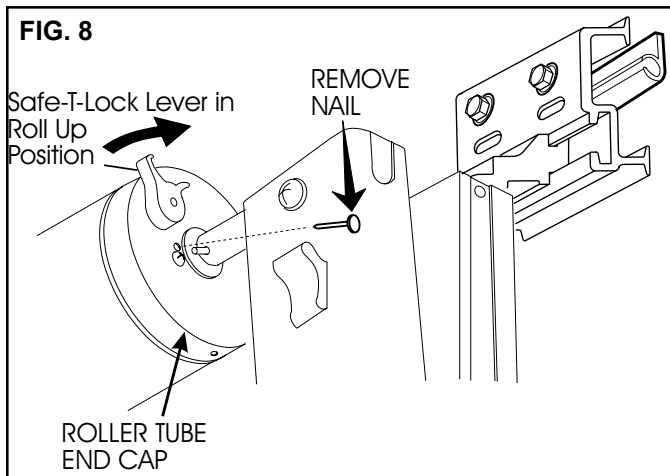


Using the lift handle, **RAISE THE MAIN ARM UP BY ONE HOLE ONLY.**

Install an aluminum stop washer on the inner arm side, through the hole closest to the bottom of the main arm with a #10 Phillips screw and a #10 lock nut (FIG. 7).

THE MAIN SUPPORT ARM SHOULD NOW CLEAR THE TOP PIVOT WHEN THE AWNING CLOSES.

Repeat for other side.



9. Releasing Pre-Set Tension.

⚠ WARNING

When removing nails, keep hands clear of hardware and roller tube. Springs are under tension and the awning will attempt to close.

The nail is found in the roller tube end cap (FIG. 8). Twist the roller tube as if unrolling awning while pulling the nail by hand and discard.

Remove wire tie from the Safe-T-Lock™ Lever. Rotate the lever to the roll up position and allow the awning to roll up. The awning should now roll up snugly against the vehicle side. If no tension is felt, check to make sure the Safe-T-Lock™ Lever is in the roll-up position.

10. Secure Awning to Rail

Open and close awning a few times to allow for natural self adjustment of awning. Insure the arms are still positioned directly in front of the top brackets.

The fabric will locate itself. Pull the fabric sideways 1/4" in the awning rail. Measure in 2" from the edge of the fabric and secure by driving a #6 self-drilling screw through the rail and into the fabric rope. (FIG. 9)

Repeat at the other end, pulling the fabric 1/2" and holding while securing the fabric. This will ensure a wrinkle-free weather shield.

11. Operate awning according to the Operating Instructions to check that all parts function properly.

12. Secure the travel latches and tighten the knobs.

