



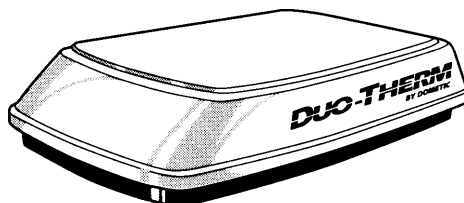
**WHEN ORDERING SPARE PARTS, ALWAYS STATE:**  
MODEL NO. - PRODUCT NO. - QUANTITY -  
PART NUMBER - DESCRIPTION  
**FOR ELECTRIC DETAILS ALSO:**  
VOLTAGE - WATTAGE

# MODEL 630025.321 Roof-Top Heat Pump used with Air Distribution Box Kit

**USA**  
SERVICE OFFICE  
The Dometic Corp.  
509 So. Poplar St.  
LaGrange, IN 46761  
219-463-4858

**CANADA**  
Dometic Dist.  
866 Langs Dr.  
Cambridge, Ontario  
CANADA N3H 2N7  
519-653-4390

**For Service Center  
Assistance Call:**  
800-544-4881



## PARTS LIST

**MODEL**  
**630025.321**  
Product No. 991721742  
Suffix C & D



**ALPHABETICAL INDEX**

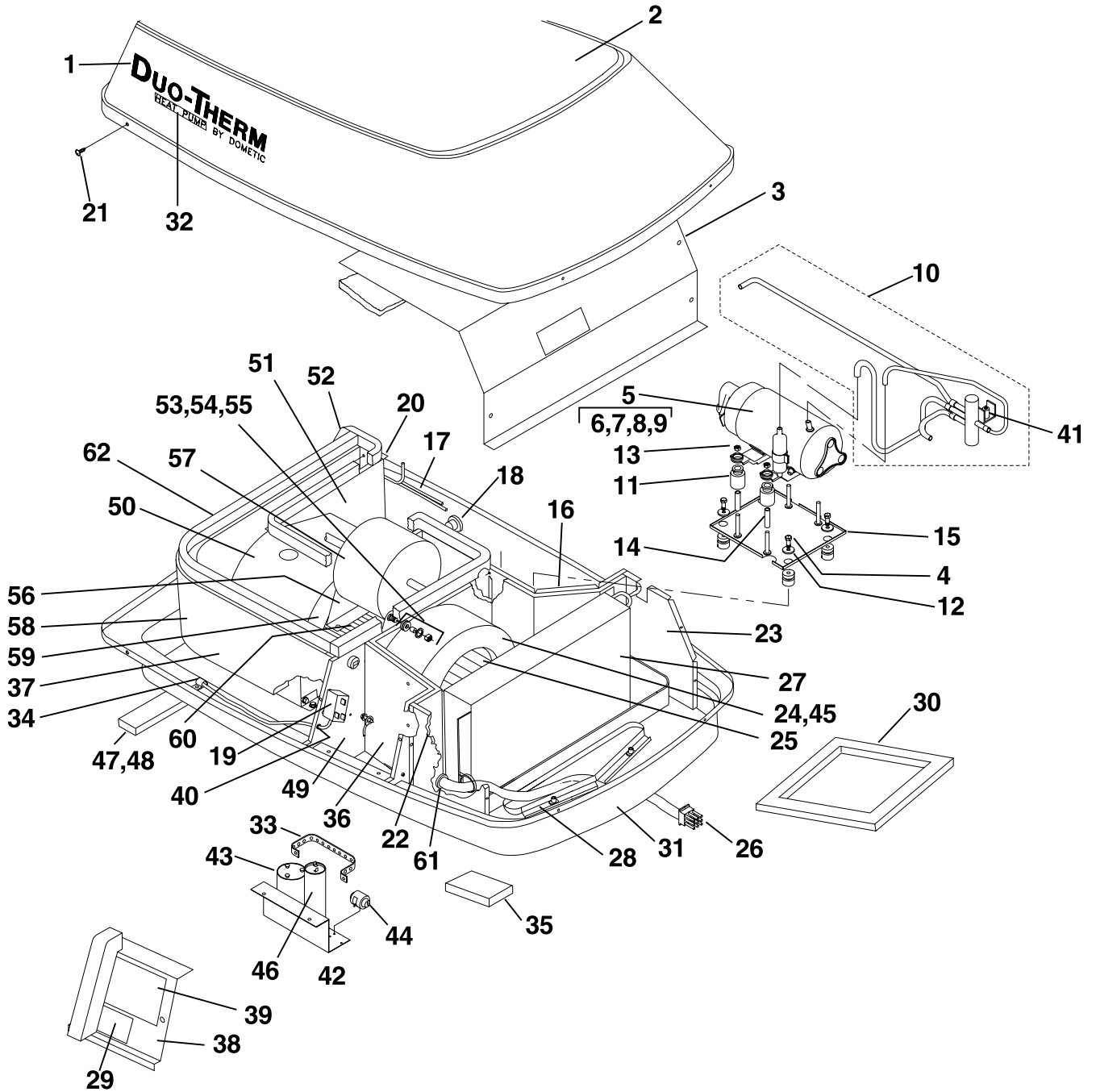
|                             | Page  | Index # |
|-----------------------------|-------|---------|
| Air Box Asm. ....           | 6 & 7 | A-C     |
| Roof Mounted Assembly ..... | 5     | 1-62    |
| Wiring Diagrams .....       | 8     |         |

**SPECIFICATIONS**

| MODEL NO.                    | 630025.321                                     |        |
|------------------------------|--|--------|
| Nominal Capacity (BTU/HR)    | Cooling=13,500/Heating=13,500                  |        |
| Electrical Rating            | 115 VAC, 60 Hz., 1 ph.                         |        |
| Compressor Rated Load Amps   | 12.4   |        |
| Fan Motor Rated Load Amps    | 3.1  |        |
| Compressor Locked Rotor Amps | 60.0   |        |
| Fan Motor Locked Rotor Amps  | 8.8  |        |
| Power, Cooling (KW)          | 1.8  |        |
| SCFM-High Speed Max./Min.    | 335/250  |        |
| Refrigerant (R22) Oz.        | 24.5   |        |
| Minimum Wire Size *          | 12 AWG Copper Up to 24 ft.                     |        |
| Circuit Protection           | 20 Amp Time Delay Fuse or HACR Circuit Breaker |        |
| Installed Weight (Pounds)    | 106  |        |
| Minimum Generator            | 1 Unit   | 3.5 KW |
| Size **                      | 2 Units  | 5.0 KW |

\* For distances over 24 ft. consult the National Electrical Code.  
 \*\* The Dometic Corporation gives **GENERAL** guidelines for generator requirements. These guidelines come from experiences people have had in actual applications. When sizing the generator, the total power usage of your recreational vehicle must be considered. Also keep in mind generators lose power at high altitudes and from lack of maintenance.

# ROOF MOUNTED ASSEMBLY



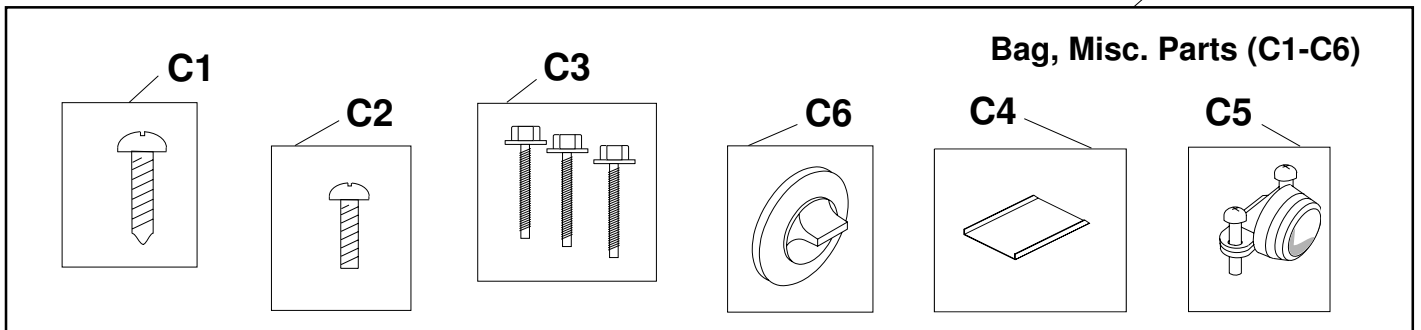
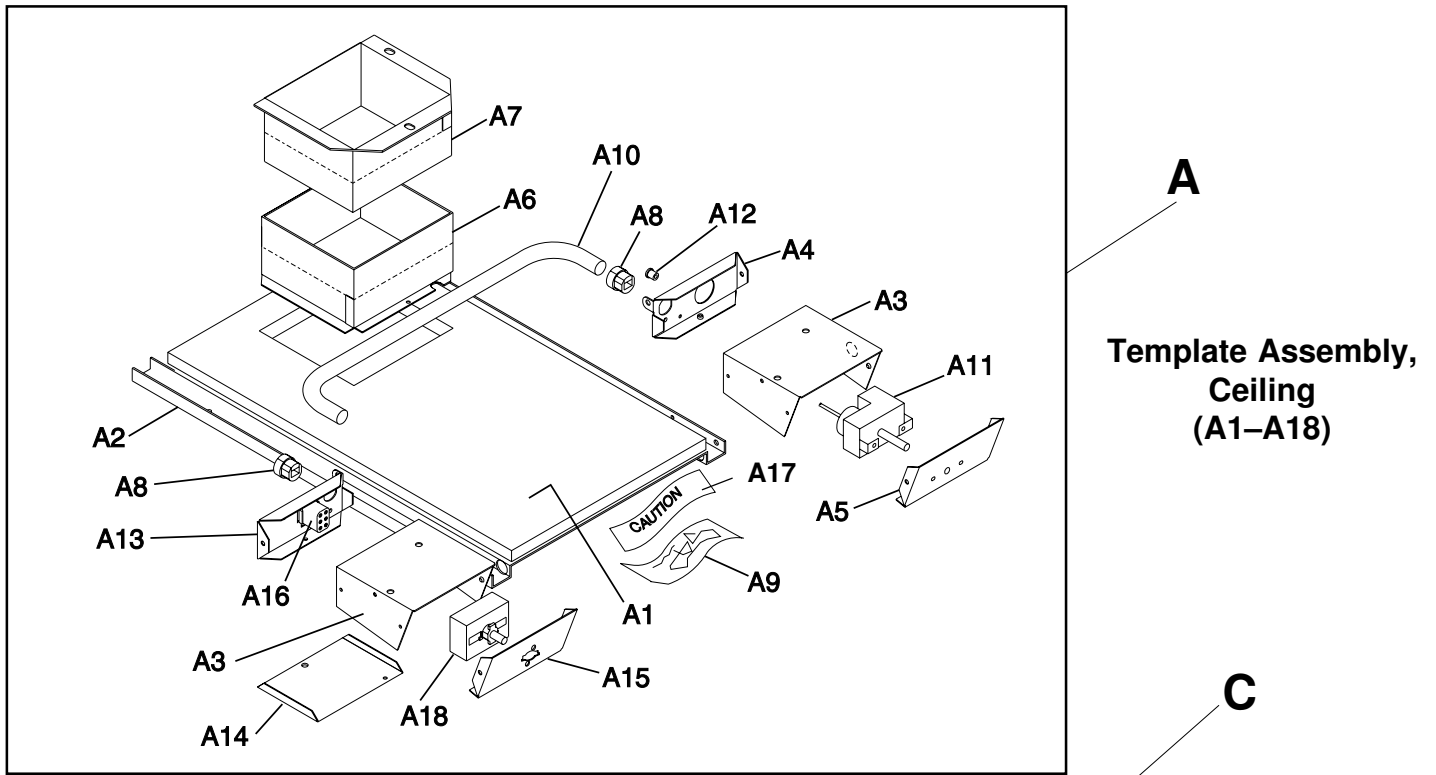
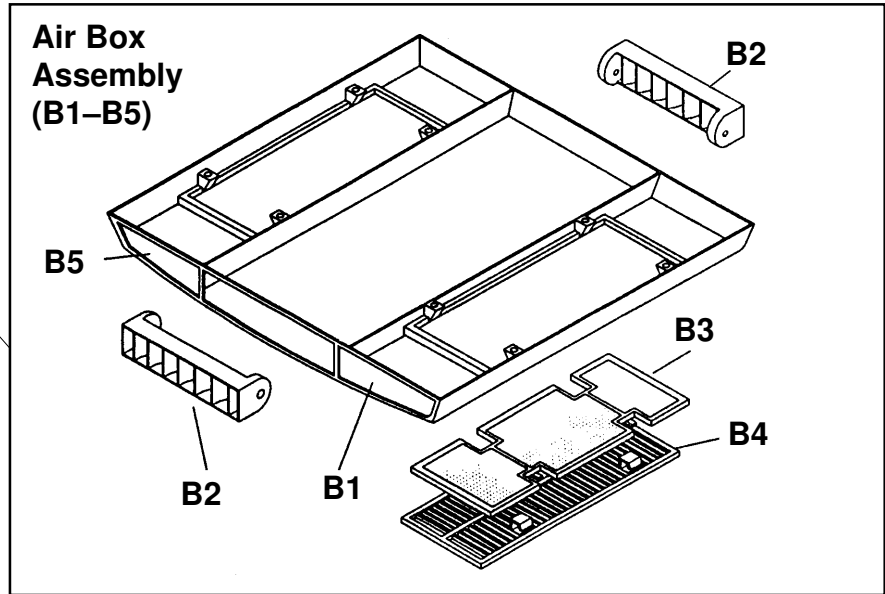
## ROOF MOUNTED ASSEMBLY

| Index # | Description   | 630025.321 C&D |
|---------|---|----------------|
| 1       | Decal, Duo-Therm (2 req.)                               | 3102888.009    |
| 2       | Shroud, less decals                                     | See NOTE 1     |
| 3       | Evap. cover asm. with insulation                        | 3102514.803    |
| 4       | Screw, M25-20 x .75 hw (4 req.)                         | 312110.024     |
| 5       | Compressor Asm.   | 3102984.006    |
| 6       | Cover, terminal   | 3102321.001    |
| 7       | Gasket, terminal  | 3102320.003    |
| 8       | Overload, protector                                     | 3100250.228    |
| 9       | Plate, compressor                                       | 3102590.035    |
| 10      | Valve, Rev. Weldment                                    | 3106042.009    |
| 11      | Grommet mtg. plate (7 req.)                             | 3102324.005    |
| 12      | Washer, flat (4 req.)                                   | 309513.015     |
| 13      | Nut, flange (3 req.)                                    | 306342.005     |
| 14      | Sleeve, compressor (3 req.)                             | 3100239.114    |
| 15      | Plate, compressor mtg.                                  | 3102591.025    |
| 16      | Bulkhead, compressor                                    | 3102511.049    |
| 17      | Capillary tubes (2 req.)                                | 3100245.392    |
| 18      | Bushing, snap-in  | 301028.037     |
| 19      | Changeover t-stat, ht. pump                             | 3105506.004    |
| 20      | Plate, close-off  | 3106143.005    |
| 21      | Screw, shroud (4 req.)                                  | 313685.001     |
| 22      | Insulation, evap. bulkhead                              | 3102516.022    |
| 23      | Plate, evap. close-off<br>[Split and use (1) each side] | 3102512.021    |
| 24      | Blower housing  | 3100300.007    |
| 25      | Wheel, evaporator (plastic)                             | 3100385.008    |
| 26      | Plug, male, 9-pole                                      | 3106625.027    |
| 27      | Coil, evaporator  | 3105970.002    |
| 28      | Bracket, front  | 3105495.000    |
| 29      | Decal, Caution  | 3100384.001    |
| 30      | Gasket, mounting 14 x 14                                | 3100247.000    |
| 31      | Base pan  | 3103179.010    |
| 32      | Decal, Heat Pump by Dometic (2 req.)                    | 3106381.001    |
| 33      | Strap, capacitor  | 317188.000     |
| 34      | Clip, nylon wire  | 304203.001     |
| 35      | Foam block (2 req.)                                     | 3100587.009    |
| 36      | Bulkhead, elec. box                                     | 3102532.037    |
| 37      | Relief, strain  | 302994.017     |
| 38      | Cover, elec. box  | 3102510.009    |
| 39      | Decal, field wiring                                     | 3106608.007    |
| 40      | Bushing, snap-in  | 301028.040     |
| 41      | Solenoid, reversing valve                               | 3105504.009    |
| 42      | Panel, capacitor  | 3104412.006    |
| 43      | Capacitor, fan/run                                      | 3100248.321    |
| 44      | PTCR device   | 3100876.006    |
| 45      | Insulation, housing (not shown)                         | 3100294.002    |
| 46      | Capacitor, start  | 3100236.169    |
| 47      | Gasket 10" x 1.5"                                       | 3100286.032    |
| 48      | Gasket 16" x 1.5" (not shown) (2 req.)                  | 3100286.016    |
| 49      | Bulkhead, evaporator                                    | 3100254.055    |
| 50      | Blower scroll   | 3100260.003    |
| 51      | Blower, side/rear                                       | 3100261.001    |
| 52      | Foam tape, 1-1/4" x 3/4" x 69" (order by inches)        | 3102669.045    |
| 53      | Grommet, motor (4 req.)                                 | 3100230.022    |
| 54      | Spacer, motor (4 req.)                                  | 308046.000     |
| 55      | Nut, flange (4 req.)                                    | 306342.003     |
| 56      | Bracket, motor (2 req.)                                 | 3106187.002    |
| 57      | Motor, fan  | 3108702.372    |
| 58      | Coil, condenser   | 3106041.001    |
| 59      | Blower, side-front                                      | 3100259.005    |
| 60      | Wheel, blower condenser                                 | 3100274.004    |
| 61      | Strain relief   | 302994.011     |
| 62      | Foam tape, 1-1/4" x 1-1/4" x 35" order by inches)       | 3102669.029    |

|                                      |                 |             |
|--------------------------------------|-----------------|-------------|
| <b>NOTE 1:</b> Models ending in .321 | Use 3102515.008 | Shell White |
| Models ending in .321C               | Use 3102515.024 | Polar White |
| Models ending in .321D               | Use 3102515.032 | Light Gray  |

# CUSTOMER OPTION

## 3106152.006 AIR BOX ASSEMBLY, COMPLETE A-C



## CUSTOMER OPTION - REQUIRED

### 3106152.006 AIR BOX ASSEMBLY, COMPLETE SHELL WHITE (A-C)

|          |  |                    |
|----------|--|--------------------|
| <b>A</b> | <b>TEMPLATE ASM., CEILING (A1-A18)</b> | <b>3105454.015</b> |
|          | A1 Insulation                          | 3107133.005        |
|          | A2 Template                            | 3100265.028        |
|          | A3 Box, junction                       | 3100275.001        |
|          | A4 Box, back RH                        | 3100279.011        |
|          | A5 Box, front RH                       | 3100277.031        |
|          | A6 Duct, ext. lower                    | 3100342.009        |
|          | A7 Duct, ext. upper                    | 3100262.009        |
|          | A8 Strain, relief (2 req.)             | 302994.017         |
|          | A9 Decal, field wiring                 | 3106220.001        |
|          | A10 Sleeve                             | 318087.007         |
|          | A11 Thermostat, ht/clg                 | 313620.001         |
|          | A12 Bushing                            | 301028.040         |
|          | A13 Box, back LH                       | 3100299.035        |
|          | A14 Cover, junction box                | 3100278.013        |
|          | A15 Box, front LH                      | 3105271.005        |
|          | A16 Plug, female 9-pole                | 3106624.020        |
|          | A17 Decal, "Caution . . ."             | 3100384.001        |
|          | A18 Switch, rotary                     | 3100488.000        |
| <b>B</b> | <b>BOX, AIR Shell White (B1-B5)</b>    | <b>3101390.098</b> |
|          | B1 Decal, thermostat (RH)              | 3106219.003        |
|          | B2 Louver (2 req.)                     | 3100289.002        |
|          | B3 Filter (2 req.)                     | 3100281.009        |
|          | B4 Grill (2 req.)                      | 3100270.002        |
|          | B5 Decal, rotary switch (LH)           | 3106221.009        |
| <b>C</b> | <b>BAG, MISC. PARTS (C1-C6)</b>        | <b>3108701.628</b> |
|          | C1 Screw, 10-16 x .5 (6 req.)          | 312096.015         |
|          | C2 Screw, 8-32 x .38 (3 req.)          | 312194.008         |
|          | C3 Screw, 1/4-20 x 7 (3 req.)          | 3106756.012        |
|          | C4 Cover, junction box                 | 3100278.013        |
|          | C5 Connector                           | 20010.000          |
|          | C6 Knob (2 req.)                       | 3106121.001        |

