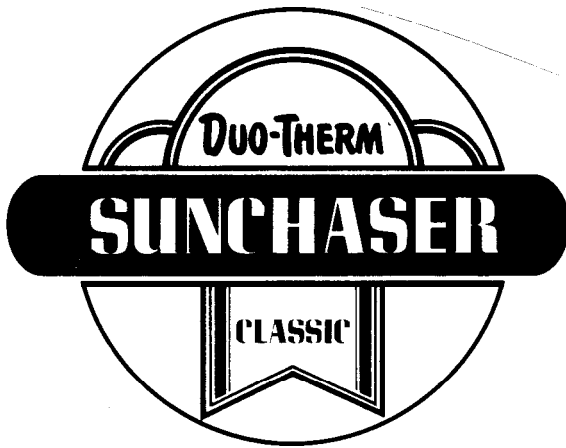
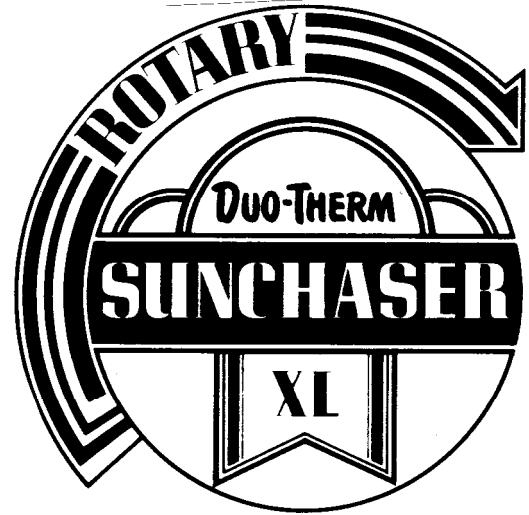


Recreational Vehicle Air Conditioner



SHUR START
54812.042
54815.042
54815.044



QUICK START SHUR START
55812.041 55812.042
55815.041 55815.042



QUICK START
55712.041
55715.041
55715.043

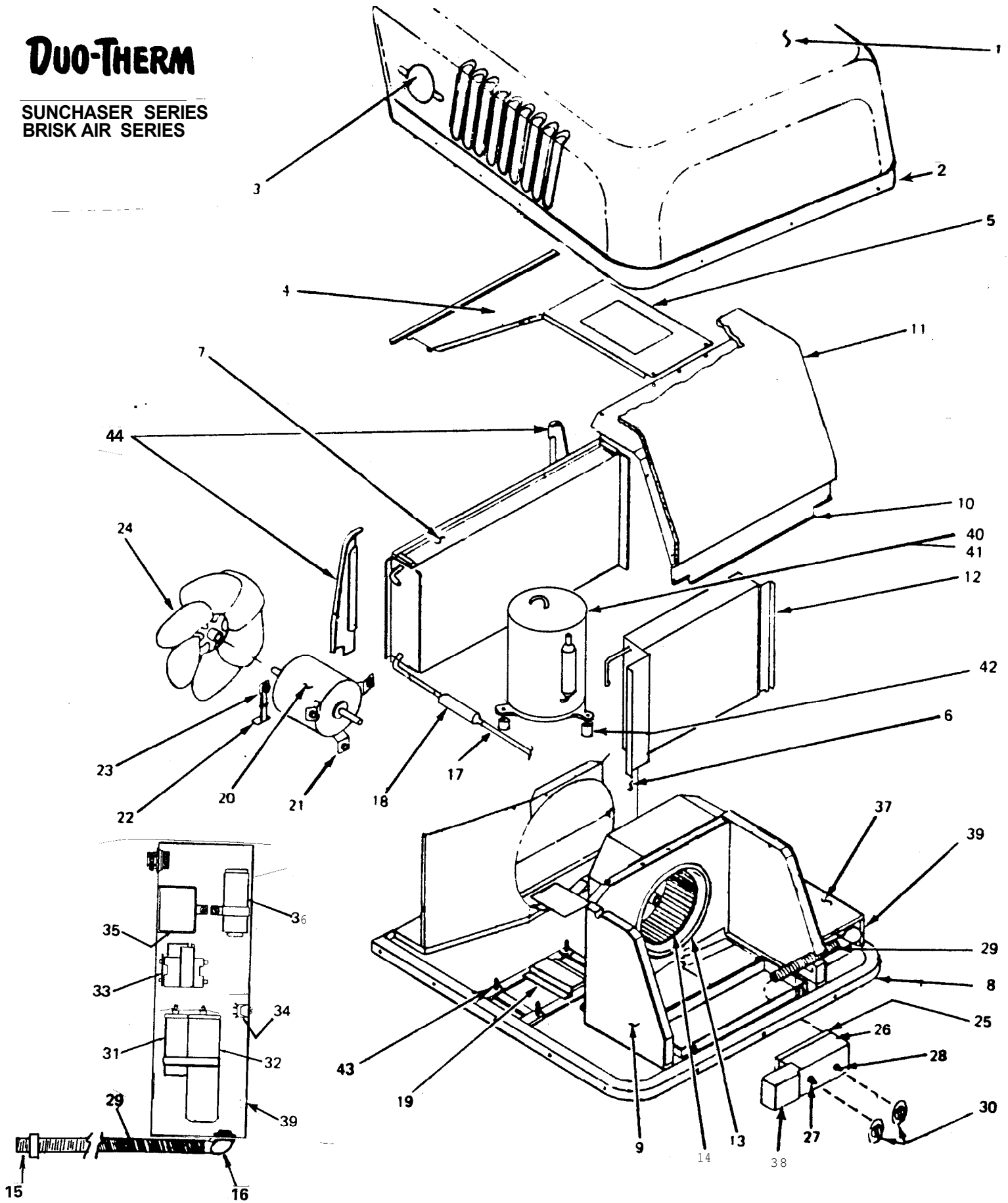


QUICK START
55912.041
55912.341
55915.041
55915.341

For Brisk Air Model 55908,
See Separate Parts List 19-1148

DUO-THERM

SUNCHASER SERIES
BRISK AIR SERIES



DUO-THERM Sunchaser Series BriskAir Series

Index No.	Description	54812-042 55712-041	54815042, -044 55715041, -943 *See Note 1	55812-041, -042 55912-041, -341 **See Note 2	55815041, -042 55915041, -341 ***See Note 3
1A	Upper Shroud, Plastic (557 & 559 only)	3-16404-001	3-16404-001	3-16404-001	3-16404-001
1B	Upper Shroud, Fiberglass(548 & 558 only)	3-7960	3-7960	3-7960	3-7960
2	Shroud Extension (548 & 558 only)	3-16434	3-16434	3-16434	3-16434
	Shroud Kit (548 & 558 only)	1314059	1314059	1314059	1314059
	(Includes Items 1B & 2)				
3	Shroud Decal, BriskAir (557 & 559 only)	3-16564	3-16564	3-16568	3-16568
	Shroud Decal,Sunchaser (548 & 558 only)	3-16567	3-16567	3-16512	3-16512
4	Condenser Coil Cover	3-9383	3-9383	3-9383	3-9383
5	Condenser Coil Brace	3-17556	3-17556	3-17556	3-17556
6	Condenser Coil Bulkhead	3-9293	3-9293	3-9293	3-9293
7	Condenser Coil	3-16341	3-16343	3-16341	3-16343
8	Base Pan	13-17097	13-17097	13-17097	13-17097
9	Evaporator Housing Kit	13-17099	13-17099	3-17099	3-17099
10	Evaporator Coil Cover	3-14885	3-14885	3-14885	3-14885
11	Evaporator Cover Insulation	3-17797	3-17797	3-17797	3-17797
12	Evaporator Coil	3-16340	3-16342	3-16340	3-16342
13	Blower Inlet Ring	3-9304	3-9304	3-9304	3-9304
14	Blower Wheel	3-9302-100	3-9302	3-9302-100	3-9302
15	Conduit Connector, Straight	3-16718-001	3-16718-001	3-16718-001	3-16718-001
16	Conduit Connector, 90 deg.	3-16718-002	3-16718-002	3-16718-002	3-16718-002
17	Capillary Tube (2 Req.)	3-15752-020	3-15752-022	3-15752-020	3-15752-002
18	Liquid-Line Filter-Drier	3-16371	3-16371	3-16371	3-16371
19	Hold-Down Plate	3-9324	3-9324	3-9324	3-9324
20	Blower Motor	3-16425	3-9650	3-16425	3-9650
21	Motor Mounting Grommet (4 Req.)	6-107779-001	3-107779-001	3-107779-001	3-107779-001
22	Motor Support - Lower	3-16460	3-16460	3-16460	3-16460
23	Motor Support - Upper	3-8101-001	3-8101-001	3-8101-001	3-8101-001
24	Fan Blade	3-16416	3-9313	3-16416	3-9313
25	Control Box Cover	3-8146	3-8146	3-8146	3-8146
26	Control Box	3-13645	3-13645	3-13645	3-13645
27	Selector Switch-5 position (557-559 only)	3-16442-001	3-16442-001	3-16442-001	3-16442-001
	Selector Switch-I 0 Position (548 & 558 only)	3-13539	3-13539	3-13539	3-13539
28	Thermostat, Heat-Cool	3-13620	3-13620	3-13620	3-13620
29	Flex Conduit	3-5087-003	3-5087-003	3-5087-003	3-5087-003
30	Dial Knob	3-16517	3-16517	3-16517	3-16517
31	Fan Capacitor	3-15010-003	3-1501-003	3-15010-003	3-15010-003
32	Compressor Run Capacitor	3-16615-006	3-166615-006*	3-16615-006	3-16615-020
33	Time-Delay Relay (Shur Start only)	3-10456	3-10456	3-10456	3-10456
34	Terminal Block (If Used)	3-8024	3-8024	3-8024	3-8024
35	Start Relay (Potential Relay)	3-5040-007	3-5040-012*	3-5040-006	3-5040-006
36	Start Capacitor	3-5046-002	3-5046-017*	3-5046-016**	3-5046-016**
37	Electrical Box Cover	3-9306	3-9306	3-9306	3-9306
38	Junction Box Cover	3-13650	3-13650	3-13650	3-13650
39	Electrical Box	3-18187	3-18187	3-18187	3-18187
40	Compressor	3-8184	13-16438*	13-16369 ,*	13-16344 ***
41	Overload Protector	3-8184-006	-----	3-17001-002	3-17001-001 **
42	Compressor Mounting Grommet	3-10789-002	3-10780-002	3-10780-011	3-10780-011
43	Compressor Mounting Bolt	3-13684-001	3-13684-001	3-13684003	3-13684003
44	Close-Off Plate (Set of 2)	3-17897	3-17897	3-17897	3-17897

* NOTE 1:

For Models 54815944 and 55715043, USE SAME PARTS
AS 54815042 and 55715041 EXCEPT:

Index No. 32	Compressor Run Capacitor	3-16615-012
35	Start Relay	35049007
36	Start Capacitor	35046-011
40	Compressor	139318
41	Overload Protector	39318006

** NOTE 2:

For Models 55912-341 USE SAME PARTS
AS 55912-041 EXCEPT:

Index No.32	Compressor Run Capacitor	3-16615-009
36	Start Capacitor	3-5046-019
40	Compressor	1318085
41	Overload Protector	318264-001

*** NOTE 3:

For Model 55915341 USE SAME PARTS
AS 55915041 EXCEPT:

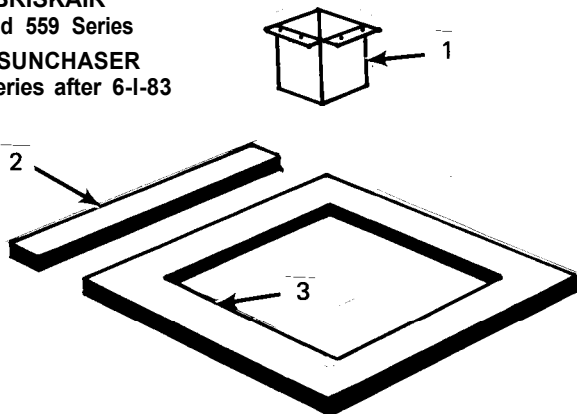
Index No.36	Start Capacitor	35046020
40	Compressor	1318086
41	Overload Protector	318264002

COMPRESSOR CROSS-REFERENCE

138184	Copeland	JR L4-01 00-PAA
139318	Copeland	RR K4-0126-PAA
1316369	Fedders	K48A04B-002
	Rotorex	K4BA III A0-005
1316344	Fedders	K48A49B-001
	Rotorex	K48A131 B0-002
13-1 6348	Copeland	JRR4-0100-PFA
1318085	Sanyo	C-R80H2G/80680442
1318086	Sanyo	C-RI00H2G/8068042

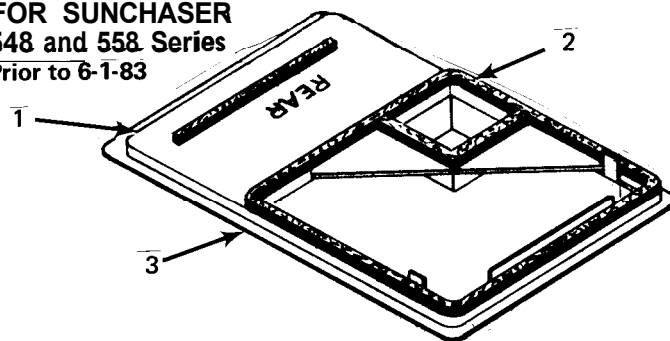
Above-Roof Installation Parts

FOR BRISKAIR
557 and 559 Series
FOR SUNCHASER
558 Series after 6-1-83



1. 3-16450 Discharge Air Duct
 2. 3-16462 Neoprene Gasket
 3. 3-16461 Neoprene Gasket 14"x 14"
- Neoprene Gaskets are attached to the base of unit when shipped.

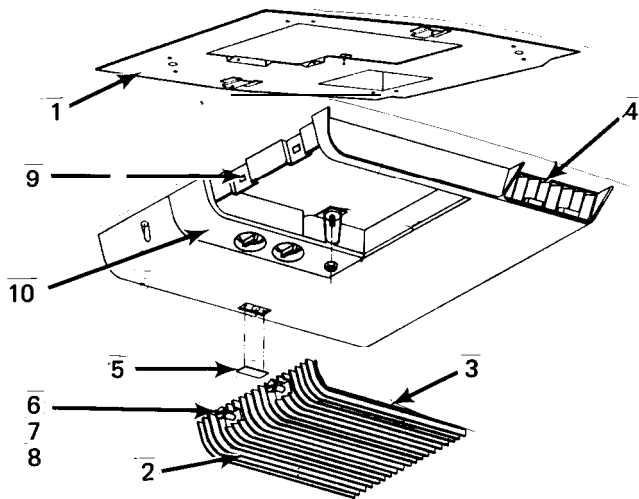
FOR SUNCHASER
548 and 558 Series
Prior to 6-1-83



1. 3-14931 Roof Flashing
(Includes Foam Tape & Sealant)
2. 3-11300-001 Foam Tape (per foot)
8 feet required- per unit
3. 3-8181 Sealant (per roll)
1 roll required (per roll)
4. 3-8421 Return Air Duct (not shown)

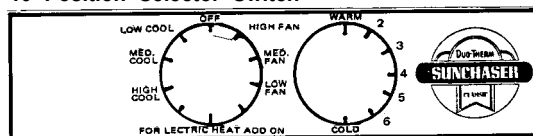
Air Box Components

1. 3-15427 Ceiling Template
- 2-9. 3-16810 Air Box, less Decal
2. 3-8047 Return Air Grille
3. 3-8166 Return Air Filter
4. 3-10138 Louver Assembly (2 req.)
5. 3-16659 Cover Plate
6. 3-11673 Latch Stud
7. 3-11674 Latch Stud Spring
8. 3-11675 Stud Retainer
9. 3-11672 Latch Receptacle
- 10: See Right Air box decal

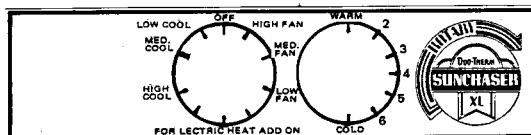


Air Box Decals

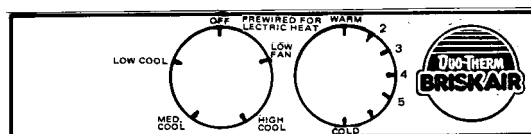
3-16475 for 548 Series
Dark Elm Woodgrain
10 Position Selector Switch



3-16476 for 558 Series
Dark Elm Woodgrain
10 Position Selector Switch

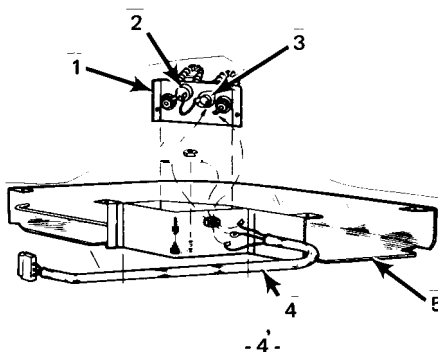


3-16565 for 557 and 559 Series
Light Walnut Woodgrain
5 Position Selector Switch



3-15603 OPTIONAL ELECTRIC HEAT KIT

1. 3-13642 Heat Element
(Includes Fuse Link)
2. 3-15068 Fuse Link
3. 3-13629-001 Limit Switch
4. 3-13590 Wire Harness
5. 3-13588 Heat Shield
6. 3-16516 Decal for 548-558 Series
- 3-16521 Decal for 557-559 Series



MISC. PARTS BAG

(Includes miscellaneous nuts and screws,
3-13650 Junction Box Cover, and 4
mounting bolts. Mounting bolt length
will depend on Part No. used to order:

PARTS BAG	FOR ROOF THICKNESS
3-1 3804-000	2 1/4" to 4" (Standard)
3-1 3804-001	1" to 2 1-4"
3-1 3804-002	3 3-4" to 5 1/4"
3-1 3804-003	5 1/4" to 6 1-4"

Manual provided courtesy
Bryant RV Services
www.byantrv.com

All manuals are believed to be released for distribution, and/or in the public domain.

Service manuals provided with the understanding that persons using them are well versed in proper safety practices, and are familiar with basic safety procedures, including, but not limited to safety procedures dealing with 120 volt electricity, high amperage 12 volt circuits an LPG (propane) systems.

If in doubt, consult a professional (better safe than sorry).