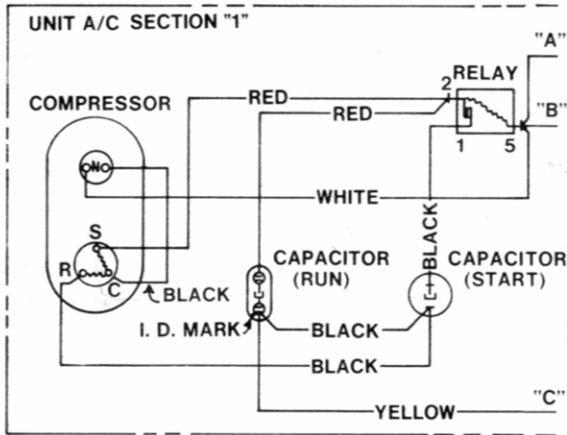
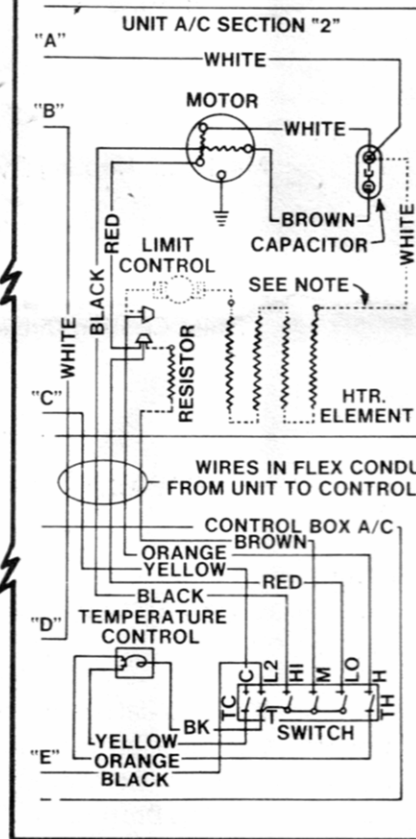


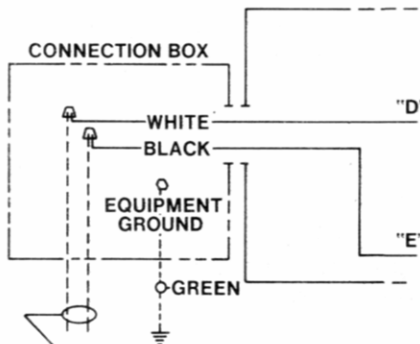
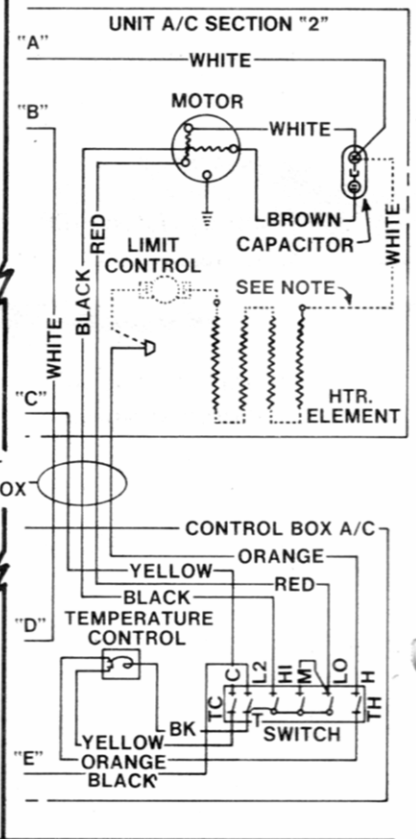
USE THIS SECTION
FOR ALL SCH R.V. AIR CONDITIONERS



USE THIS SECTION FOR
SCH-12, SCH-12H
SCH-13.5,
SCH-13.5H



USE THIS SECTION FOR
SCH-10, SCH-10H



TO 115V-SINGLE PHASE 60 CYCLE
POWER SUPPLY (20 AMP. MIN. AMPACITY)

NOTE:
WIRING INDICATED BY DOTTED LINES
ON THIS DRAWING WILL BE FOUND
ONLY ON UNITS WITH
HEATING ELEMENTS INSTALLED.

