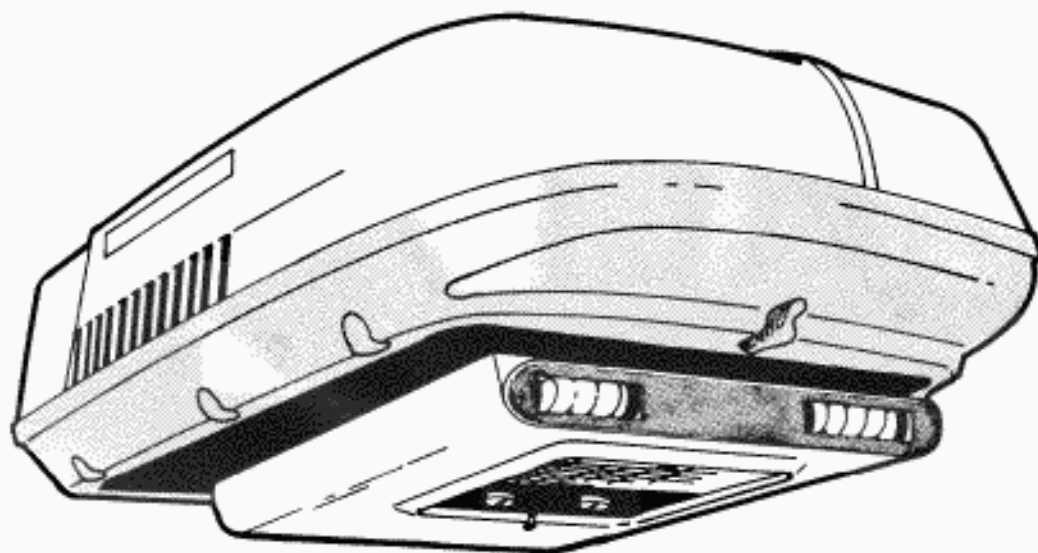


ROOF-MOUNT AIR CONDITIONER

For R.V. Unit Models EQK 1100 and EQK 1350

EMERSON QUIET KOOL®



INSTALLATION AND PARTS MANUAL

This Booklet Identifies The Parts In Models EQK 1100 and EQK 1350
And Must Be Used When Replacement Parts Are Ordered.

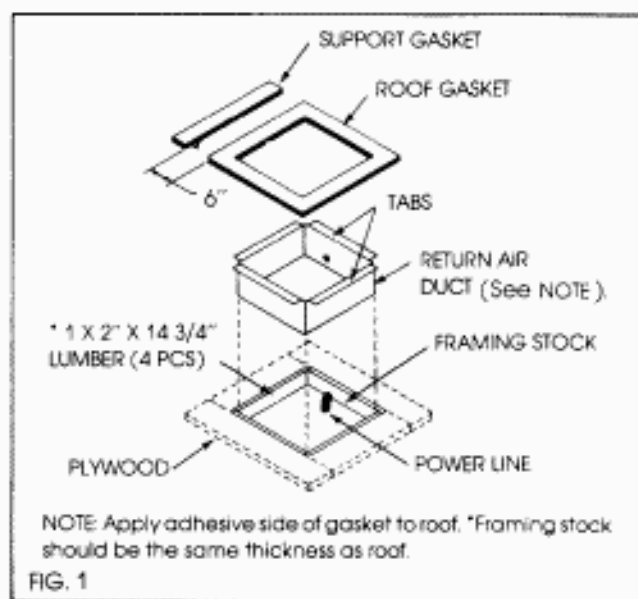
PRE-WIRED FOR OPTIONAL HEATER ACCESSORY KIT
Model EQK 5600H is Available For Field Installation

INSTALLATION INSTRUCTIONS

For vehicles equipped with roof vent, remove vent and inside trim. Be sure vent opening measures 14" x 14" after removal. If no vent opening exists, an opening will have to be cut in the roof. An existing opening smaller than 14" x 14" will have to be enlarged. (When enlarging an existing opening, be careful not to cut existing power supply line).

It will be necessary when cutting an opening or enlarging an existing opening to make the rough opening larger than 14" x 14" and then frame with 1" x 2" x 14 3/4" lumber to a finished opening size of 14" x 14" (See Fig. 1). Drill hole in one side of framing stock for power supply line.

It is suggested in some applications where the roof structure does not provide adequate support that 1/4" plywood be placed around outer edges of opening, under the metal roofing (See Fig. 1).



NOTE: The 14" x 14" roof opening is part of the return air system and must be finished (with metal flashing) in accordance with NFPA Standard 501c, Standard For Recreational Vehicles, Section 2.7. Kit A70091 is available thru your dealer.

Run power line to vent or roof opening. If vent fan was removed, the existing wire may be used providing it complies with the American National Standards Section A-119-1 or any revisions thereof and the National Electric Codes.

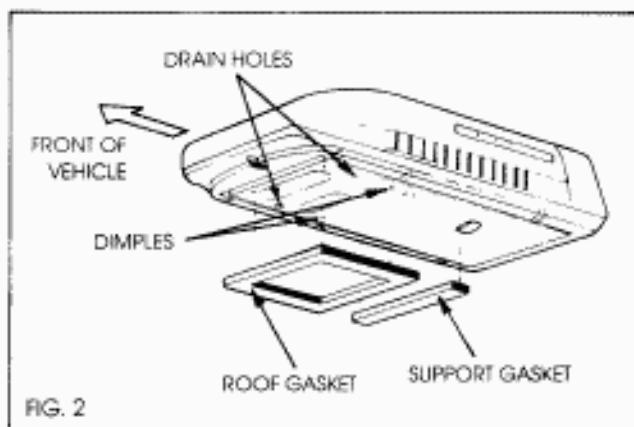
CAUTION: TO PREVENT ELECTRICAL SHOCK, BE SURE CIRCUIT BREAKERS ARE OFF BEFORE PROCEEDING WITH INSTALLATION.

WARNING: IMPROPER INSTALLATION CAN CAUSE A SHOCK AND/OR FIRE HAZARD WHICH CAN RESULT IN INJURY OR DEATH.

The power line should be a separate circuit utilizing a 20 AMP minimum * HACR type circuit breaker. The wire size for the supply line for distances up to 24 Ft. should be No. 12 AWG with ground. USE COPPER WIRE ONLY.

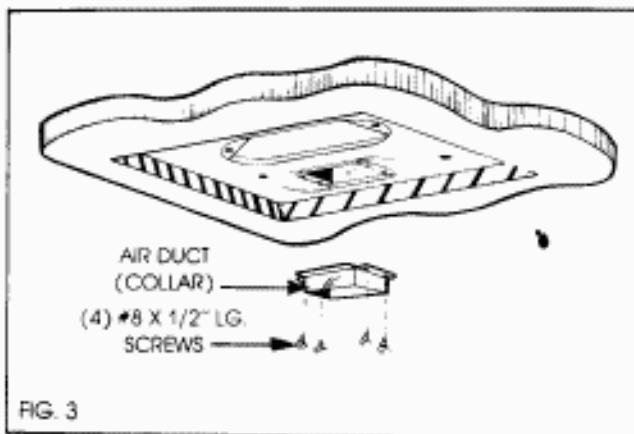
To mount roof gasket (See Fig. 1), peel off protective paper from the adhesive side of gasket. Center gasket over roof opening, adhesive side down. Peel off protective paper on support gasket and place this strip 6" back from mounting gasket towards rear of coach (See Fig. 1).

Align the air conditioning unit (See Fig. 2) over the mounting gasket using the recessed dimples located on the bottom of the unit. Place each dimple in a corner of opening for alignment. Make sure that the two drain holes are located away from the gasket to assure drainage onto roof of coach.



If Heater Accessory Kit has been purchased, install at this point.

Fasten collar in place with (4) #8 x 1/2" long screws (See Fig. 3).

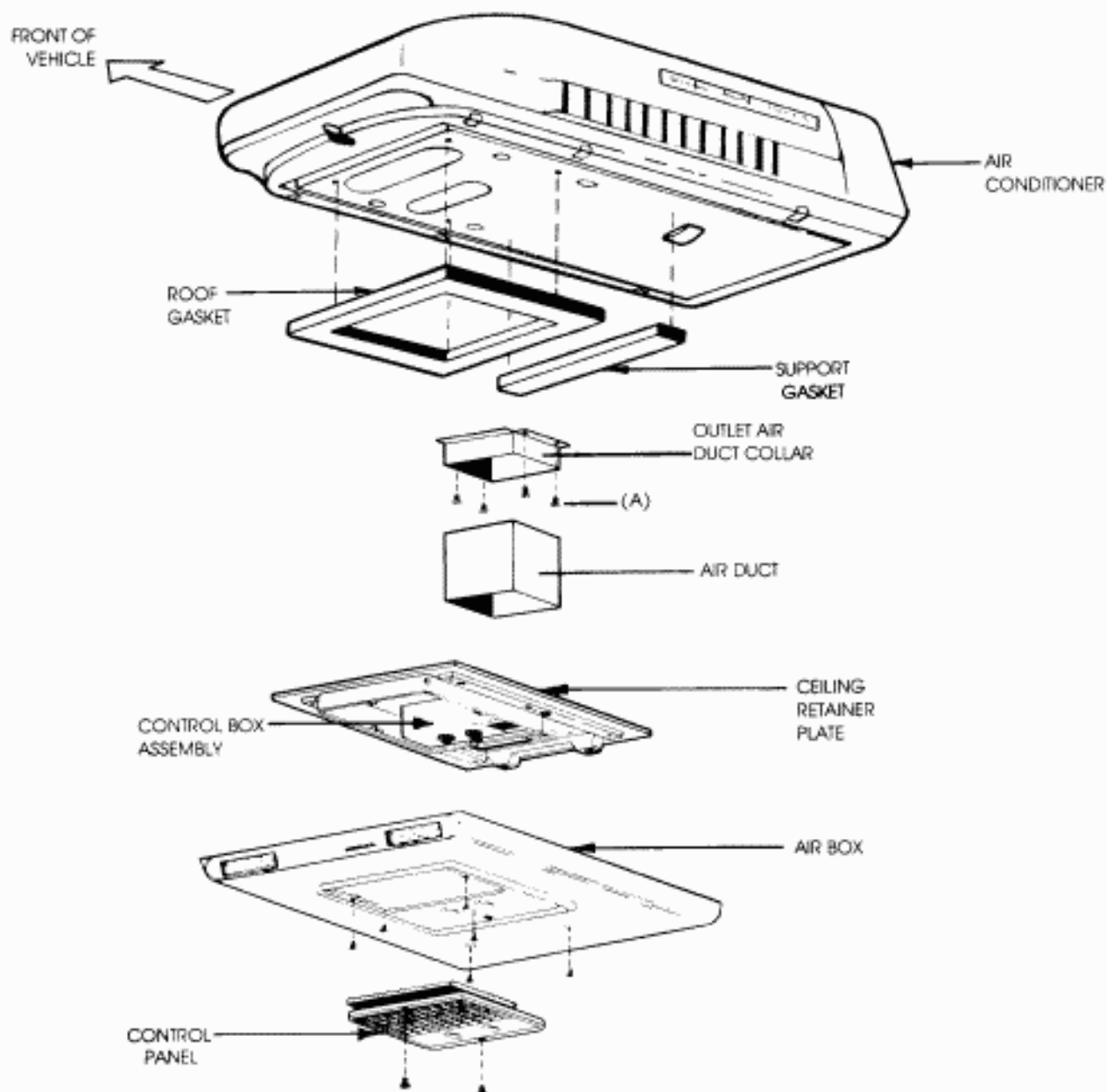


CAUTION: WHEN HANDLING SPECIAL FIBERGLASS AIR DUCT PLEASE USE GLOVES AND WEAR GLASSES.

Disassemble Control Panel, Air Box and Retainer Plate (Discard Packaging).

*HACR circuit breakers not applicable in Canada.

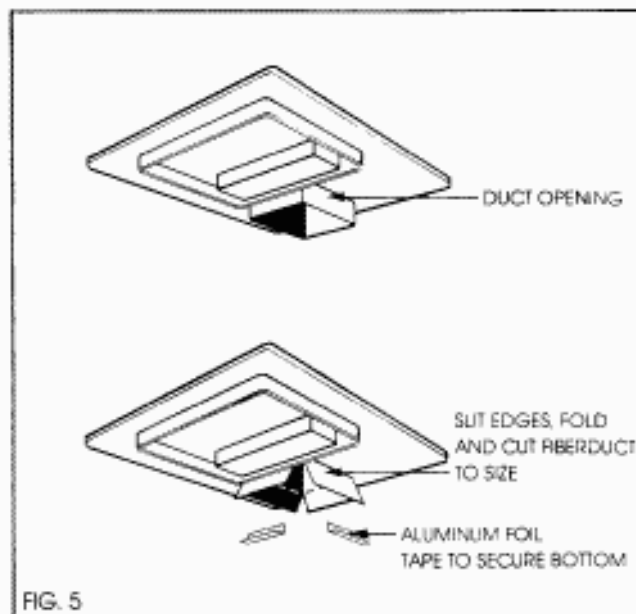
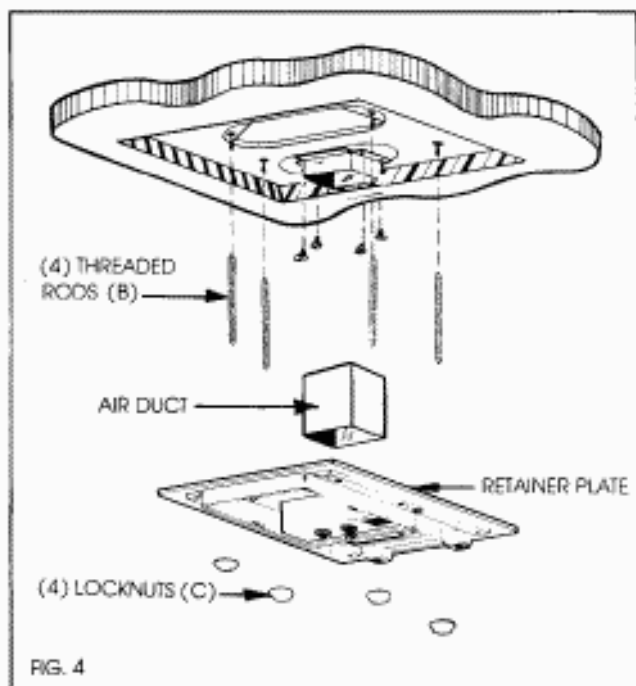
PARTS



MOUNTING PARTS

DESCRIPTION	QTY.
(A) #8 X 1/2" LG. SCREW	4
(B) 5/16 - 18X8" LG. THRD ROD (SEE FIG. 5)	4
(C) 5/16 - 18 NUT W/ WASHER (SEE FIG. 5)	4
(D) #8X3/8" LG. SCREW POINT	1
(E) WIRE NUT (SEE FIG. 5)	2
(F) WIRE CLAMP (SEE FIG. 5)	1
(G) CONTROL BOX ACCESS PLATE (SEE FIG. 6)	1

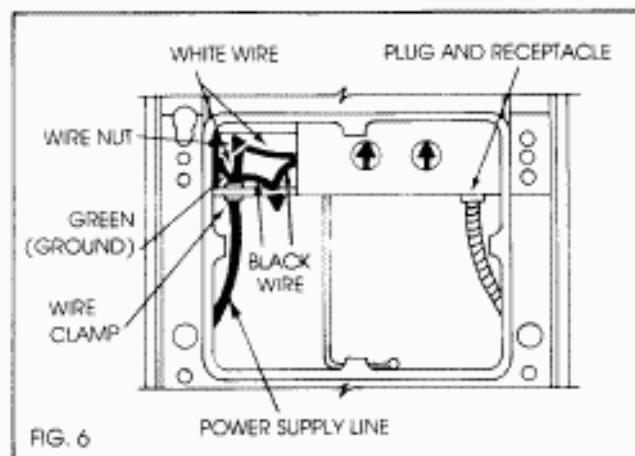
INSTALLATION AND WIRING



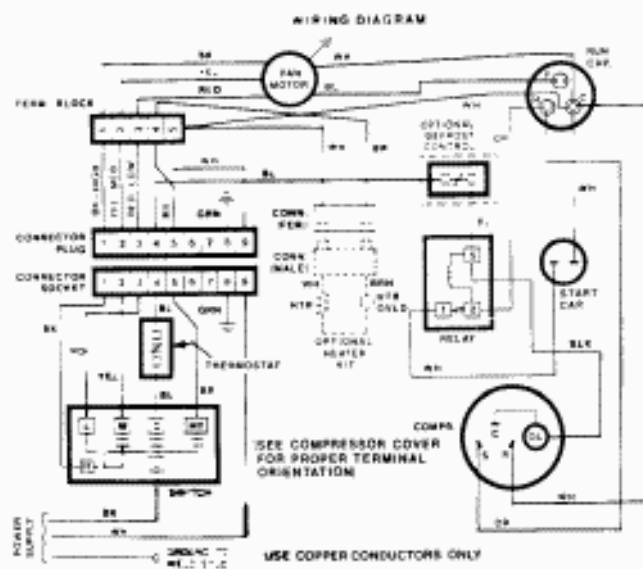
Install (4) threaded rods approximately five turns (See Fig. 4). Slide air duct onto collar seating air duct into clips and hold in place. Position retainer plate onto threaded rods and against ceiling allowing air duct to slide through supply opening in retainer plate. Add locknuts to threaded rod and tighten down evenly to assure a secure seal on the roof. CAUTION: Do not over tighten to prevent damage to vehicle roof and air conditioner. In corners of air duct, fold over excess and trim flush with retainer plate. Secure bottom of air duct by taping the seams to retainer plate with aluminum tape supplied, ensuring a proper fit.

Bring electrical plug from inside base pan through ceiling opening and connect to receptacle located on side of control box (See Fig. 6). Slide wire clamp onto power supply line and clamp into hole provided in control box. Connect black wire in control box to black wire from power supply line (wire nuts provided in parts bag). Connect white wire in control box to white (neutral) wire from power supply line. Connect the green wire (ground) from the power supply line to the identified ground lug in control box. Install control box access plate with (1) #8 x 3/8" Lg. blunt point screw.

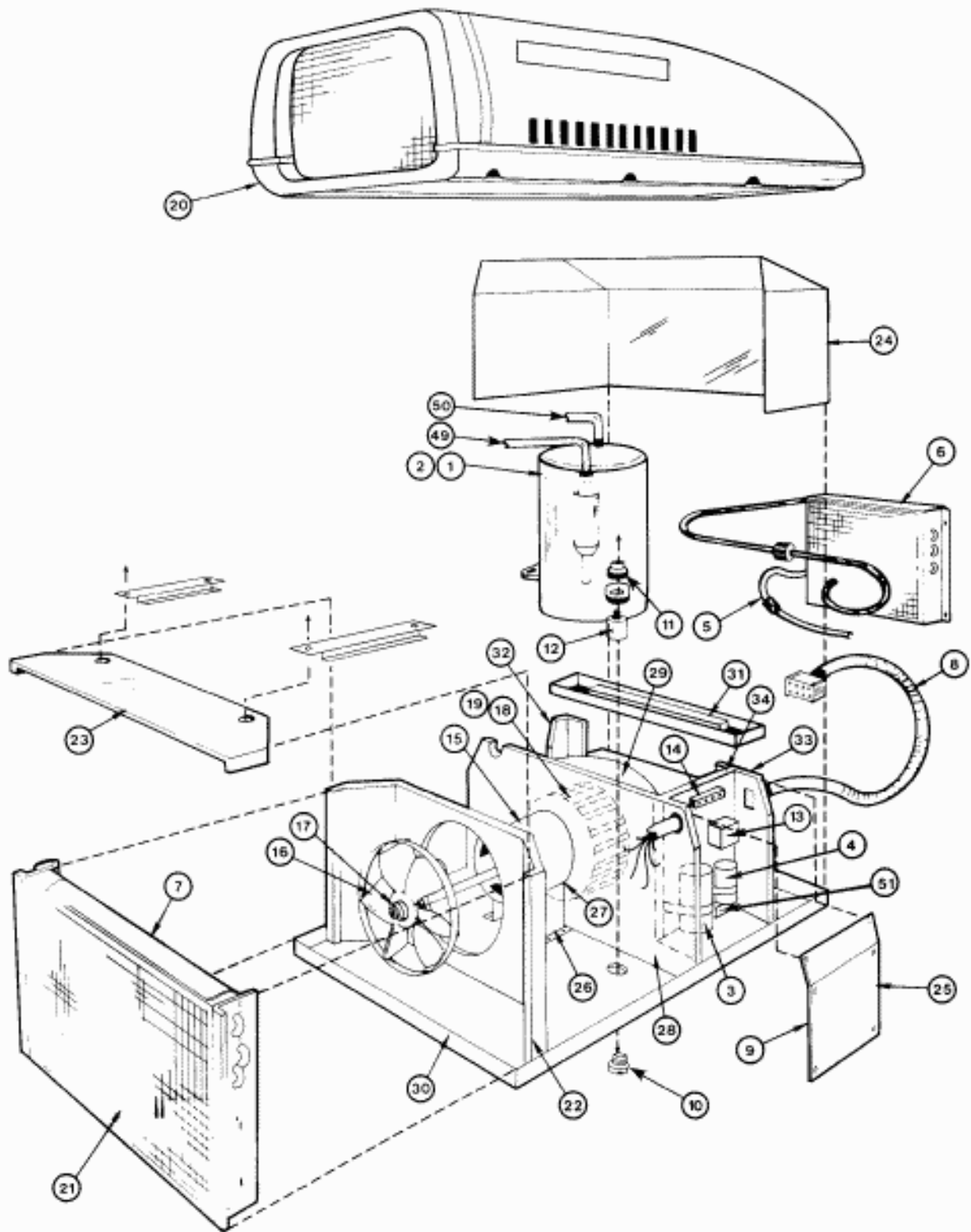
CONTROL BOX ACCESS PLATE



Reassemble air box to retainer plate. Install control panel. Turn on power supply.

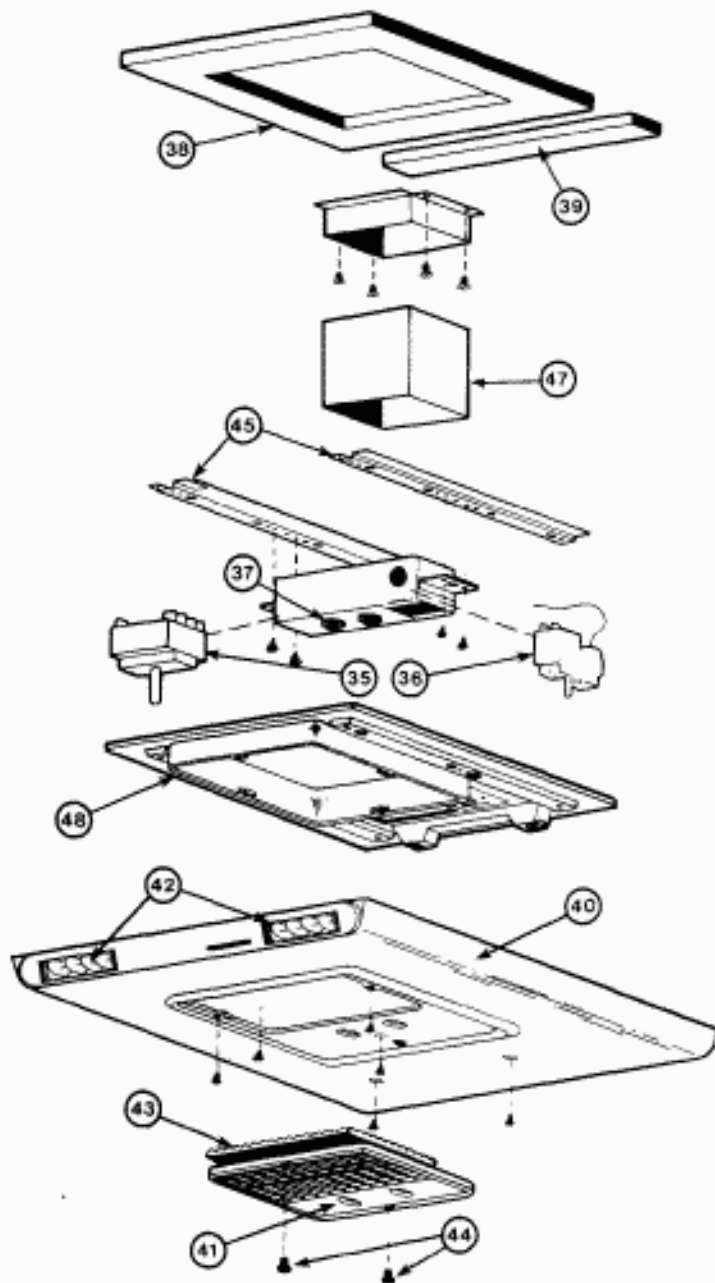


ROOF-MOUNT AIR CONDITIONER PARTS



EMERSON QUIET KOOL

PARTS LIST INDEX



MODEL NO.	ITEM NO.	PART NO.	DESCRIPTION
EGK 1100	1	P11302	COMPRESSOR W/OIL
	2	E12166	OVERLOAD
	3	E47318	RUN CAPACITOR
	4	E45205	START CAPACITOR
	5	T10633	CAPILLARY
	6	T60091	EVAPORATOR COIL
	7	T51187	CONDENSER COIL
EGK 1350	1	P11300	COMPRESSOR W/OIL
	2	E12151	OVERLOAD
	3	E47316	RUN CAPACITOR
	4	E45206	START CAPACITOR
	5	T10629	CAPILLARY
	6	T60093	EVAPORATOR COIL
	7	T51188	CONDENSER COIL
COMMON	8	A60131	WIRE HARNESS
	9	N22761	WIRING DIAGRAM
	10	Y03215	BOLT 5/16-18
	11	Y13563	NUT 5/16-18
	12	R10771	GROMMET
	13	E11271	RELAY
	14	E16391	TERMINAL BLOCK
	15	M15580	MOTOR
	16	F12021	CONDENSER FAN
	17	Y20871	FAN CLAMP
	18	F11601	BLOWER WHEEL
	19	Y21271	BLOWER WHEEL CLAMP
	20	A60151	SHROUD ROOFTOP ASSEMBLY
	21	S42551	REAR GRILLE
	22	J22741	CONDENSER FAN HOUSING
	23	S38743	CONDENSER COVER
	24	A20831	EVAPORATOR COVER ASSEMBLY
	25	S43591	JUNCTION BOX COVER
	26	S43901	MOTOR MOUNTING BRACKET
	27	S35361	MOTOR CRADLE (2 PER)
	28	S43891	PARTITION
	29	J25921	BLOWER HOUSING ASSEMBLY
	30	S43921	BASE PAN
	31	J22302	DRAIN PAN
	32	S40571	PARTITION RIGHT SIDE
	33	S41851	PARTITION LEFT SIDE
	34	S41821	JUNCTION BOX BACK
	35	E30621	SELECTOR SWITCH
	36	E40441	THERMOSTAT
	37	J24862	CONTROL KNOB
	38	R14541	MOUNTING GASKET
39	L16491	SUPPORT GASKET	
40	A60094	AIR BOX ASSEMBLY	
41	A60073	CONTROL PANEL ASSEMBLY	
42	A60052	LOUVER ASSEMBLY	
43	L10521	FILTER	
44	Y15091	THUMB SCREW	
45	S40821	CHASSIS SUPPORT	
46	J24391	AIR DUCT COLLAR	
47	L20031	AIR DUCT	
48	A60081	CEILING ASSEMBLY	
49	T80012	SUCTION TUBE (3/8 O.D.)	
50	T80312	DISCHARGE TUBE (5/16 O.D.)	
51	E40451	DEFROST THERMOSTAT (optional)	

INSTALLATION INSTRUCTIONS FOR HEATER ACCESSORY KIT (EQK 5600H)

Available From Your EMERSON QUIET KOOL DEALER As An Option For
ROOF-MOUNT AIR CONDITIONER

INSTALL BEFORE STARTING PG. 3 IN YOUR AIR CONDITIONER INSTALLATION AND PARTS MANUAL.

Remove control panel from air distribution box. Disassemble air box housing by removing (6) #8 x 1/2" Lg. screws. Slide thermobulb out from holder and remove (6) #8 x 1/2" Lg. screws holding ceiling plate in place. Disassemble control box from channel supports by removing (4) #8 x 1/2" Lg. blunt point screws (See Fig. 1). Let control box hang down inside coach.

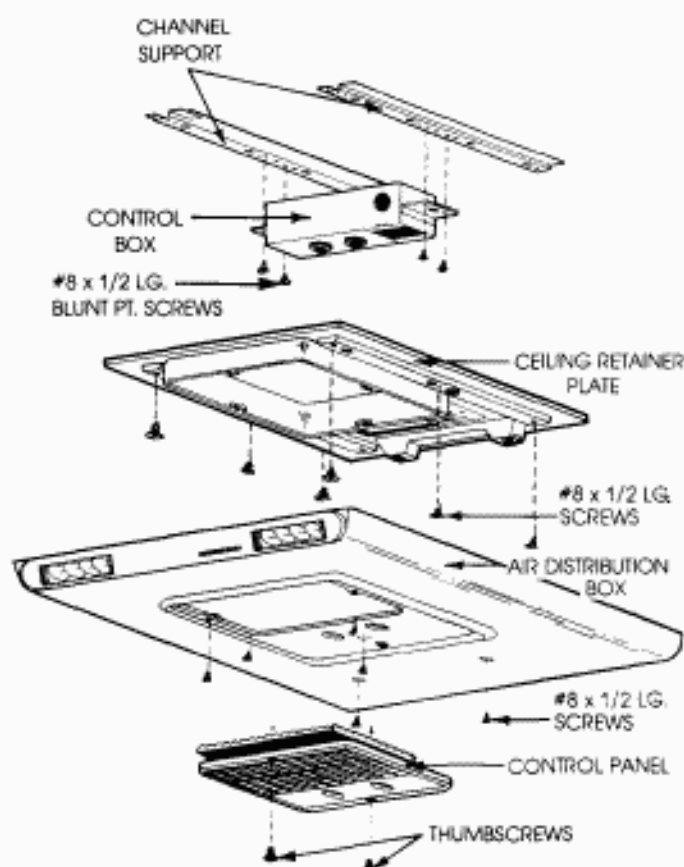


FIG. 1

Tilting heater upward (See Fig. 2), slide through channel supports and base pan. Position heater into weld studs provided on partition (See Fig. 2). While holding heater in place with one hand, attach hex nuts to weld studs. Tighten down nut with ratchet. Using right hand, grasp heater plug and insert into connector located on partition. NOTE: If plug does not insert, rotate 180° (See Fig. 3).

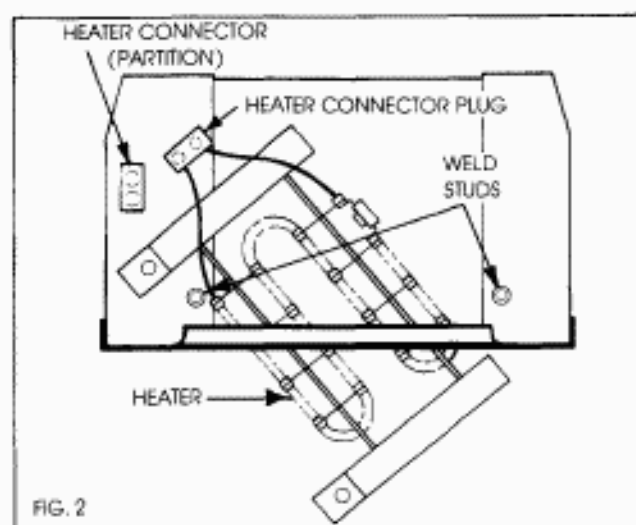


FIG. 2

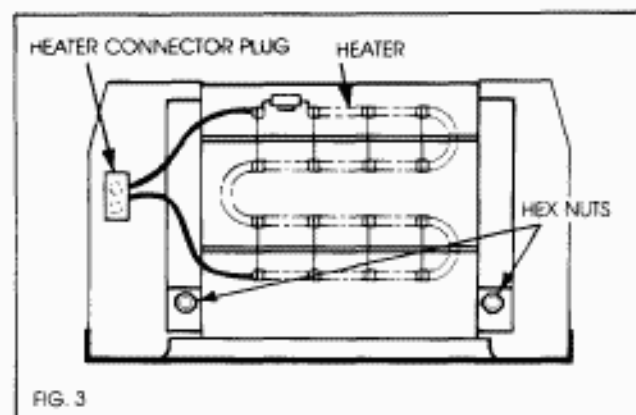


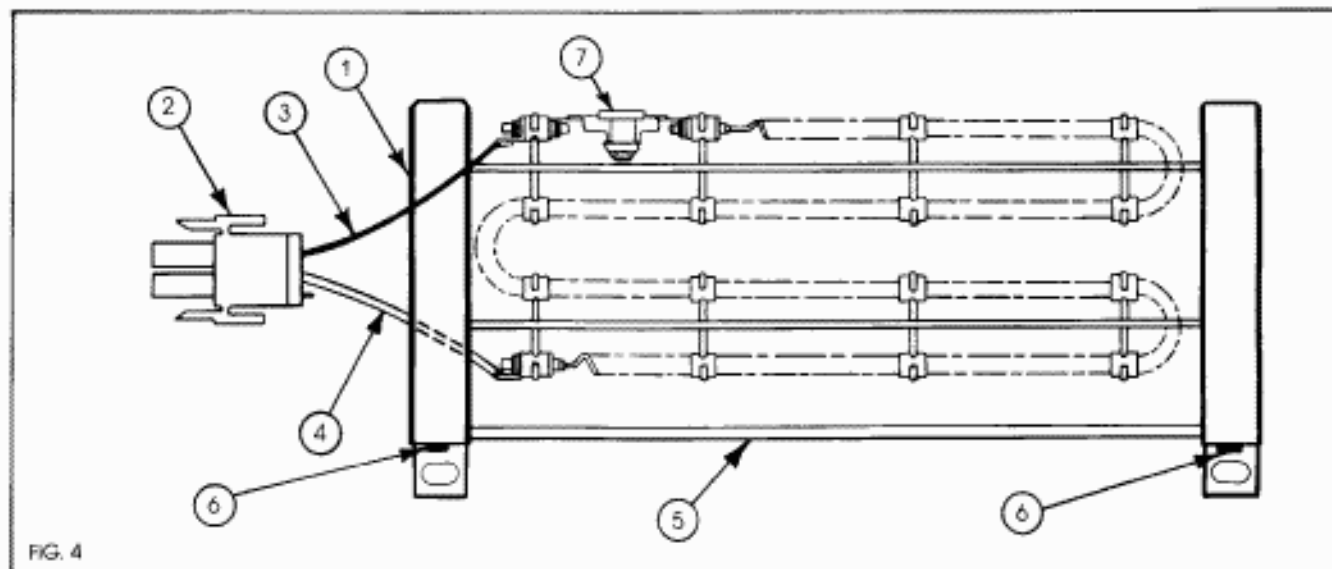
FIG. 3

After heater is installed, reattach control box to channels, being sure to use (4) #8 x 1/2" Lg. blunt point screws. Reassemble ceiling plate, air box housing and control panel respectively. Make sure to place thermobulb back into holder.

EMERSON QUIET KOOL®

HEATER ACCESSORY KIT (EQK 5600H)

PARTS LIST



ITEM	PART NO.	NAME - OF - PART	QUANTITY
1	E50192	Heater	1
2	E16461	Connector Housing	1
3	E18492	Jumper Wire (Brown)	1
4	E18491	Jumper Wire (White)	1
5	S40611	Heater Shield	1
6	Y05154	Screw	2
7	E12115	Heater Overload	1

PRODUCT SPECIFICATIONS

	<u>EQK 1100</u>	<u>EQK 1350</u>
Heating Capacity (BTU/HR)	5600	5600
Full Load Amps	16.0	16.0
Volts-AC	115	115
Min. Circuit Ampacity (with heater)	20.0	20.0



EMERSON QUIET KOOL CORPORATION

R. V. Products Group
25416 CR6 East #114

Elkhart, Indiana 46514-5422

219-262-1787

EMERSON QUIET KOOL