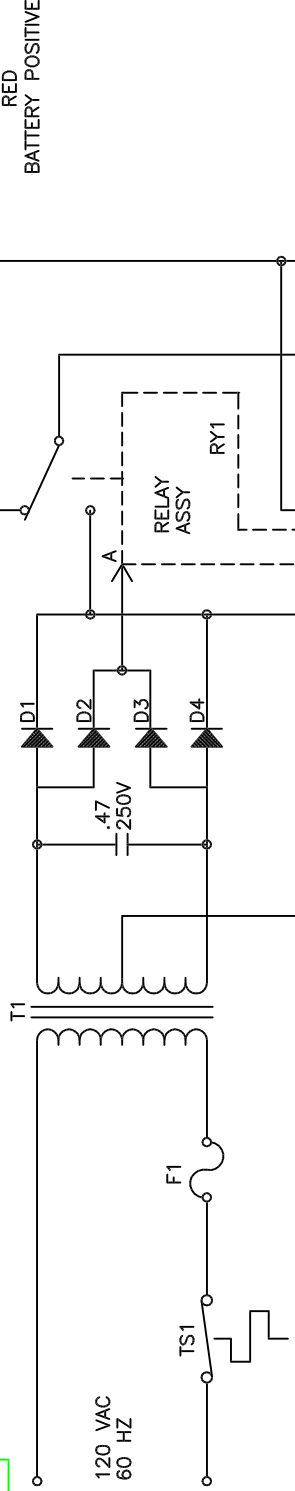
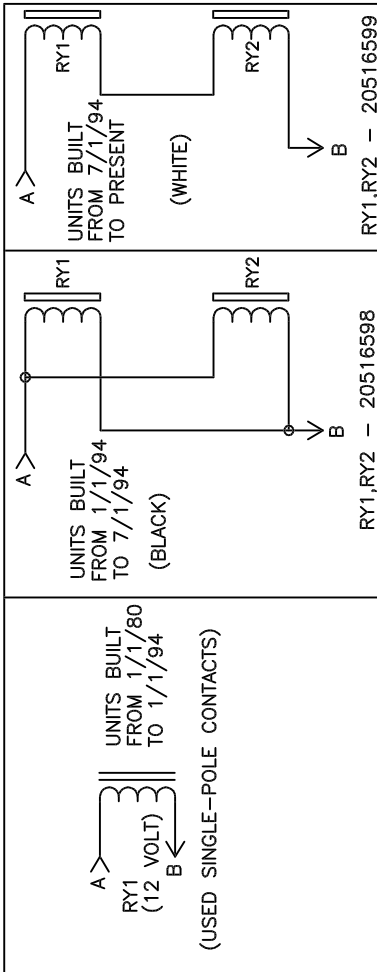


DWG. NO.
00000015



REF.	DESCRIPTION	PART #
TS1	THERMAL PROTECTOR	09527072
F1	10 AMP SLO-BLO	09506140
T1	TRANSFORMER	8956
D1,D4	MR5040,50A 1000V	18506803
D2,D3	IN4007,6A 1000V	18506647
*Q1	SCR S 1025R	18526667
*R1	.3 Ω 30 WATT	16506517
*CB1	10A 12VDC	20506573
RY1,RY2	SEE BELOW	
*P.C.B.	CHARGER BOARD	91500049



REV.	CHANGE	DATE
A	RELEASED	1/25/94
B	REVISED RMA	12/16/94

UNLESS OTHERWISE SPECIFIED DIMENSIONS ARE IN INCHES:
 TOLERANCES
 X/X=#1/64 .XX=#.01
 .XXX=#.005 .X=#0° 30'
 THIS DRAWING CONTAINS INFORMATION PROPRIETARY TO MAGNETEK. ANY REPRODUCTION, DISCLOSURE OR USE OF THIS DRAWING IS EXPRESSLY PROHIBITED EXCEPT AS MAGNETEK MAY OTHERWISE AGREE IN WRITING.

THIRD ANGLE PROJECTION

 MATERIAL NONE
 FINISH NONE



DWN BY *R. Barnes*
 N.T.S.
 CHK BY
 APVD BY

TITLE 3240C
 SCALE
 DATE 1/25/94

SIZE DRAWING NO. A
 00000015

