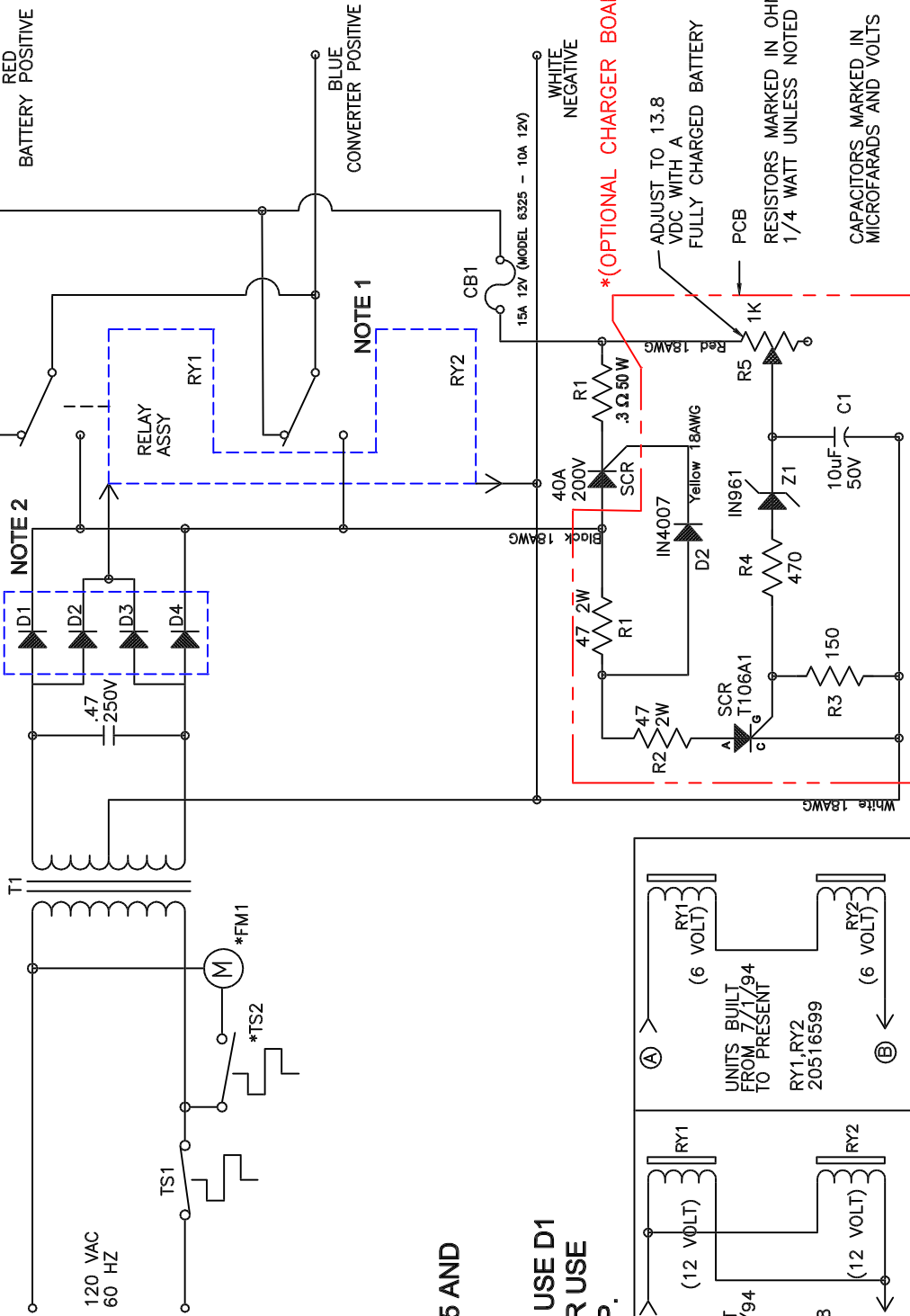
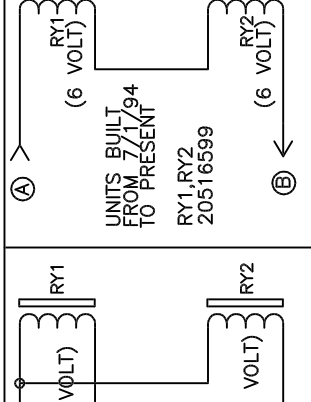


DWG. NO.
6300 SCH



- NOTES:**
- * NOT USED IN MODEL 6325
 - 1. SEE CHART BELOW.
 - 2. D1, D4 USED ON MODELS 6325 AND 6325.
 - 3. MODELS 6350, 6345, 6336 MAY USE D1 THROUGH D4 RATED 25 AMP OR USE D1 AND D4 ONLY RATED 50 AMP.



PARALLAX POWER COMPONENTS LLC.
112 E. UNION ST.
GOODLAND, IN 47948

MATERIAL: NONE
FINISH: NONE

THIRD ANGLE PROJECTION

UNLESS OTHERWISE SPECIFIED DIMENSIONS ARE IN INCHES:
TOLERANCES
X/X=#1/64 .XX=#.01
.XXX=#.005 \angle=#° 30'
THIS DRAWING CONTAINS INFORMATION PROPRIETARY TO MAGNETEK. ANY REPRODUCTION, DISCLOSURE OR USE OF THIS DRAWING IS EXPRESSLY PROHIBITED EXCEPT AS MAGNETEK MAY OTHERWISE AGREE IN WRITING.

REV.	CHANGE	DATE
A	RELEASED	1/25/94
B	REVISED RMA	12/20/94
C	REVISED WRW	7/26/01

TITLE: 6300
SCHEMATIC A

SCALE: NONE
DATE: 7/26/01

DWN BY: R. Barnes
CHK BY:
APVD BY:

SIZE: DRAWING NO.
6300 SCH