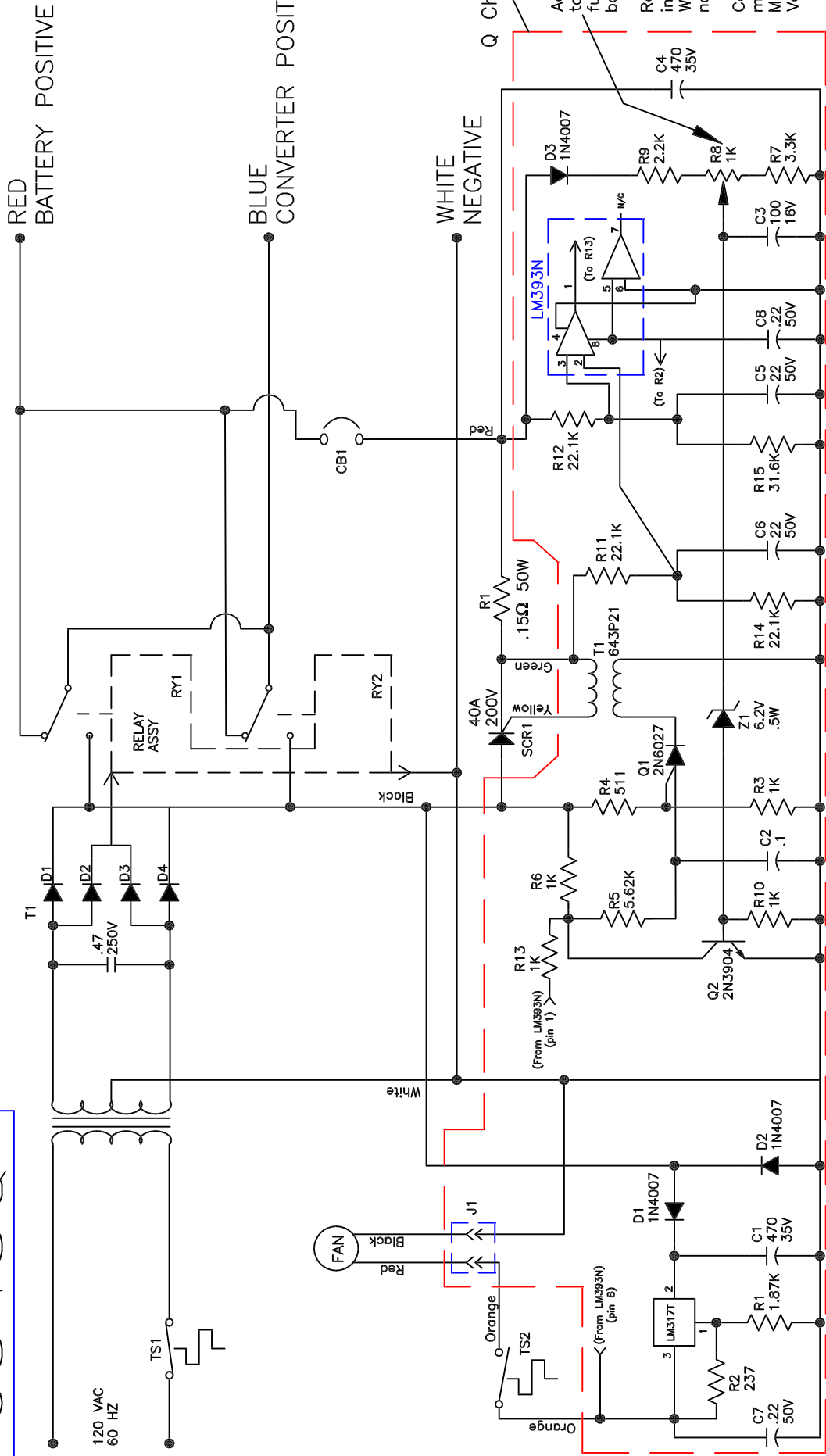


DWG. NO.

6345Q



Q Charger Board
 Adjust from 13.8 to 14.2 with a fully charged battery
 Resistors marked in Ohms 1/4 Watt unless noted
 Capacitors marked in Microfarads and Volts

REV. A	CHANGE RELEASED	DATE	UNLESS OTHERWISE SPECIFIED DIMENSIONS ARE IN INCHES. TOLERANCES X/XX=1/64 .XX=01 .XXX=005 → =0° 30'	THIRD ANGLE PROJECTION	MATERIAL NONE FINISH NONE	PARALLAX POWER COMPONENTS L.L.C.
APVD BY	CHK BY	DWN BY <i>W. White</i>	SCALE N.T.S.	TITLE 6345Q	SIZE DRAWING NO. 6345Q	ACAD FILENAME: 6345Q
			DATE 7/31/01	SCHEMATIC A		