

DUO-THERM[®]

OPERATING INSTRUCTIONS

For Models 54412-003 and 54412-004
Self-Contained Air Conditioners

OWNER'S INSTRUCTIONS

SPECIFICATIONS

B.T.U.	11,000 PER UNIT
VOLTS	115V
KILOWATTS	2.0 PER UNIT
BRANCH CIRCUIT AMPACITY	MIN. 24 AMP. PER UNIT
RUN AMPS.	16.7 PER UNIT
MIN. GENERATOR	3500 WATT PER UNIT*
FUSE SIZE	20 AMP. MINIMUM, 25 AMPS. MAXIMUM PER UNIT
REFRIGERANT CHARGE	19.5 (R22) PER UNIT

**NOTE: Use a 5000 watt generator for (2) units.*

This system consists of two units. Either or both units can be operated, depending on the amount of cooling required.

OPERATING INSTRUCTIONS

1. Set thermostats at desired temperature.
2. Set fan switches in desired position.

HI-FAN	HIGH SPEED FAN ONLY
MED.-FAN	MED. SPEED FAN ONLY
LOW-FAN	LOW SPEED FAN ONLY
HI-COOL	HIGH SPEED FAN WITH COOLING
MED.-COOL	MED. SPEED FAN WITH COOLING
LOW-COOL	MED. SPEED FAN WITH COOLING

3. To completely shut down units, place fan switches in the "OFF" position.

IMPORTANT

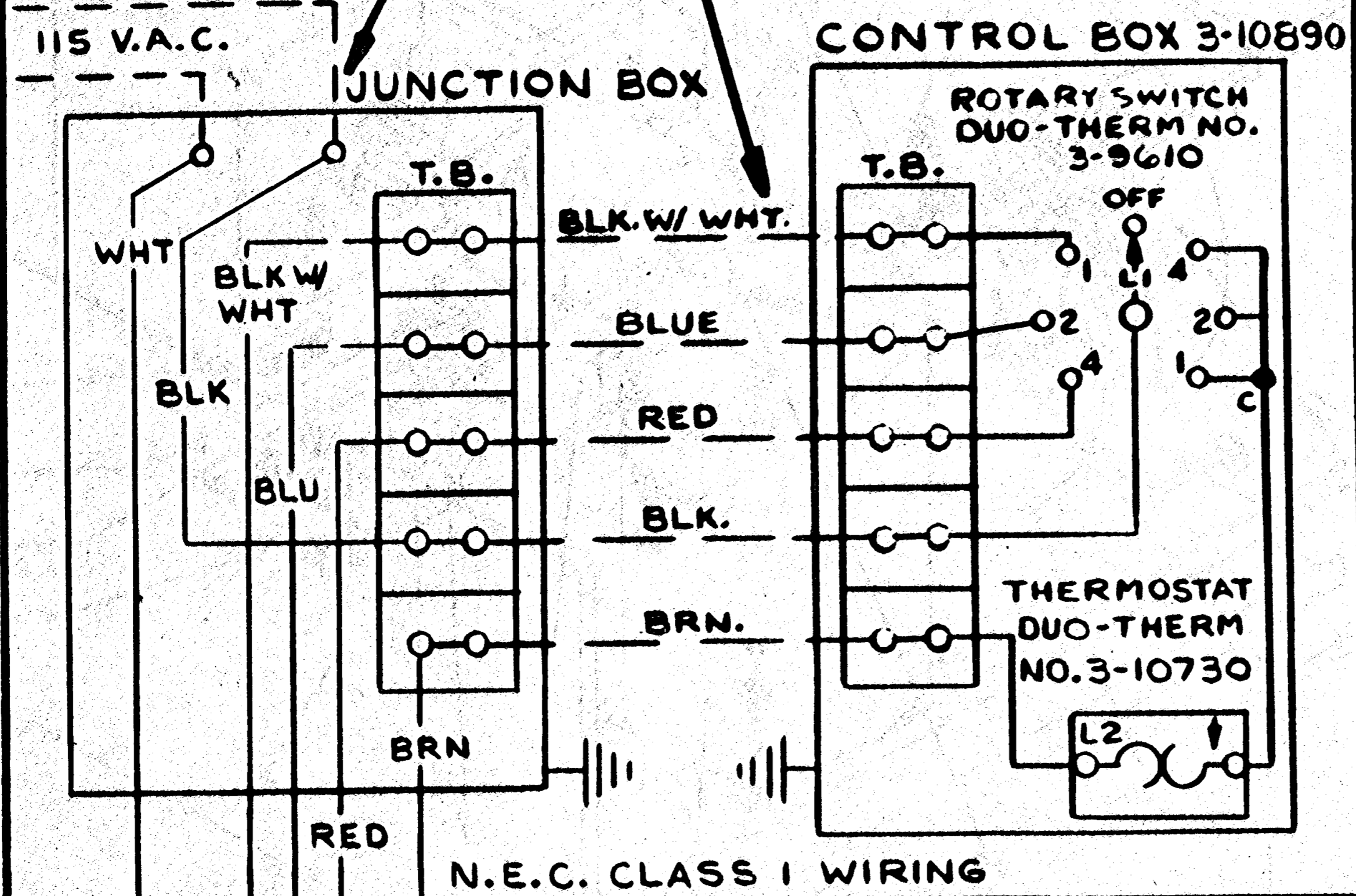
CLEANING COIL: PERIODICALLY REMOVE PANEL FROM FRONT OF AIR CONDITIONER (INSIDE VEHICLE) AND VACUUM THE COIL TO REMOVE DUST AND LINT. IF COIL IS COMPLETELY PLUGGED, UNIT MAY HAVE TO BE REMOVED FROM VEHICLE TO BE CLEANED.

SERVICE CHECKS:

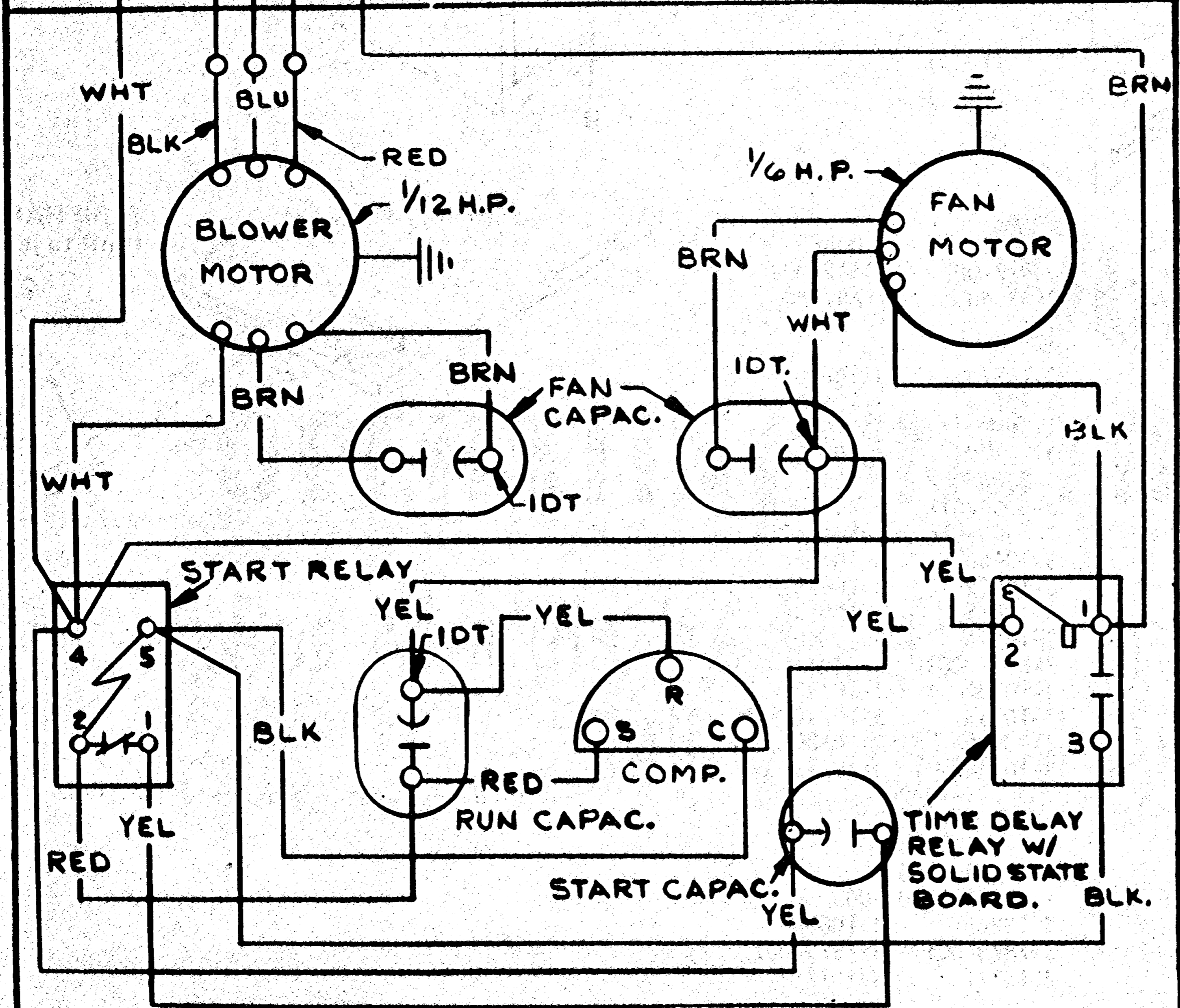
1. Be sure power is turned on.
2. Check for blown fuses.
3. Check thermostat and fan switch setting.
4. Check evaporator coil for dust and lint.
5. Be sure registers are open.

THE DISCONNECTING MEANS SHALL BE WITHIN SIGHT OF THE CONTROLLER AND WITHIN SIGHT OF THE BLOWER MOTOR OR BE CAPABLE OF BEING LOCKED IN THE OPEN POSITION.

THE CONDUCTORS TO THE CONTROL BOX MUST BE 12 AWG FOR RUNS UP TO 25 FEET AND 10 AWG FOR RUNS OVER 25 FEET.



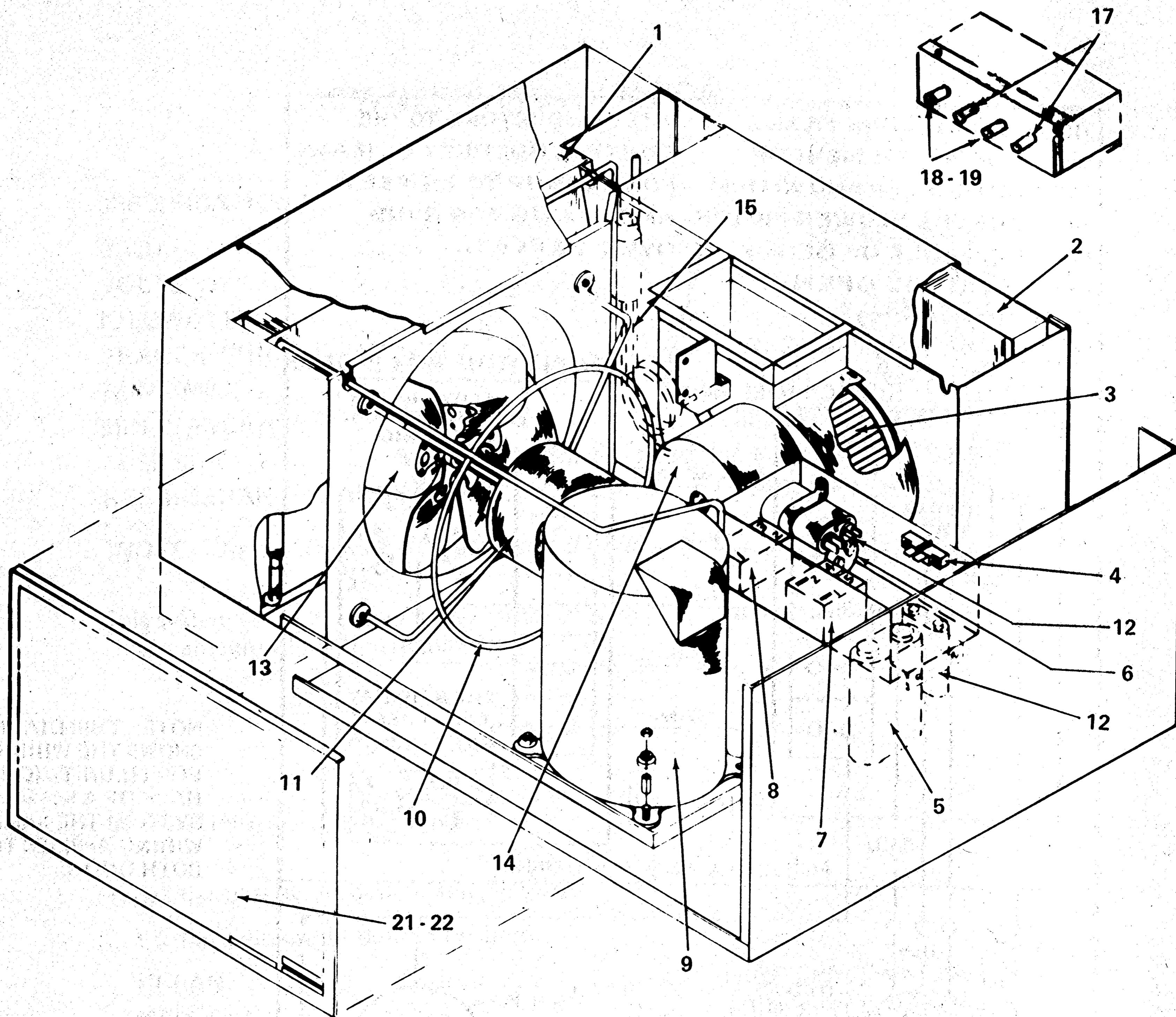
NOTE: THIS DIAGRAM SHOWS THE WIRING FOR (1) UNIT. (ONE HALF OF A 54424 SYSTEM) THE SAME WIRING APPLIES TO BOTH UNITS.



WIRING:
 FACTORY ———
 FIELD - - -

NOTE: FIELD WIRING CONNECTIONS ON TERMINAL BLOCK ARE IDENTIFIED BY WIRE COLOR.

PARTS LIST



INDEX NO.	DESCRIPTION	MODEL 54412-003 PART NO.	MODEL 54412-004 PART NO.
1	Condenser Coil	3-10714	3-10639
2	Evaporator Coil	3-10713	3-10640
3	Blower Wheel	3-10763	3-10660
4	Terminal Block	3-10776	3-10776
5	Run Capacitor	3-8087-012	3-8087-012
6	Start Capacitor	3-5046-011	3-5046-011
7	Start Relay	3-5040-016	3-5040-016
8	Time Delay	3-10456	3-10456
9	Compressor	3-10629	3-10629
10	Motor Mount	3-10613	3-10613
11	Fan Motor	3-10734	3-10700
12	Fan Capacitor	3-8087-003	3-8087-003
13	Fan Blade	3-10764	3-10737
14	Blower Motor	3-10735	3-10736
15	Capillary Tubes	3-10829	3-10829
16	Separator*	3-10748	3-10748
17-19	Control Panel	3-10890	
17	Fan Switch	3-9610	
18	Thermostat	3-10730	
19	Terminal Block*	3-9208	
20	Filter Drier Kit*	3-11107-005	
21	Grille	3-10699	3-10699
22	Screw	3-7879-001	3-7879-001
23	Wire Harness	3-10771	3-10771

*NOT SHOWN

DUO-THERM Division of Motor Wheel Corporation, LaGrange, Indiana 46761