

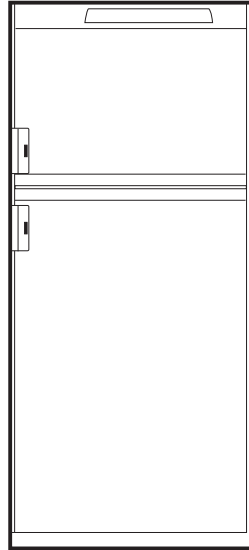


WHEN ORDERING SPARE PARTS, ALWAYS STATE:
 MODEL NO. — PRODUCT NO. — QUANTITY —
 PART NUMBER — DESCRIPTION
For Electric Details Also:
 VOLTAGE — WATTAGE



USA
 SERVICE OFFICE
 The Dometic Corp.
 509 So. Poplar St.
 LaGrange, IN 46761

CANADA
 Dometic Dist.
 866 Langs Dr.
 Cambridge, Ontario
 CANADA N3H 2N7



PRODUCT NO.	MODEL	MARKET	VOLTAGE	HINGE
921573001	RM2607	US, CA	120 V	LH
921573201	RM2607	US, CA	12/120 V	LH
921573101	RM2607	US, CA	120 V	RH
921573301	RM2607	US, CA	12/120 V	RH
921574001	RM2607	US, CA	12/120 V	LH
921574101	RM2607	US, CA	12/120 V	RH

PARTS LIST

REFRIGERATOR MODEL RM2607

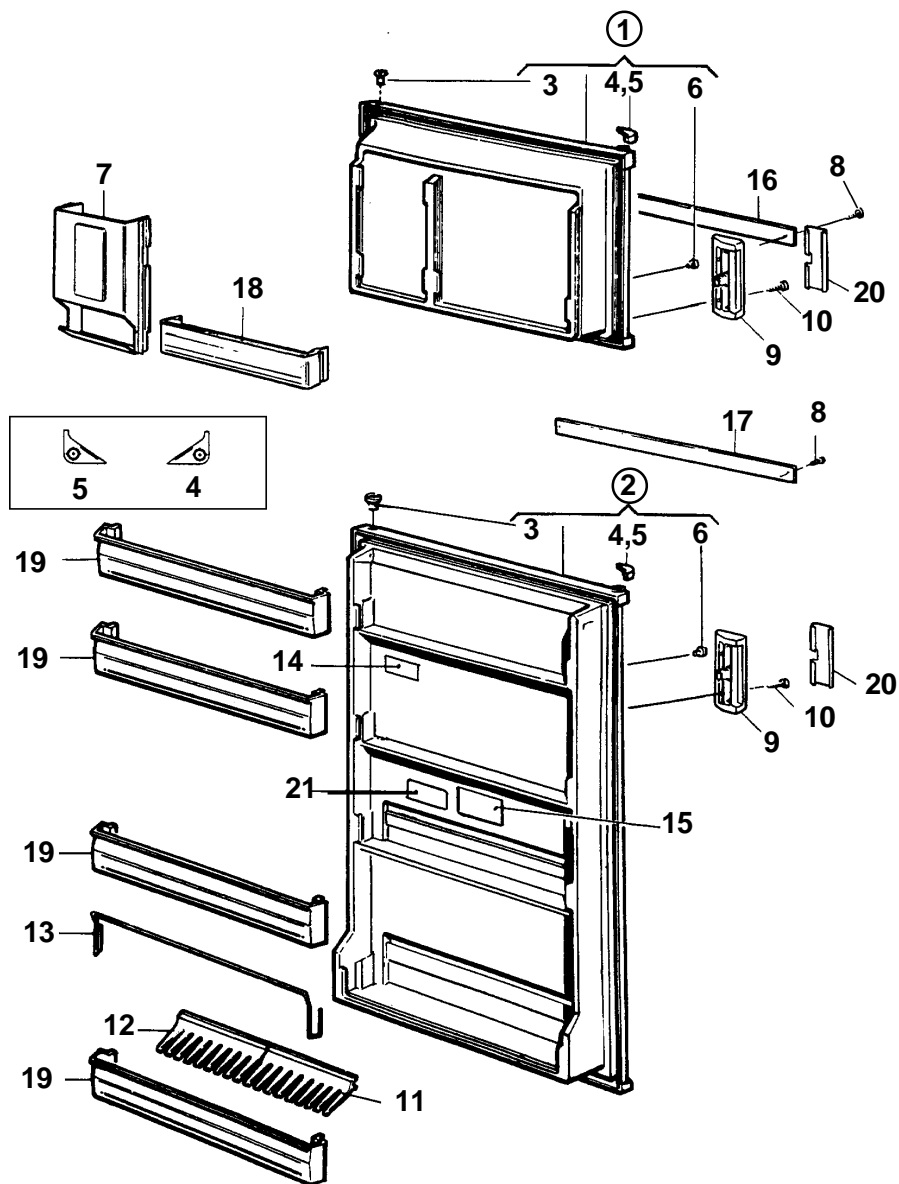
ALPHABETICAL INDEX

	Page	Index #
Burner & Controls	7	85—130, 146
Cabinet		
Front View	5	25—79, 106
Rear View	9	140—154
Doors	3	1—21
Wiring Diagrams	10-11	—

SPECIFICATIONS

PRODUCT NUMBER *	A – 2-WAY	B – 3-WAY
	921573001 921573101	921573201, 921574001 921573301, 921574101
Energy Sources **	120VAC, Gas	12VDC, 120VAC, Gas
AC Heating Element		
Amperage	2.5	2.5
Ohms Resistance	48	48
Wattage	295	295
DC Heating Element		
Amperage	— — —	17.9
Wattage	— — —	215
BTU's Gas Burner	1300	1300
Baffle: Size	6" x 3/4"	6" x 3/4"
Position	1-5/8" above burner	1-5/8" above burner
Ice Cube Trays	1	1
Crispers	2	2
Bottle Holders	2	2
<p>* Product number located on refrigerator data plate. ** 12 volt DC power is required to operate the refrigerator controls on all models.</p>		

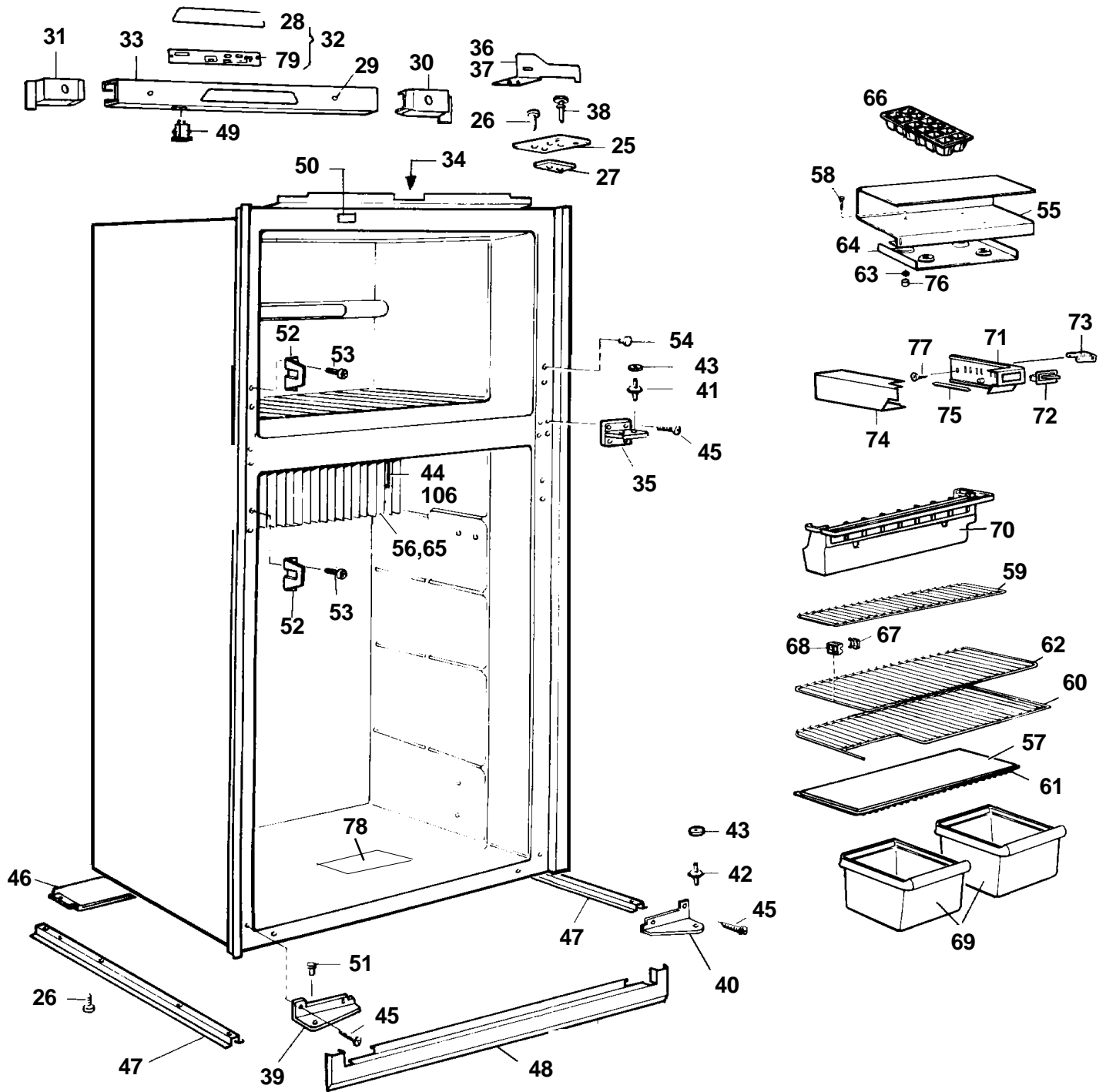
DOORS



Index #	Part No.	Description
1	2931636118	Door, upper
2	2931635110	Door, lower
3	2931171017	Bushing (4 req.)
4	2931512012	Washer (4 req.)
5	2931512020	Washer (4 req.)
6	2931510032	Plug (4 req.)
7	2930533019	Juice rack
8	7295229400	Screw, B4x16, zincplated (4 req.)
9	2931199018	Handle (2 req.)
10	7295225010	Screw, RXS, B4x10, zincplated (4 req.)
11	2930715038	Holder, bottle, approx. 7-1/2", gray/beige
12	2930715046	Holder, bottle, approx. 8", gray/beige
13	2007523000	Bar
14	2930757006	Decal
15	2002356000	Label "Important . . ."
16	2931162024	Strip, decoration
17	2931162172	Strip, decoration
18	2930558016	Shelf, door, brown
19	2000571196	Shelf, door (4 req.)
20	2931571018	Cover (2 req.)
21	2931620005	Label, "Warning: Improper installation"

A = RM2607	(921573001,921573101)
B = RM2607	(921573201,921573301)
	(921574001,921574101)

CABINET — FRONT VIEW

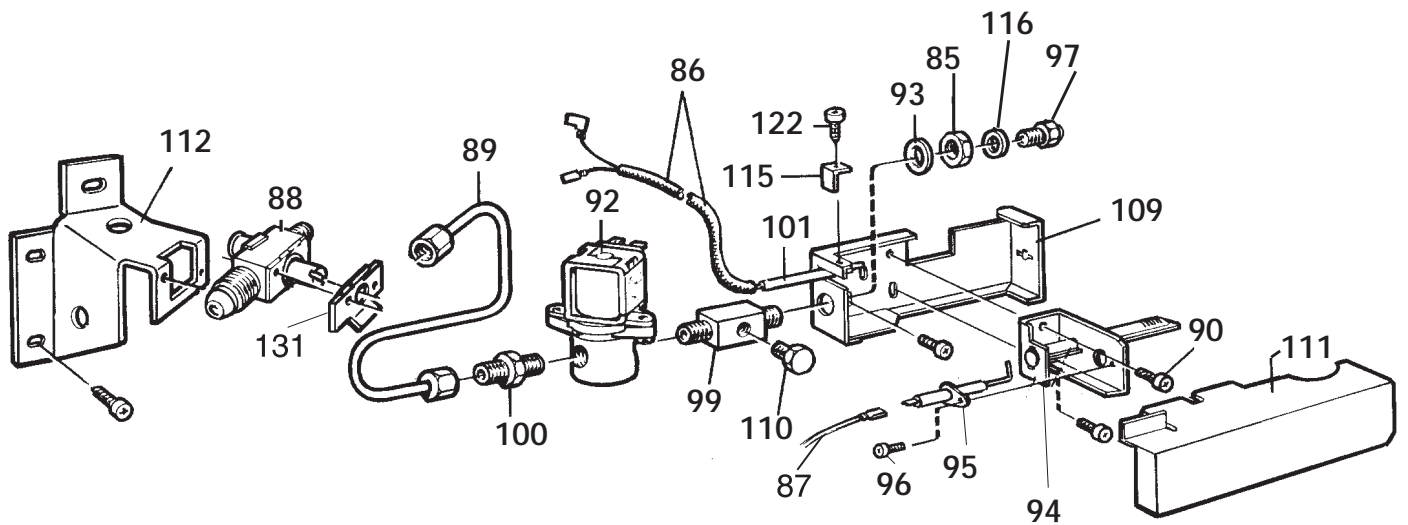
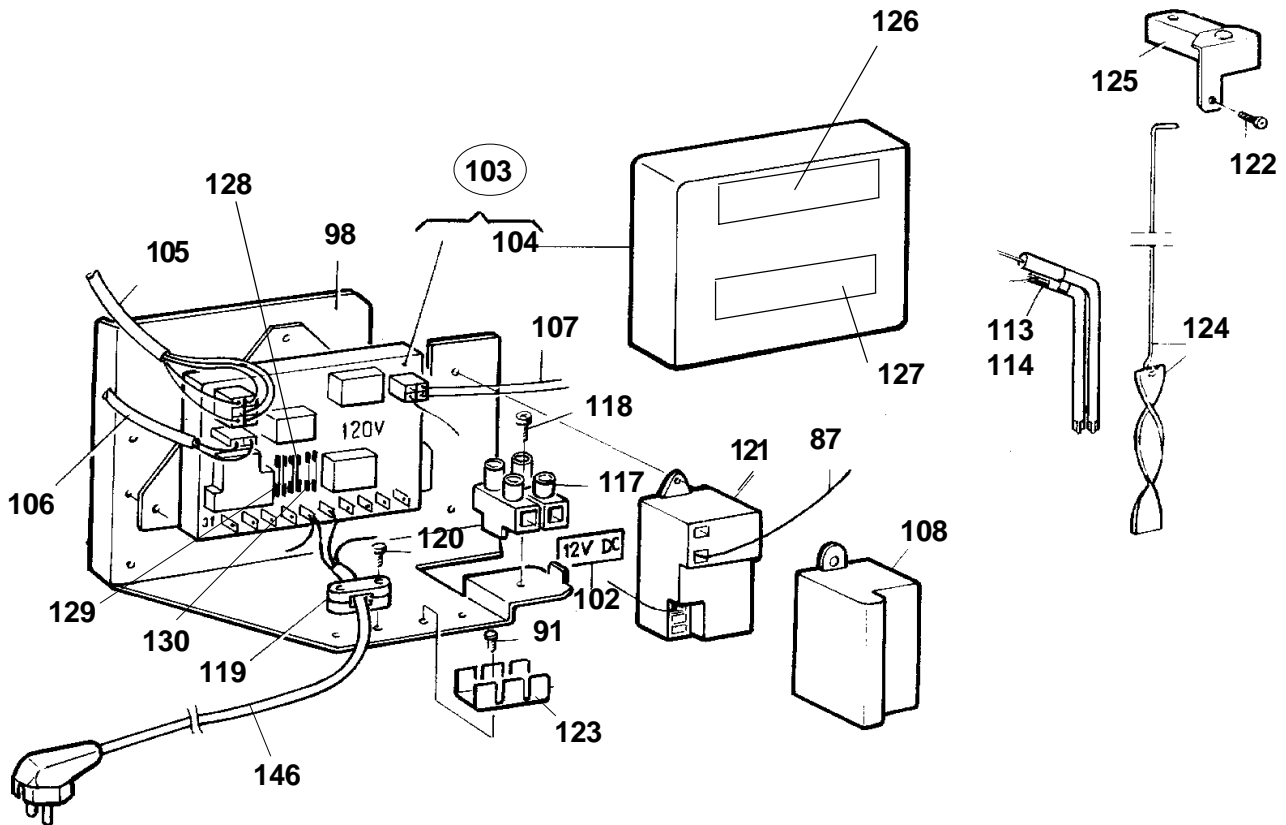


CABINET — FRONT VIEW

A = RM2607	(921573001,921573101)
B = RM2607	(921573201,921573301)
	(921574001,921574101)

Index #	Part No.			Description
25	2931291013	A	B	Hinge, upper (2 req.)
26	7241328611	A	B	Screw,M5x14,zincplated (4 req.)
27	2931292011	A	B	Spacer (2 req.)
28	0955000096	A	—	Plate, mounting w/decals 2-way
	0955000104	—	B	Plate, mounting w/decals 3-way
29	2930132069	A	B	Plug, gray/beige (2 req.)
30	2931866012	A	B	Cover, endplate RH
31	2931866020	A	B	Cover, endplate LH
32	2931844019	A	—	Printed circuit card, w/mtg. plate 2-way
	2931845016	—	B	Printed circuit card, w/mtg. plate 3-way
33	2931865105	A	B	Front
34	2931304006	A	B	Label "This refrigerator must be installed . . ."
35	2931289017	A	B	Hinge, middle
36	2932125012	A	B	Bracket, LH
37	2932125020	A	B	Bracket, RH
38	2931288019	A	B	Pin, hinge upper
39	2932111012	A	B	Hinge, LH
40	2932111020	A	B	Hinge, RH
41	2931287011	A	B	Pin, hinge middle
42	2931623017	A	B	Pin, lower hinge
43	7344904037	A	B	Washer, lower hinge
44	2931976019	A	B	Bracket, thermister
45	7243291619	A	B	Screw, M4x12 zincplated (14 req.)
46	2930664012	A	B	Plate, protection lwr. rear
47	2932110014	A	B	Runner (2 req.)
48	2932112036	A	B	Base front
49	2931876011	A	B	Switch, climate cntrl.
50	2932165000	A	B	Decal
51	2931284026	A	B	Plug
52	2931511014	A	B	Catch (2 req.)
53	7295221019	A	B	Screw, RXS, B4x6.5, zincplated (4 req.)
54	2931510032	A	B	Plug, cover gray/brown
55	2007535020	A	B	Shelf, frzr.
56	2007351006	A	B	Cooling flange
57	2931117044	A	B	Shelf, plastic
58	7252330134	A	B	Screw, M6S 5x20 FN
59	2002652234	A	B	Shelf D = 8"
60	2930133109	A	B	Shelf, wire
61	2002652218	A	B	Shelf D = 11.5"
62	2002652226	A	B	Shelf D = 12"
63	7312314409	A	B	Nut (4 req.)
64	2007649011	A	B	Plate, retaining
65	7295422112	A	B	Screw, RXSB 10x38 Ni. plated (3 req.)
66	2930400003	A	B	Ice tray, plastic
67	2007393024	A	B	Lock, shelf, outer
68	2007392026	A	B	Lock, shelf, inner
69	2002726038	A	B	Crisper (2 req.)
70	2931869016	A	B	Tray, drip
71	2932107010	A	B	Socket, lamp
72	2940825009	A	B	Switch, door (light)
73	2932108018	A	B	Pin, contact
74	2932106012	A	B	Cover, lamp
75	2007290006	A	B	Lamp bulb 12V/10W
76	2930487000	A	B	Cover (4 req.)
77	7295283407	A	B	Screw, RXS, B6X16 SS
78	2931882001	A	-	Decal
	2931883009	-	B	Decal
79	2931856013	A	B	Cap, push-button, beige (3 req.)
106	2931863035	A	B	Thermistor w/lead

BURNER & CONTROLS

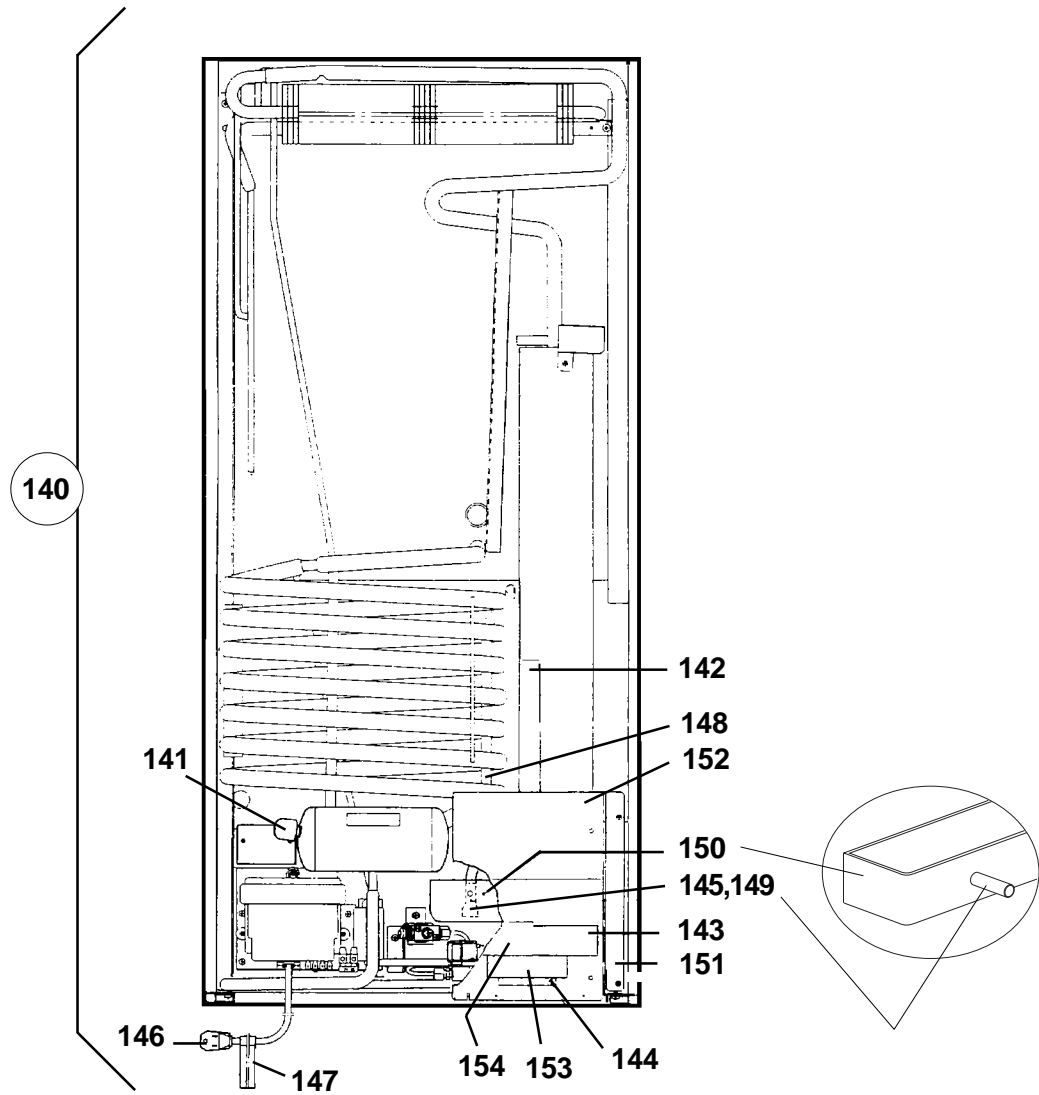


BURNER & CONTROLS

A = RM2607	(921573001, 921573101)
B = RM2607	(921573201, 921573301)
	(921574001, 921574101)

Index #	Part No.			Description
85	0140207044	A	B	Nut, F/orifice
86	2932001015	A	B	Hose/shld, t-cpl. lead
87	2007668052	A	B	Lead, electrode
88	2007709047	A	B	Valve, gas manual shutoff
89	2932117019	A	B	Tube, gas
90	7241287619	A	B	Screw, M4x8 zincplated (2 req.)
91	7241289615	A	B	Screw (2 req.)
92	2943298022	A	B	Valve, solenoid
93	7345842012	A	B	Washer
94	2930697020	A	B	Burner w/electrode
95	2930379009	A	B	Electrode
96	7295221019	A	B	Screw, RXS, B4x6.5 zincplated
97	2007419191	A	B	Burner jet #53
98	2931822015	A	B	Retainer, curcuit board
99	2931824011	A	B	Nipple, test
100	2932063015	A	B	Nipple, solenoid inlet
101	2931826016	A	B	Thermocouple
102	2931827006	A	B	Label, "12 VDC"
103	2931842039	A	-	Board, circuit 2way
	2931843045	-	B	Board, circuit 3way
104	2931858019	A	B	Cover, less decals PCB
105	2931862011	A	B	Lead, 5 wire PC board
106	2931863068	A	B	Thermister, w/lead 44"
107	2931864017	A	B	Lead, gas valve
108	2931886010	A	B	Cover, ignitor
109	2931913012	A	B	Housing, burner
110	0169380003	A	B	Plug, screw test
111	2931572016	A	B	Cover, burner
112	2932116011	A	B	Bracket, manual gas valve
113	0173754045	A	B	Heater 120V/295W
114	0173757063	-	B	Heater, 12V/215W
115	2930660010	A	B	Retainer
116	2007457001	A	B	Washer, orifice
117	2930463019	A	B	Terminal block 3way
118	7295287408	A	B	Screw, RXS, B6x25 stainless
119	0561014010	A	B	Clamp, saddle (strain relief) 2 req.
120	7295285402	A	B	Screw, RXS, B6x19, stainless (2 req.)
121	2931132019	A	B	Reignitor
122	7295279405	A	B	Screw B6x9, 5
123	2930327008	A	B	Strip, tab 6 pos.
124	2007590058	A	B	Baffle flue
125	2931540013	A	B	Flue top
126	2931503003	A	-	Decal 2way
	2932003003	-	B	Decal 3way
127	-- -- -- -- --	A	-	Decal 2way
	-- -- -- -- --	-	B	Decal 3way
128	2943542007	A	B	Fuse, 5 Amp
129	2943541009	A	B	Fuse, 3 Amp
130	-- -- -- -- --	-	B	Fuse, 35 Amp
131	2930811019	A	B	Washer protector
146	2002699060	A	B	Cord, power 110 VAC

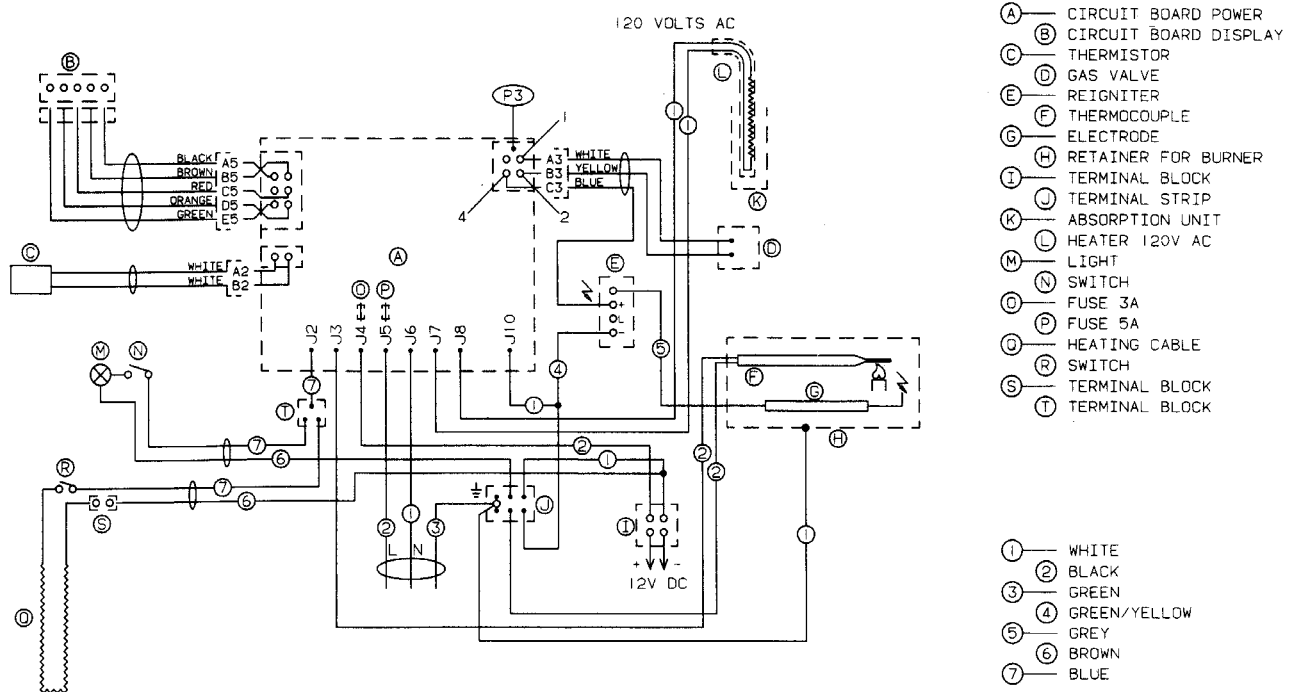
CABINET, REAR VIEW



CABINET, REAR VIEW

Index #	Part No.	Description
140	2934803095	Cooling unit, 803A
141	0173228008	Cap, filling
142	2933557015	Cover, heater
143	2931503003	Decal "Installation clearances"
144	2007574029	Decal "Install only . . . "
145	2932115013	Plug, drain hose
146	2002699060	Cord, power 110 VAC
147	2002576003	Label "Warning (Electrical Grounding Instructions)"
148	2931578070	Hose, drain
149	2931829010	Tube, outlet
150	2931828012	Tray, condensation
151	2930784018	Plate, protection
152	2930785015	Plate, protection
153	2002577001	Label "Warning . . . "
154	2007689009	Label "Important"

2-WAY WIRING DIAGRAM (Product No. 921573001, 921533101)



3-WAY WIRING DIAGRAM

(Product No. 921573201, 921573301, 921574001, 921574101)

