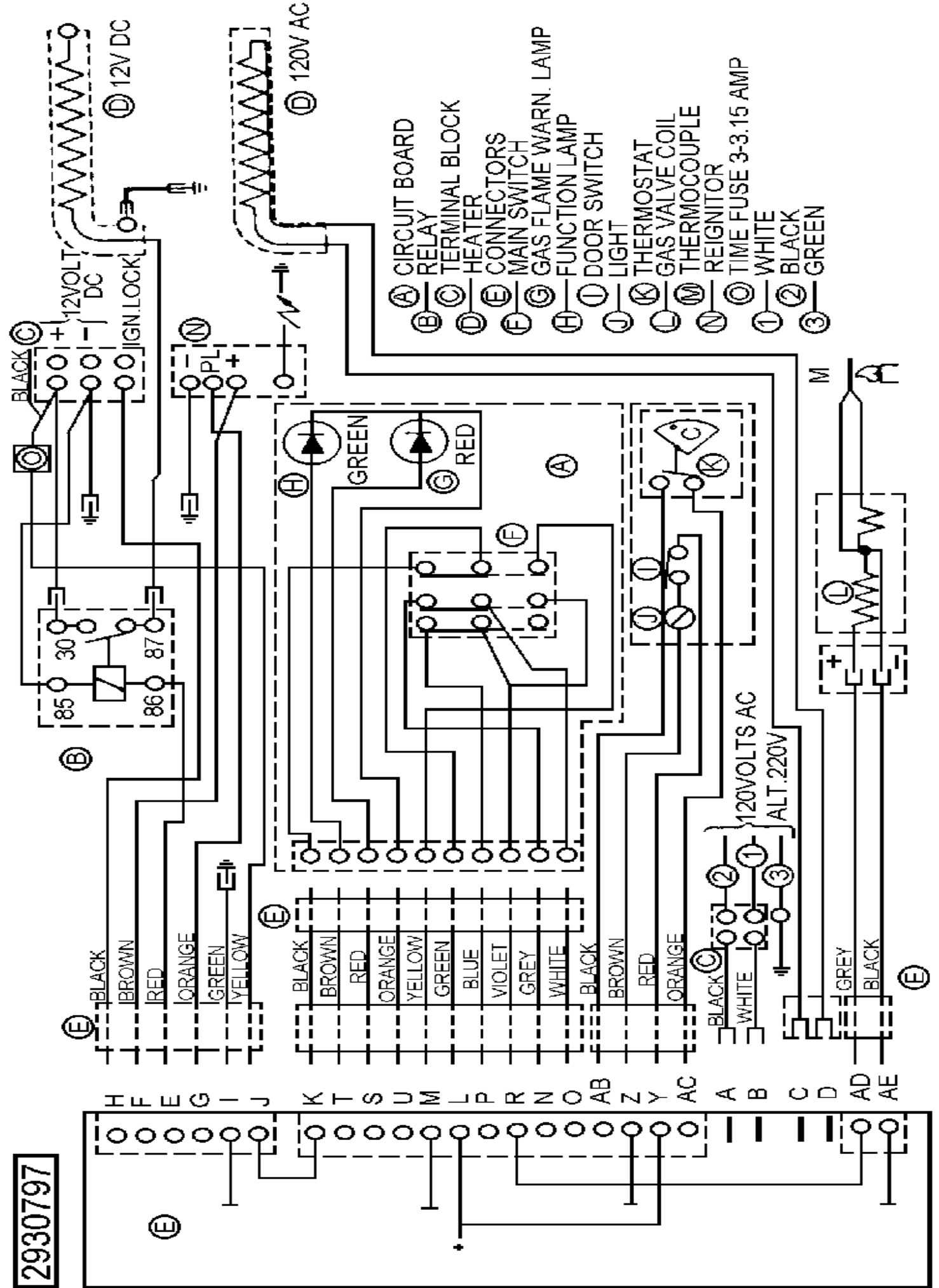


2930797



- (A) CIRCUIT BOARD
- (B) RELAY
- (C) TERMINAL BLOCK
- (D) HEATER
- (E) CONNECTORS
- (F) MAIN SWITCH
- (G) GAS FLAME WARN. LAMP
- (H) FUNCTION LAMP
- (I) DOOR SWITCH
- (J) LIGHT
- (K) THERMOSTAT
- (L) GAS VALVE COIL
- (M) THERMOCOUPLE
- (N) REINITIATOR
- (O) TIME FUSE 3-3.15 AMP
- (1) WHITE
- (2) BLACK
- (3) GREEN

