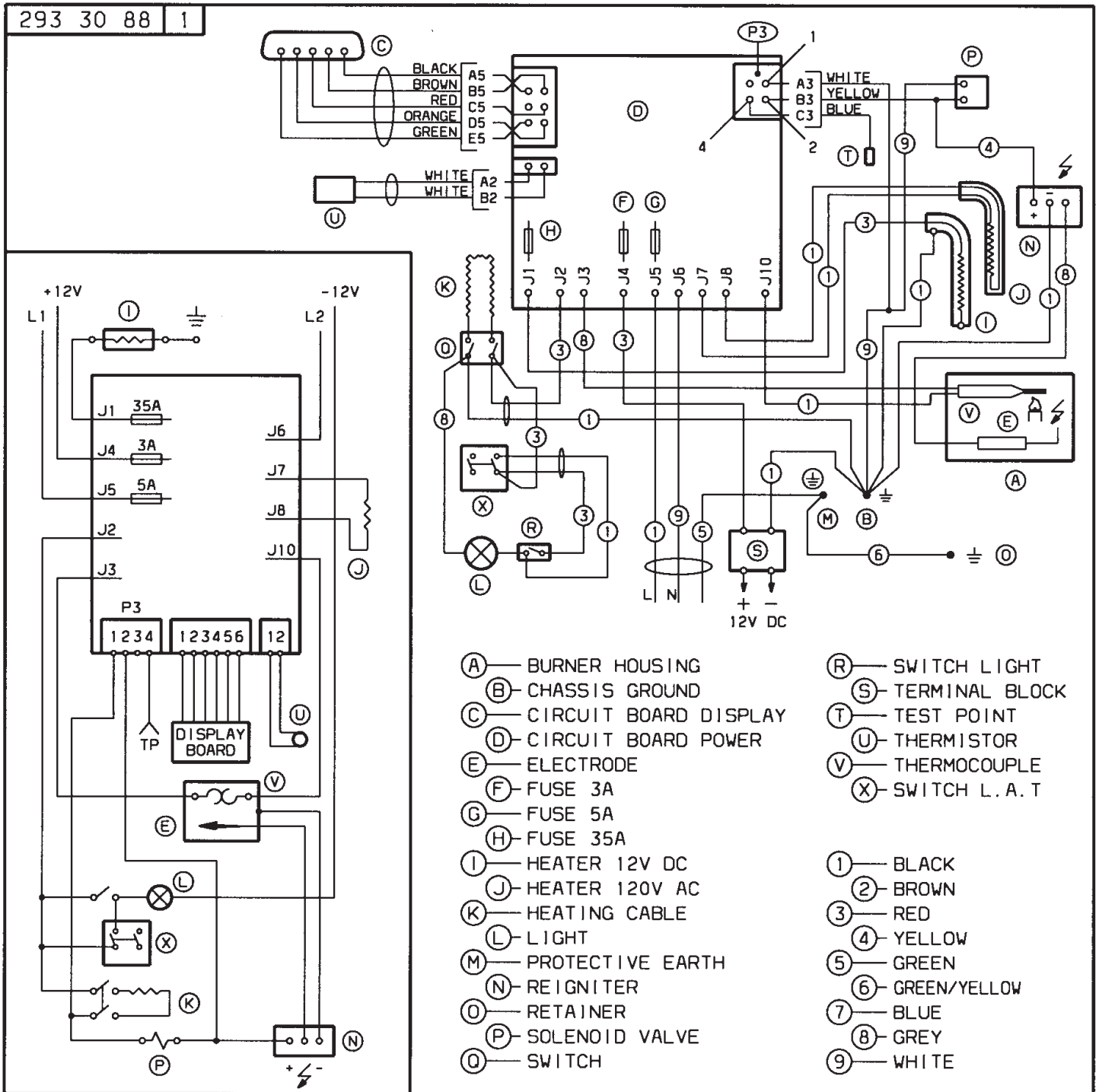
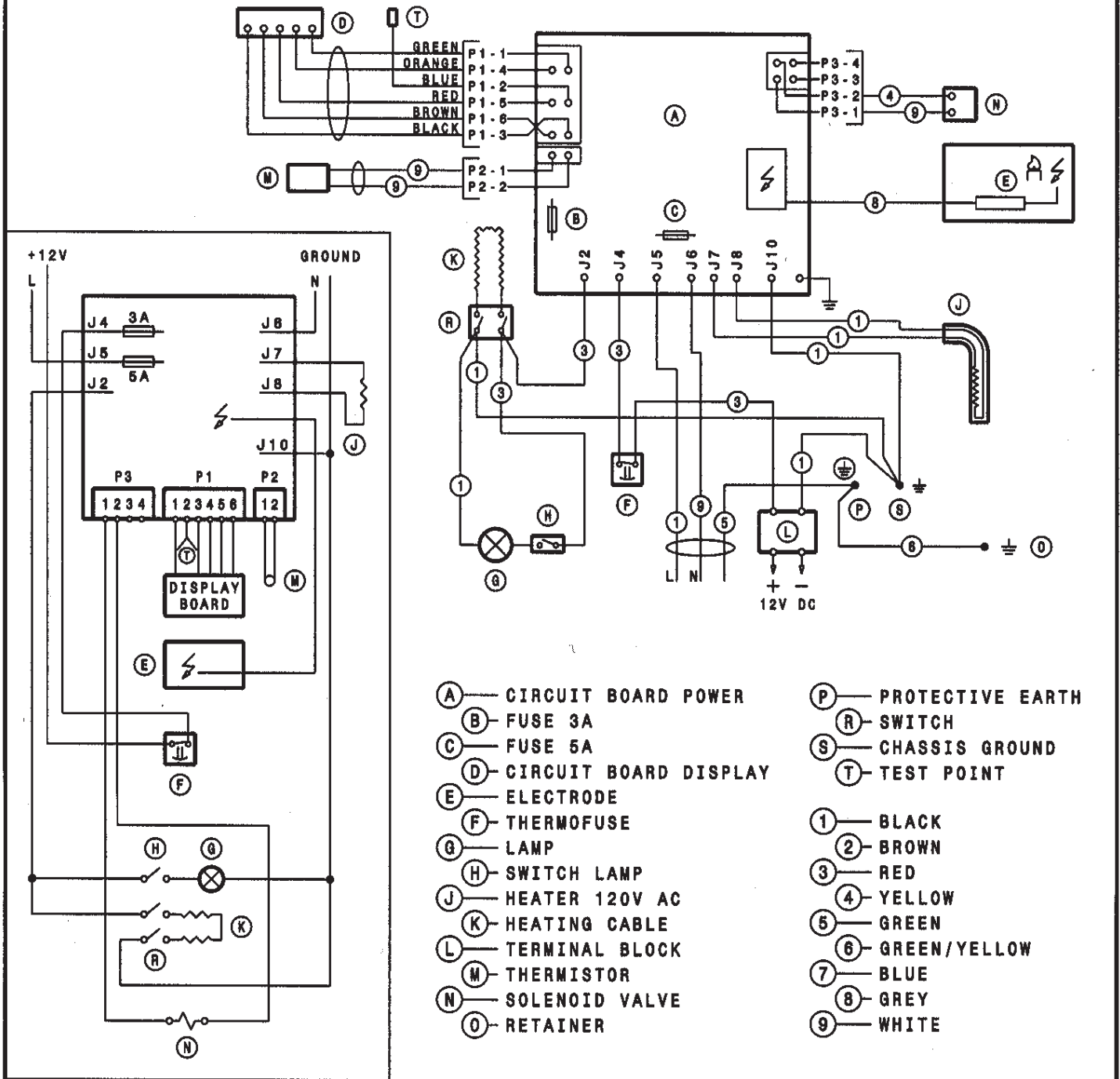


WIRING ORIGINAL STYLE CONTROL 3 / 2 WAY, 2 WAY WILL NOT HAVE A J1 TO DC HEATER



WIRING INTERGRATED IGNITER CONTROL
Part number 3850712013

385 07 64



N38507640